

Air-Conditioners For Building Application Inverter Y-Series

OUTDOOR UNIT
PUHY-P-YNW-A(-BS)
PUHY-EP-YNW-A(-BS)**CE****For use with R410A****INSTALLATION MANUAL**

For safe and correct use, please read this installation manual thoroughly before installing the air-conditioner unit.

INSTALLATIONSHANDBUCH

Zum sicheren und ordnungsgemäßen Gebrauch der Klimageräte das Installationshandbuch gründlich durchlesen.

MANUEL D'INSTALLATION

Veillez lire le manuel d'installation en entier avant d'installer ce climatiseur pour éviter tout accident et vous assurer d'une utilisation correcte.

MANUAL DE INSTALACIÓN

Para un uso seguro y correcto, lea detalladamente este manual de instalación antes de montar la unidad de aire acondicionado.

MANUALE DI INSTALLAZIONE

Per un uso sicuro e corretto, leggere attentamente questo manuale di installazione prima di installare il condizionatore d'aria.

INSTALLATIEHANDLEIDING

Voor een veilig en juist gebruik moet u deze installatiehandleiding grondig doorlezen voordat u de airconditioner installeert.

MANUAL DE INSTALAÇÃO

Para segurança e utilização correctas, leia atentamente este manual de instalação antes de instalar a unidade de ar condicionado.

ΕΓΧΕΙΡΙΔΙΟ ΟΔΗΓΙΩΝ ΕΓΚΑΤΑΣΤΑΣΗΣ

Για ασφάλεια και σωστή χρήση, παρακαλείσθε διαβάσετε προσεχτικά αυτό το εγχειρίδιο εγκατάστασης πριν αρχίσετε την εγκατάσταση της μονάδας κλιματισμού.

РУКОВОДСТВО ПО УСТАНОВКЕ

Для осторожного и правильного использования прибора необходимо тщательно ознакомиться с данным руководством по установке до выполнения установки кондиционера.

MONTAJ ELKİTABI

Emniyetli ve doğru biçimde nasıl kullanılacağını öğrenmek için lütfen klima cihazını monte etmeden önce bu elkitabını dikkatle okuyunuz.

安装手册

为了安全和正确地使用本空调器，请在安装前仔细阅读本安装手册。

PŘÍRUČKA K INSTALACI

V zájmu bezpečného a správného používání si před instalací klimatizační jednotky důkladně pročtěte tuto příručku k instalaci.

NÁVOD NA INŠTALÁCIU

Pre bezpečné a správne použitie si pred inštalovaním klimatizačnej jednotky, prosím, starostlivo prečítajte tento návod na inštaláciu.

TELEPÍTÉSI KÉZIKÖNYV

A biztonságos és helyes használatához, kérjük, olvassa el alaposan ezt a telepítési kézikönyvet, mielőtt telepítené a légkondicionáló egységet.

PODRĘCZNIK INSTALACJI

W celu bezpiecznego i poprawnego korzystania należy przed zainstalowaniem klimatyzatora dokładnie zapoznać się z niniejszym podręcznikiem instalacji.

PRIROČNIK ZA NAMESTITEV

Za varno in pravilno uporabo pred namestitvijo klimatske naprave skrbno preberite priročnik za namestitev.

INSTALLATIONSHANDBOK

Läs den här installationshandboken noga innan luftkonditioneringsenheten installeras, för säker och korrekt användning.

PRIRUČNIK ZA UGRADNJU

Radi sigurne i ispravne uporabe, temeljito pročítajte ovaj priručnik prije ugradnje klimatizacijskog uređaja.

РЪКОВОДСТВО ЗА МОНТАЖ

За безопасна и правилна употреба, моля, прочетете внимателно това ръководство преди монтажа на климатизатора.

MANUAL CU INSTRUCȚIUNI DE INSTALARE

Pentru o utilizare corectă și sigură, vă rugăm să citiți cu atenție acest manual înainte de a instala unitatea de aer condiționat.

INSTALLATIONSMANUAL

Læs venligst denne installationsmanual grundigt, før De installerer aircondition anlægget, af hensyn til sikker og korrekt anvendelse.

INSTALLASJONSHÅNDBOK

For sikker og riktig bruk, skal du lese denne installasjonshåndboken nøye før du installerer klimaanlegget.

GB

D

F

E

I

NL

P

GR

RU

TR

中

CZ

SV

HG

PO

SL

SW

HR

BG

RO

DK



NO

CONTENTS

| | |
|---|-----------|
| 1. Safety precautions | 2 |
| 1-1. General precautions..... | 2 |
| 1-2. Precautions for transporting the unit..... | 3 |
| 1-3. Precautions for unit installation..... | 4 |
| 1-4. Precautions for piping work..... | 4 |
| 1-5. Precautions for electrical wiring | 5 |
| 1-6. Precautions for relocating or repairing the unit..... | 5 |
| 1-7. Additional precautions..... | 6 |
| 2. About the product | 8 |
| 3. Combination of outdoor units | 8 |
| 4. Specifications | 10 |
| 5. Package contents | 13 |
| 6. Transporting the unit | 14 |
| 7. Installation location | 15 |
| 7-1. Single unit installation | 15 |
| 7-2. Multiple unit installation..... | 16 |
| 8. Foundation work | 18 |
| 9. Refrigerant piping work | 20 |
| 9-1. Restrictions | 20 |
| 9-2. Pipe selection..... | 22 |
| 9-3. Twinning kit selection | 23 |
| 9-4. Pipe connection example..... | 23 |
| 9-5. Piping connections and valve operations | 28 |
| 9-6. Air-tightness test | 32 |
| 9-7. Thermal insulation for pipes..... | 33 |
| 9-8. Evacuation of the system..... | 35 |
| 9-9. Additional refrigerant charge..... | 36 |
| 10. Electrical work | 40 |
| 10-1. Before electrical work..... | 40 |
| 10-2. Power cables and device capacity..... | 40 |
| 10-3. Control cable specifications | 43 |
| 10-4. System configuration | 43 |
| 10-5. Wiring connections in the control box | 46 |
| 10-6. Address setting | 51 |
| 11. Test run | 52 |
| 11-1. Before a test run..... | 52 |
| 11-2. Function setting..... | 53 |
| 11-3. Operation characteristics in relation to the refrigerant charge | 54 |
| 11-4. Operation check | 54 |
| 12. Inspection and maintenance | 55 |
| 13. Rating plate information | 56 |

1. Safety precautions

- ▶ Read and observe the safety precautions below and the instructions provided on the labels affixed to the unit.
- ▶ Retain this manual for future reference. Make sure that this manual is passed on to the end users.
- ▶ All refrigerant piping work, electrical work, air-tightness test, and brazing work must be performed by qualified personnel.
- ▶ Incorrect use may result in serious injury.

| | |
|--|--|
|  WARNING | : indicates a hazardous situation which, if not avoided, could result in death or serious injury. |
|  CAUTION | : indicates a hazardous situation which, if not avoided, could result in minor or moderate injury. |
| CAUTION | : addresses practices not related to personal injury, such as product and/or property damage. |

1-1. General precautions

WARNING

Do not use any refrigerant other than the type indicated in the manuals for the unit and on the nameplate.

- Doing so will cause the unit or pipes to burst, or result in an explosion or fire during use, during repairs, or at the time of disposal of the unit.
- It may also be in violation of applicable laws.
- MITSUBISHI ELECTRIC CORPORATION cannot be held responsible for malfunctions or accidents resulting from the use of the wrong type of refrigerant.

Do not use the unit in an unusual environment.

- If the unit is used in areas exposed to large amounts of oil, steam, organic solvents, or corrosive gases (such as ammonia, sulfuric compounds, or acids), or areas where acidic/alkaline solutions or special chemical sprays are used frequently, it may significantly reduce the performance and corrode the internal parts, resulting in refrigerant leakage, water leakage, injury, electric shock, malfunction, smoke, or fire.

Do not change the settings of the safety or protection devices.

- Forcing the unit to operate by disabling the safety devices, such as the pressure switch or the thermal switch, may result in bursting, fire, or explosion.
- Operating the unit with a safety device whose settings have been changed may result in bursting, fire, or explosion.
- Using safety devices other than those specified by Mitsubishi Electric may result in bursting, fire, or explosion.

Do not alter or modify the unit.

- Doing so will result in refrigerant leakage, water leakage, serious injury, electric shock, or fire.

Do not wet the electrical parts.

- Doing so may result in current leakage, electric shock, malfunction, or fire.

Do not touch the electrical parts, switches, or buttons with wet fingers.

- Doing so may result in electric shock, malfunction, or fire.

Do not touch the refrigerant pipes and refrigerant line components with bare hands during and immediately after operation.

- The refrigerant in the pipes will be very hot or very cold, resulting in frostbite or burns.

Do not touch the electrical parts with bare hands during and immediately after operation.

- Doing so may result in burns.

Ventilate the room while servicing the unit.

- If the refrigerant leaks, oxygen deficiency may result. If the leaked refrigerant comes in contact with a heat source, toxic gas will be generated.

If you notice any abnormality (e.g., a burning smell), stop the operation, turn off the power switch, and consult your dealer.

- Continuing the operation may result in electric shock, malfunction, or fire.

Properly install all required covers and panels on the terminal box and the control box.

- If dust or water enters the unit, this may result in electric shock or fire.

Periodically check the unit base for damage.

- If the damage is left uncorrected, the unit will fall and cause serious injury.

Consult your dealer for the proper disposal of the unit.

- The refrigerant oil and the refrigerant in the unit will pose a risk of environmental pollution, fire, or explosion.

CAUTION

Children should be supervised to ensure that they do not play with the appliance.

Do not operate the unit with the panels and guards removed.

- Rotating, hot, or high-voltage parts may cause injury, electric shock, or fire.

Do not touch fans, heat exchanger fins, or the sharp edges of components with bare hands.

- Doing so may result in injury.

Wear protective gloves when working on the unit.

- Failure to do so may result in injury.
- High-pressure pipes poses a risk of burns if touched with bare hands while the unit is in operation.

1-2. Precautions for transporting the unit

WARNING

When lifting the unit, pass the slings through the four designated sling holes.

- Improper lifting will cause the unit to topple or fall, resulting in serious injury.

CAUTION

Do not lift the unit with the PP bands that are used on some products.

- Doing so may result in injury.

Observe the restrictions on the maximum weight that a person can lift, which is specified in local regulations.

- Failure to do so may result in injury.

1-3. Precautions for unit installation

WARNING

Do not install the unit where combustible gas may leak.

- If combustible gas accumulates around the unit, fire or explosion may result.

Do not allow children to play with the packing materials.

- Suffocation or serious injury may result.

Cut up the packing materials before disposal.

All installation work must be performed by qualified personnel in accordance with this manual.

- Improper installation may result in refrigerant leakage, water leakage, serious injury, electric shock, or fire.

If the air conditioner is installed in a small room, take measures to prevent the refrigerant concentration from exceeding the safety limit in the event of refrigerant leakage.

- Consult your dealer regarding the appropriate measures to prevent the allowable concentration from being exceeded. If the refrigerant leaks and the allowable concentration is exceeded, hazards due to a lack of oxygen in the room will result.

Install the unit in accordance with the instructions to minimize the risk of damage from earthquakes and strong winds.

- Improper installation will cause the unit to topple, resulting in serious injury.

The unit must be securely installed on a structure that can sustain its weight.

- Failure to do so will cause the unit to fall, resulting in serious injury.

CAUTION

Seal all openings around pipes and wires to keep out small animals, rainwater, or snow.

- Failure to do so may result in current leakage, electric shock, or damage to the unit.

1-4. Precautions for piping work

WARNING

Before heating the brazed sections, remove the gas and oil that are trapped in the pipes.

- Failure to do so may generate fire, resulting in serious injury.

Do not purge the air using refrigerant. Use a vacuum pump to evacuate the system.

- Residual gas in the refrigerant lines will cause bursting of the pipes or an explosion.

Do not use oxygen, flammable gas, or a refrigerant containing chlorine for air-tightness testing.

- Doing so may result in an explosion. Chlorine will deteriorate the refrigerant oil.

When installing or relocating the unit, do not allow air or any substance other than the specified refrigerant to enter the refrigerant lines.

- Any substance other than the specified refrigerant may cause abnormally high pressure in the refrigerant lines, resulting in bursting of the pipes or an explosion.

After the installation has been completed, check for refrigerant leaks.

- If the refrigerant leaks, oxygen starvation may result. If the leaked refrigerant comes in contact with a heat source, toxic gas will be generated.

1-5. Precautions for electrical wiring

WARNING

Include some slack in the power cables.

- Failure to do so may break or overheat the cables, resulting in smoke or fire.

Connections must be made securely and without tension on the terminals.

- Improperly connected cables may break, overheat, or cause smoke or fire.

Tighten all terminal screws to the specified torque.

- Loose screws and contact failure may result in smoke or fire.

Electrical work must be performed by qualified personnel in accordance with local regulations and the instructions provided in this manual. Only use the specified cables and dedicated circuits.

- Inadequate power source capacity or improper electrical work will result in electric shock, malfunction, or fire.

Install an inverter circuit breaker on the power supply of each unit.

- Failure to do so may result in electric shock or fire.

Only use properly rated breakers (an earth leakage breaker, local switch <a switch + fuse that meets local electrical codes>, or overcurrent breaker).

- Failure to do so may result in electric shock, malfunction, smoke, or fire.

Only use standard power cables of sufficient capacity.

- Failure to do so may result in current leakage, overheating, smoke, or fire.

Proper grounding must be provided by qualified personnel.

- Improper grounding may result in electric shock, fire, explosion, or malfunction due to electrical noise. Do not connect the ground wire to gas or water pipes, lightning rods, or telephone ground wires.

CAUTION

After the wiring work has been completed, measure the insulation resistance, and make sure that it reads at least 1 MΩ.

- Failure to do so may result in electric leakage, malfunction, or fire.

1-6. Precautions for relocating or repairing the unit

WARNING

Only qualified personnel must relocate or repair the unit. Do not attempt to disassemble or alter the unit.

- Failure to do so will result in refrigerant leakage, water leakage, serious injury, electric shock, or fire.

Do not service the unit in the rain.

- Doing so may result in electric leakage, electric shock, wire shorting, malfunction, smoke, or fire.

1-7. Additional precautions

CAUTION

Do not turn off the power immediately after stopping operation.

- Wait for at least five minutes after the unit has stopped before turning off the power. Failure to do so may result in drain water leakage or the mechanical failure of sensitive parts.

The unit must be periodically inspected by a dealer or qualified personnel.

- If dust or dirt accumulates inside the unit, the drain pipes may become clogged, and water leakage from the pipes may wet the surroundings and generate odours.

Turn on the power at least 12 hours before starting operation. Keep the power turned on throughout the operating season.

- Insufficient energizing will result in malfunction.

Do not use the air conditioner for special purposes (e.g. keeping food, animals, plants, precision devices, or art objects in a room).

- Such items could be damaged or deteriorated.

Collect the refrigerant and properly dispose of it in accordance with local regulations.

Do not install the unit on or over items that are subject to water damage.

- When the room humidity exceeds 80% or if the drain pipe is clogged, condensation may collect and drip from the indoor unit onto the ceiling or floor.

Drain piping must be installed by a dealer or qualified personnel to ensure proper drainage.

- Improper drain piping may cause water leakage, resulting in damage to furniture and other surroundings.

Take appropriate measures against electrical noise interference when installing the unit in hospitals or radio communication facilities.

- Inverter, high-frequency medical, or wireless communication equipment as well as power generators may cause the air conditioning system to malfunction. The air conditioning system may also adversely affect the operation of these types of equipment by creating electrical noise.

Insulate pipes to prevent condensation.

- Condensation may collect and drip from the unit onto the ceiling or floor.

Keep the service valves closed until refrigerant charging is completed.

- Failure to do so will damage the unit.

Place a wet towel on the service valves before brazing the pipes to keep the temperature of the valves from rising above 120°C (248°F).

- Failure to do so may result in equipment damage.

Keep the flame out of contact with the cables and metal sheet when brazing the pipes.

- Failure to do so may result in burnout or malfunction.

Use the following tools specifically designed for use with the specified refrigerant: Gauge manifold, charge hose, gas leak detector, check valve, refrigerant charge base, vacuum gauge, and refrigerant recovery equipment.

- Gas leak detectors for conventional refrigerants will not react to a refrigerant that does not contain chlorine.
- If the specified refrigerant is mixed with water, refrigerant oil, or another refrigerant, the refrigerant oil will deteriorate and the compressor will malfunction.

Use a vacuum pump with a check valve.

- If the vacuum pump oil flows back into the refrigerant lines, the refrigerant oil may deteriorate and the compressor may malfunction.

Keep tools clean.

- If dust, dirt, or water accumulates on the charging hose or the flare processing tool, the refrigerant will deteriorate and the compressor will malfunction.

Use refrigerant piping made of phosphorus deoxidized copper (copper and copper alloy seamless pipes) that meets local requirements. Pipe joints should also meet local requirements. Keep the inner and outer surfaces of the pipes clean and free of sulphur, oxides, dust/dirt, shaving particles, oils, moisture, or any other contaminants.

- Contaminants on the inside of the refrigerant piping will cause the refrigerant oil to deteriorate and cause the compressor to malfunction.

Store pipes indoors, and keep both ends of the pipes sealed until just before making a flare connection or brazing. (Store elbows and other joints in plastic bags.)

- If dust, dirt, or water enters the refrigerant lines, the refrigerant oil will deteriorate and the compressor will malfunction.

Braze the pipes with a nitrogen purge to avoid oxidation.

- Oxidized flux inside the refrigerant pipes will cause the refrigerant oil to deteriorate and cause the compressor to malfunction.

Do not use existing refrigerant piping.

- The old refrigerant and refrigerant oil in the existing piping contain a large amount of chlorine, which will cause the refrigerant oil in the new unit to deteriorate and cause the compressor to malfunction.

Charge refrigerant in a liquid state.

- Charging refrigerant in the gaseous state will change the composition of the refrigerant and lead to a performance drop.

Do not use a charging cylinder when charging refrigerant.

- The use of a charging cylinder may change the composition of the refrigerant and lead to a performance drop.

If a large electric current flows due to a malfunction or faulty wiring, earth-leakage breakers on the unit side and on the upstream side of the power supply system could both operate. Depending on the importance of the system, separate the power supply system or take protective coordination of breakers.

This appliance is intended to be used by expert or trained users in shops, in light industry and on farms, or for commercial use by lay persons.

This appliance is not intended for use by persons (including children) with reduced physical, sensory or mental capabilities, or lack of experience and knowledge, unless they have been given supervision or instruction concerning use of the appliance by a person responsible for their safety.

Only qualified personnel may touch the USB port in the control box.

2. About the product

- The outdoor unit described in this manual is air-conditioning equipment that is designed only for human comfort.
- The numeric values in the unit model name (e.g., PUHY-P***YNW-A, PUHY-EP***YNW-A) indicate the capacity index of the unit.
- This unit uses R410A refrigerant.

3. Combination of outdoor units

(1) P models

| Outdoor unit model | Combination of outdoor units | | |
|-----------------------|------------------------------|---------------------|---------------------|
| PUHY-P200YNW-A(-BS) | - | - | - |
| PUHY-P250YNW-A(-BS) | - | - | - |
| PUHY-P300YNW-A(-BS) | - | - | - |
| PUHY-P350YNW-A(-BS) | - | - | - |
| PUHY-P400YNW-A(-BS) | - | - | - |
| PUHY-P450YNW-A(-BS) | - | - | - |
| PUHY-P500YNW-A(-BS) | - | - | - |
| PUHY-P400YSNW-A(-BS) | PUHY-P200YNW-A(-BS) | PUHY-P200YNW-A(-BS) | - |
| PUHY-P450YSNW-A(-BS) | PUHY-P250YNW-A(-BS) | PUHY-P200YNW-A(-BS) | - |
| PUHY-P500YSNW-A(-BS) | PUHY-P250YNW-A(-BS) | PUHY-P250YNW-A(-BS) | - |
| PUHY-P550YSNW-A(-BS) | PUHY-P300YNW-A(-BS) | PUHY-P250YNW-A(-BS) | - |
| PUHY-P600YSNW-A(-BS) | PUHY-P300YNW-A(-BS) | PUHY-P300YNW-A(-BS) | - |
| PUHY-P650YSNW-A(-BS) | PUHY-P400YNW-A(-BS) | PUHY-P250YNW-A(-BS) | - |
| PUHY-P700YSNW-A(-BS) | PUHY-P350YNW-A(-BS) | PUHY-P350YNW-A(-BS) | - |
| PUHY-P750YSNW-A(-BS) | PUHY-P400YNW-A(-BS) | PUHY-P350YNW-A(-BS) | - |
| PUHY-P800YSNW-A(-BS) | PUHY-P450YNW-A(-BS) | PUHY-P350YNW-A(-BS) | - |
| PUHY-P850YSNW-A(-BS) | PUHY-P450YNW-A(-BS) | PUHY-P400YNW-A(-BS) | - |
| PUHY-P900YSNW-A(-BS) | PUHY-P450YNW-A(-BS) | PUHY-P450YNW-A(-BS) | - |
| PUHY-P950YSNW-A(-BS) | PUHY-P350YNW-A(-BS) | PUHY-P350YNW-A(-BS) | PUHY-P250YNW-A(-BS) |
| PUHY-P1000YSNW-A(-BS) | PUHY-P400YNW-A(-BS) | PUHY-P350YNW-A(-BS) | PUHY-P250YNW-A(-BS) |
| PUHY-P1050YSNW-A(-BS) | PUHY-P400YNW-A(-BS) | PUHY-P400YNW-A(-BS) | PUHY-P250YNW-A(-BS) |
| PUHY-P1100YSNW-A(-BS) | PUHY-P400YNW-A(-BS) | PUHY-P350YNW-A(-BS) | PUHY-P350YNW-A(-BS) |
| PUHY-P1150YSNW-A(-BS) | PUHY-P400YNW-A(-BS) | PUHY-P400YNW-A(-BS) | PUHY-P350YNW-A(-BS) |
| PUHY-P1200YSNW-A(-BS) | PUHY-P400YNW-A(-BS) | PUHY-P400YNW-A(-BS) | PUHY-P400YNW-A(-BS) |
| PUHY-P1250YSNW-A(-BS) | PUHY-P450YNW-A(-BS) | PUHY-P400YNW-A(-BS) | PUHY-P400YNW-A(-BS) |
| PUHY-P1300YSNW-A(-BS) | PUHY-P450YNW-A(-BS) | PUHY-P450YNW-A(-BS) | PUHY-P400YNW-A(-BS) |
| PUHY-P1350YSNW-A(-BS) | PUHY-P450YNW-A(-BS) | PUHY-P450YNW-A(-BS) | PUHY-P450YNW-A(-BS) |

* "Twinning Kit" is required to connect combination units on site.

(2) EP models

| Outdoor unit model | Combination of outdoor units | | |
|------------------------|------------------------------|----------------------|----------------------|
| PUHY-EP200YNW-A(-BS) | - | - | - |
| PUHY-EP250YNW-A(-BS) | - | - | - |
| PUHY-EP300YNW-A(-BS) | - | - | - |
| PUHY-EP350YNW-A(-BS) | - | - | - |
| PUHY-EP400YNW-A(-BS) | - | - | - |
| PUHY-EP450YNW-A(-BS) | - | - | - |
| PUHY-EP500YNW-A(-BS) | - | - | - |
| PUHY-EP400YSNW-A(-BS) | PUHY-EP200YNW-A(-BS) | PUHY-EP200YNW-A(-BS) | - |
| PUHY-EP450YSNW-A(-BS) | PUHY-EP250YNW-A(-BS) | PUHY-EP200YNW-A(-BS) | - |
| PUHY-EP500YSNW-A(-BS) | PUHY-EP250YNW-A(-BS) | PUHY-EP250YNW-A(-BS) | - |
| PUHY-EP550YSNW-A(-BS) | PUHY-EP300YNW-A(-BS) | PUHY-EP250YNW-A(-BS) | - |
| PUHY-EP600YSNW-A(-BS) | PUHY-EP300YNW-A(-BS) | PUHY-EP300YNW-A(-BS) | - |
| PUHY-EP650YSNW-A(-BS) | PUHY-EP400YNW-A(-BS) | PUHY-EP250YNW-A(-BS) | - |
| PUHY-EP700YSNW-A(-BS) | PUHY-EP350YNW-A(-BS) | PUHY-EP350YNW-A(-BS) | - |
| PUHY-EP750YSNW-A(-BS) | PUHY-EP400YNW-A(-BS) | PUHY-EP350YNW-A(-BS) | - |
| PUHY-EP800YSNW-A(-BS) | PUHY-EP450YNW-A(-BS) | PUHY-EP350YNW-A(-BS) | - |
| PUHY-EP850YSNW-A(-BS) | PUHY-EP450YNW-A(-BS) | PUHY-EP400YNW-A(-BS) | - |
| PUHY-EP900YSNW-A(-BS) | PUHY-EP450YNW-A(-BS) | PUHY-EP450YNW-A(-BS) | - |
| PUHY-EP950YSNW-A(-BS) | PUHY-EP350YNW-A(-BS) | PUHY-EP350YNW-A(-BS) | PUHY-EP250YNW-A(-BS) |
| PUHY-EP1000YSNW-A(-BS) | PUHY-EP400YNW-A(-BS) | PUHY-EP350YNW-A(-BS) | PUHY-EP250YNW-A(-BS) |
| PUHY-EP1050YSNW-A(-BS) | PUHY-EP400YNW-A(-BS) | PUHY-EP400YNW-A(-BS) | PUHY-EP250YNW-A(-BS) |
| PUHY-EP1100YSNW-A(-BS) | PUHY-EP400YNW-A(-BS) | PUHY-EP350YNW-A(-BS) | PUHY-EP350YNW-A(-BS) |
| PUHY-EP1150YSNW-A(-BS) | PUHY-EP400YNW-A(-BS) | PUHY-EP400YNW-A(-BS) | PUHY-EP350YNW-A(-BS) |
| PUHY-EP1200YSNW-A(-BS) | PUHY-EP400YNW-A(-BS) | PUHY-EP400YNW-A(-BS) | PUHY-EP400YNW-A(-BS) |
| PUHY-EP1250YSNW-A(-BS) | PUHY-EP450YNW-A(-BS) | PUHY-EP400YNW-A(-BS) | PUHY-EP400YNW-A(-BS) |
| PUHY-EP1300YSNW-A(-BS) | PUHY-EP450YNW-A(-BS) | PUHY-EP450YNW-A(-BS) | PUHY-EP400YNW-A(-BS) |
| PUHY-EP1350YSNW-A(-BS) | PUHY-EP450YNW-A(-BS) | PUHY-EP450YNW-A(-BS) | PUHY-EP450YNW-A(-BS) |

* "Twinning Kit" is required to connect combination units on site.

GB

4. Specifications

(1) P models

| Model | | PUHY-P200YNW-A | PUHY-P250YNW-A | PUHY-P300YNW-A | PUHY-P350YNW-A | PUHY-P400YNW-A | PUHY-P450YNW-A |
|--|----------------|----------------|---|----------------|----------------|----------------|----------------|
| Power input | Cooling | 4.24 | 5.78 | 7.66 | 9.87 | 11.47 | 12.22 |
| | Heating | 4.58 | 6.04 | 7.86 | 10.51 | 13.40 | 13.42 |
| Sound pressure level ³ (50/60 Hz) | | 58.0 dB <A> | 60.0 dB <A> | 61.0 dB <A> | 62.0 dB <A> | 65.0 dB <A> | 65.5 dB <A> |
| External static pressure | | 0 Pa*2 | | | | | |
| Indoor unit | Total capacity | 50% to 130%*1 | | | | | |
| | Model | 15 to 250 | | | | | |
| | Quantity | 1 to 17 | 1 to 21 | 1 to 26 | 1 to 30 | 1 to 34 | 1 to 39 |
| Operation temperature (Cooling) | Outdoor | D.B. | -5.0°C to +52.0°C (+23.0°F to +125.6°F) | | | | |
| | Indoor | W.B. | +15.0°C to +24.0°C (+59.0°F to +75.0°F) | | | | |
| Operation temperature (Heating) | Outdoor | W.B. | -20.0°C to +15.5°C (-4.0°F to +60.0°F) | | | | |
| | Indoor | D.B. | +15.0°C to +27.0°C (+59.0°F to +81.0°F) | | | | |

| Model | | PUHY-P500YNW-A | PUHY-P400YSNW-A | PUHY-P450YSNW-A | PUHY-P500YSNW-A | PUHY-P550YSNW-A | PUHY-P600YSNW-A |
|--|----------------|----------------|---|-----------------|-----------------|-----------------|-----------------|
| Power input | Cooling | 12.52 | 8.77 | 10.22 | 11.91 | 14.15 | 16.26 |
| | Heating | 14.61 | 9.45 | 10.85 | 12.45 | 14.26 | 16.52 |
| Sound pressure level ³ (50/60 Hz) | | 63.5 dB <A> | 61.0 dB <A> | 62.0 dB <A> | 63.0 dB <A> | 63.5 dB <A> | 64.0 dB <A> |
| External static pressure | | 0 Pa*2 | | | | | |
| Indoor unit | Total capacity | 50% to 130%*1 | | | | | |
| | Model | 15 to 250 | | | | | |
| | Quantity | 1 to 43 | 1 to 34 | 1 to 39 | 1 to 43 | 2 to 47 | 2 to 50 |
| Operation temperature (Cooling) | Outdoor | D.B. | -5.0°C to +52.0°C (+23.0°F to +125.6°F) | | | | |
| | Indoor | W.B. | +15.0°C to +24.0°C (+59.0°F to +75.0°F) | | | | |
| Operation temperature (Heating) | Outdoor | W.B. | -20.0°C to +15.5°C (-4.0°F to +60.0°F) | | | | |
| | Indoor | D.B. | +15.0°C to +27.0°C (+59.0°F to +81.0°F) | | | | |

| Model | | PUHY-P650YSNW-A | PUHY-P700YSNW-A | PUHY-P750YSNW-A | PUHY-P800YSNW-A | PUHY-P850YSNW-A | PUHY-P900YSNW-A |
|--|----------------|-----------------|---|-----------------|-----------------|-----------------|-----------------|
| Power input | Cooling | 17.59 | 20.35 | 21.99 | 22.76 | 24.66 | 25.44 |
| | Heating | 19.53 | 21.15 | 24.54 | 24.39 | 28.05 | 27.90 |
| Sound pressure level ³ (50/60 Hz) | | 66.5 dB <A> | 65.0 dB <A> | 67.0 dB <A> | 67.5 dB <A> | 68.5 dB <A> | 68.5 dB <A> |
| External static pressure | | 0 Pa*2 | | | | | |
| Indoor unit | Total capacity | 50% to 130%*1 | | | | | |
| | Model | 15 to 250 | | | | | |
| | Quantity | 2 to 50 | 2 to 50 | 2 to 50 | 2 to 50 | 2 to 50 | 2 to 50 |
| Operation temperature (Cooling) | Outdoor | D.B. | -5.0°C to +52.0°C (+23.0°F to +125.6°F) | | | | |
| | Indoor | W.B. | +15.0°C to +24.0°C (+59.0°F to +75.0°F) | | | | |
| Operation temperature (Heating) | Outdoor | W.B. | -20.0°C to +15.5°C (-4.0°F to +60.0°F) | | | | |
| | Indoor | D.B. | +15.0°C to +27.0°C (+59.0°F to +81.0°F) | | | | |

| Model | | PUHY-P950YSNW-A | PUHY-P1000YSNW-A | PUHY-P1050YSNW-A | PUHY-P1100YSNW-A | PUHY-P1150YSNW-A | PUHY-P1200YSNW-A |
|--|----------------|-----------------|---|------------------|------------------|------------------|------------------|
| Power input | Cooling | 26.13 | 27.74 | 29.35 | 31.87 | 33.82 | 35.69 |
| | Heating | 27.20 | 30.45 | 33.30 | 35.34 | 38.32 | 41.42 |
| Sound pressure level ³ (50/60 Hz) | | 66.0 dB <A> | 68.0 dB <A> | 68.5 dB <A> | 68.5 dB <A> | 69.0 dB <A> | 70.0 dB <A> |
| External static pressure | | 0 Pa*2 | | | | | |
| Indoor unit | Total capacity | 50% to 130%*1 | | | | | |
| | Model | 15 to 250 | | | | | |
| | Quantity | 2 to 50 | 2 to 50 | 3 to 50 | 3 to 50 | 3 to 50 | 3 to 50 |
| Operation temperature (Cooling) | Outdoor | D.B. | -5.0°C to +52.0°C (+23.0°F to +125.6°F) | | | | |
| | Indoor | W.B. | +15.0°C to +24.0°C (+59.0°F to +75.0°F) | | | | |
| Operation temperature (Heating) | Outdoor | W.B. | -20.0°C to +15.5°C (-4.0°F to +60.0°F) | | | | |
| | Indoor | D.B. | +15.0°C to +27.0°C (+59.0°F to +81.0°F) | | | | |

| Model | | PUHY-P1250YSNW-A | PUHY-P1300YSNW-A | PUHY-P1350YSNW-A |
|---|----------------|--------------------|---|------------------|
| Power input | Cooling | 36.17 | 37.24 | 37.78 |
| | Heating | 41.40 | 41.55 | 41.40 |
| Sound pressure level ^{*3} (50/60 Hz) | | 70.0 dB <A> | 70.0 dB <A> | 70.5 dB <A> |
| External static pressure | | 0 Pa ^{*2} | | |
| Indoor unit | Total capacity | | 50% to 130% ^{*1} | |
| | Model | | 15 to 250 | |
| | Quantity | | 3 to 50 | 3 to 50 |
| Operation temperature (Cooling) | Outdoor | D.B. | -5.0°C to +52.0°C (+23.0°F to +125.6°F) | |
| | Indoor | W.B. | +15.0°C to +24.0°C (+59.0°F to +75.0°F) | |
| Operation temperature (Heating) | Outdoor | W.B. | -20.0°C to +15.5°C (-4.0°F to +60.0°F) | |
| | Indoor | D.B. | +15.0°C to +27.0°C (+59.0°F to +81.0°F) | |

*1 The maximum total capacity of indoor units operating simultaneously is 130%.

*2 To enable the high static pressure setting, set the dipswitch on the main board as follows.

| | SW6-5: ON | SW6-5: OFF |
|------------|-----------|------------|
| SW6-4: ON | 80 Pa | 60 Pa |
| SW6-4: OFF | 30 Pa | 0 Pa |

*3 Cooling mode

(2) EP models

| Model | | PUHY-EP200YNW-A | PUHY-EP250YNW-A | PUHY-EP300YNW-A | PUHY-EP350YNW-A | PUHY-EP400YNW-A | PUHY-EP450YNW-A |
|---|----------------|--------------------|---|-----------------|-----------------|-----------------|-----------------|
| Power input | Cooling | 4.00 | 5.49 | 6.96 | 8.75 | 10.46 | 11.10 |
| | Heating | 4.50 | 5.86 | 7.51 | 9.86 | 12.40 | 13.02 |
| Sound pressure level ^{*3} (50/60 Hz) | | 58.0 dB <A> | 60.0 dB <A> | 61.0 dB <A> | 62.0 dB <A> | 65.0 dB <A> | 65.5 dB <A> |
| External static pressure | | 0 Pa ^{*2} | | | | | |
| Indoor unit | Total capacity | | 50% to 130% ^{*1} | | | | |
| | Model | | 15 to 250 | | | | |
| | Quantity | | 1 to 17 | 1 to 21 | 1 to 26 | 1 to 30 | 1 to 34 |
| Operation temperature (Cooling) | Outdoor | D.B. | -5.0°C to +52.0°C (+23.0°F to +125.6°F) | | | | |
| | Indoor | W.B. | +15.0°C to +24.0°C (+59.0°F to +75.0°F) | | | | |
| Operation temperature (Heating) | Outdoor | W.B. | -20.0°C to +15.5°C (-4.0°F to +60.0°F) | | | | |
| | Indoor | D.B. | +15.0°C to +27.0°C (+59.0°F to +81.0°F) | | | | |

| Model | | PUHY-EP500YNW-A | PUHY-EP400YSNW-A | PUHY-EP450YSNW-A | PUHY-EP500YSNW-A | PUHY-EP550YSNW-A | PUHY-EP600YSNW-A |
|---|----------------|--------------------|---|------------------|------------------|------------------|------------------|
| Power input | Cooling | 12.41 | 8.27 | 9.67 | 11.31 | 13.10 | 14.75 |
| | Heating | 13.57 | 9.27 | 10.58 | 12.09 | 13.77 | 15.79 |
| Sound pressure level ^{*3} (50/60 Hz) | | 63.5 dB <A> | 61.0 dB <A> | 62.0 dB <A> | 63.0 dB <A> | 63.5 dB <A> | 64.0 dB <A> |
| External static pressure | | 0 Pa ^{*2} | | | | | |
| Indoor unit | Total capacity | | 50% to 130% ^{*1} | | | | |
| | Model | | 15 to 250 | | | | |
| | Quantity | | 1 to 43 | 1 to 34 | 1 to 39 | 1 to 43 | 2 to 47 |
| Operation temperature (Cooling) | Outdoor | D.B. | -5.0°C to +52.0°C (+23.0°F to +125.6°F) | | | | |
| | Indoor | W.B. | +15.0°C to +24.0°C (+59.0°F to +75.0°F) | | | | |
| Operation temperature (Heating) | Outdoor | W.B. | -20.0°C to +15.5°C (-4.0°F to +60.0°F) | | | | |
| | Indoor | D.B. | +15.0°C to +27.0°C (+59.0°F to +81.0°F) | | | | |

| Model | | PUHY-EP650YSNW-A | PUHY-EP700YSNW-A | PUHY-EP750YSNW-A | PUHY-EP800YSNW-A | PUHY-EP850YSNW-A | PUHY-EP900YSNW-A |
|---|----------------|--------------------|---|------------------|------------------|------------------|------------------|
| Power input | Cooling | 16.32 | 18.00 | 19.75 | 20.45 | 22.40 | 23.10 |
| | Heating | 18.47 | 19.85 | 22.88 | 23.30 | 26.66 | 27.07 |
| Sound pressure level ^{*3} (50/60 Hz) | | 66.5 dB <A> | 65.0 dB <A> | 67.0 dB <A> | 67.5 dB <A> | 68.5 dB <A> | 68.5 dB <A> |
| External static pressure | | 0 Pa ^{*2} | | | | | |
| Indoor unit | Total capacity | | 50% to 130% ^{*1} | | | | |
| | Model | | 15 to 250 | | | | |
| | Quantity | | 2 to 50 | 2 to 50 | 2 to 50 | 2 to 50 | 2 to 50 |
| Operation temperature (Cooling) | Outdoor | D.B. | -5.0°C to +52.0°C (+23.0°F to +125.6°F) | | | | |
| | Indoor | W.B. | +15.0°C to +24.0°C (+59.0°F to +75.0°F) | | | | |
| Operation temperature (Heating) | Outdoor | W.B. | -20.0°C to +15.5°C (-4.0°F to +60.0°F) | | | | |
| | Indoor | D.B. | +15.0°C to +27.0°C (+59.0°F to +81.0°F) | | | | |

| Model | | PUHY-EP950YSNW-A | PUHY-EP1000YSNW-A | PUHY-EP1050YSNW-A | PUHY-EP1100YSNW-A | PUHY-EP1150YSNW-A | PUHY-EP1200YSNW-A |
|---|----------------|---------------------------|---|-------------------|-------------------|-------------------|-------------------|
| Power input | Cooling | 23.62 | 25.33 | 27.05 | 28.56 | 30.56 | 32.58 |
| | Heating | 25.79 | 28.70 | 31.26 | 33.00 | 35.60 | 38.34 |
| Sound pressure level ^{*3} (50/60 Hz) | | 66.0 dB <A> | 68.0 dB <A> | 68.5 dB <A> | 68.5 dB <A> | 69.0 dB <A> | 70.0 dB <A> |
| External static pressure | | 0 Pa ^{*2} | | | | | |
| Indoor unit | Total capacity | 50% to 130% ^{*1} | | | | | |
| | Model | 15 to 250 | | | | | |
| | Quantity | 2 to 50 | 2 to 50 | 3 to 50 | 3 to 50 | 3 to 50 | 3 to 50 |
| Operation temperature (Cooling) | Outdoor | D.B. | -5.0°C to +52.0°C (+23.0°F to +125.6°F) | | | | |
| | Indoor | W.B. | +15.0°C to +24.0°C (+59.0°F to +75.0°F) | | | | |
| Operation temperature (Heating) | Outdoor | W.B. | -20.0°C to +15.5°C (-4.0°F to +60.0°F) | | | | |
| | Indoor | D.B. | +15.0°C to +27.0°C (+59.0°F to +81.0°F) | | | | |

| Model | | PUHY-EP1250YSNW-A | PUHY-EP1300YSNW-A | PUHY-EP1350YSNW-A |
|---|----------------|---------------------------|---|-------------------|
| Power input | Cooling | 32.98 | 33.85 | 34.30 |
| | Heating | 39.00 | 39.81 | 40.24 |
| Sound pressure level ^{*3} (50/60 Hz) | | 70.0 dB <A> | 70.0 dB <A> | 70.5 dB <A> |
| External static pressure | | 0 Pa ^{*2} | | |
| Indoor unit | Total capacity | 50% to 130% ^{*1} | | |
| | Model | 15 to 250 | | |
| | Quantity | 3 to 50 | 3 to 50 | 3 to 50 |
| Operation temperature (Cooling) | Outdoor | D.B. | -5.0°C to +52.0°C (+23.0°F to +125.6°F) | |
| | Indoor | W.B. | +15.0°C to +24.0°C (+59.0°F to +75.0°F) | |
| Operation temperature (Heating) | Outdoor | W.B. | -20.0°C to +15.5°C (-4.0°F to +60.0°F) | |
| | Indoor | D.B. | +15.0°C to +27.0°C (+59.0°F to +81.0°F) | |

*1 The maximum total capacity of indoor units operating simultaneously is 130%.

*2 To enable the high static pressure setting, set the dipswitch on the main board as follows.

| | SW6-5: ON | SW6-5: OFF |
|------------|-----------|------------|
| SW6-4: ON | 80 Pa | 60 Pa |
| SW6-4: OFF | 30 Pa | 0 Pa |

*3 Cooling mode

5. Package contents

The table below lists all the parts and their quantities included in the package.

(1) P models

| | Tie band |
|------|----------|
| P200 | 2 |
| P250 | 2 |
| P300 | 2 |
| P350 | 2 |
| P400 | 2 |
| P450 | 2 |
| P500 | 2 |

(2) EP models

| | Tie band |
|-------|----------|
| EP200 | 2 |
| EP250 | 2 |
| EP300 | 2 |
| EP350 | 2 |
| EP400 | 2 |
| EP450 | 2 |
| EP500 | 2 |

6. Transporting the unit

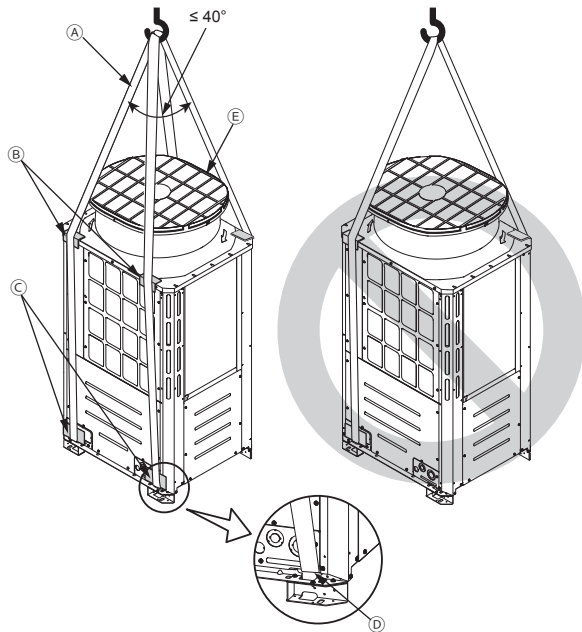
! WARNING

When lifting the unit, pass the slings through the four designated sling holes.

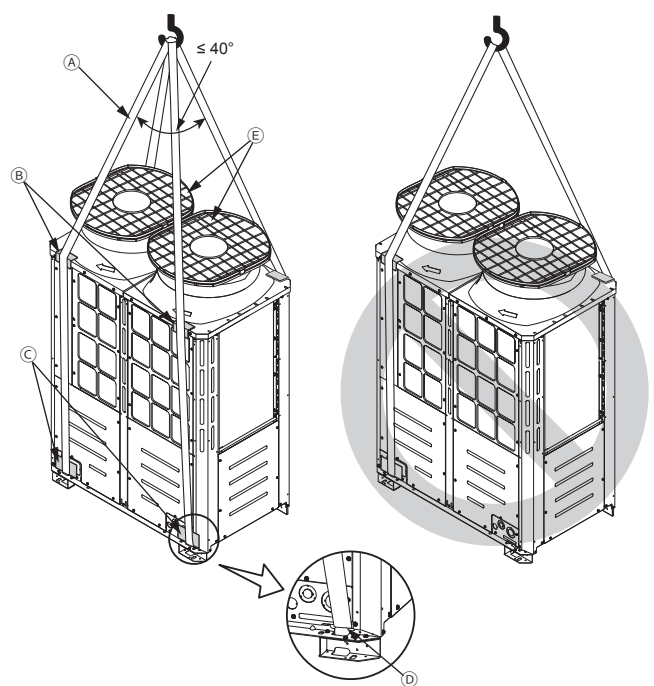
- Improper lifting will cause the unit to topple or fall, resulting in serious injury.

- Always use two slings to lift up the unit. Each sling must be at least 8 m (26 ft) long and must be able to support the weight of the unit.
- Put protective pads between slings and the unit where the slings touch the unit at the base to protect the unit from being scratched.
- Put 50 mm (2 in) or thicker protective pads between slings and the unit where the slings touch the unit at the top of the unit to protect the unit from being scratched and to avoid contact with the slings and the fan guard.
- Make sure that the angles between slings at the top are less than 40 degrees.

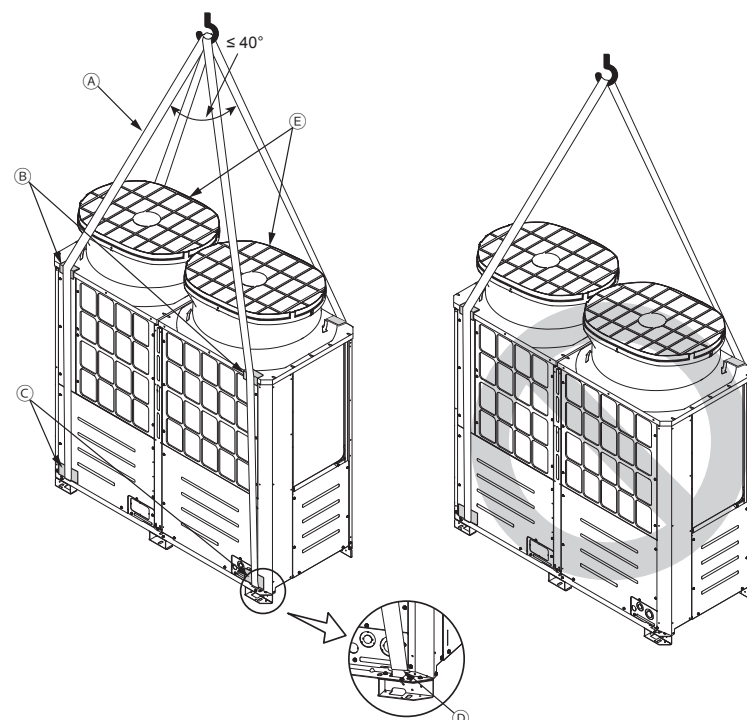
P200, P250, P300, EP200, EP250, EP300



P350, P400, P450, EP350, EP400, EP450



P500, EP500



- Ⓐ Slings (Min. 8 m (26 ft) x 2)
- Ⓑ Protective pads (Minimum thickness: 50 mm (2 in)) (two each in the front and back)
- Ⓒ Protective pads (two each in the front and back)
- Ⓓ Sling holes (two each in the front and back)
- Ⓔ Fan guard

7. Installation location

! WARNING

Do not install the unit where combustible gas may leak.

- If combustible gas accumulates around the unit, fire or explosion may result.

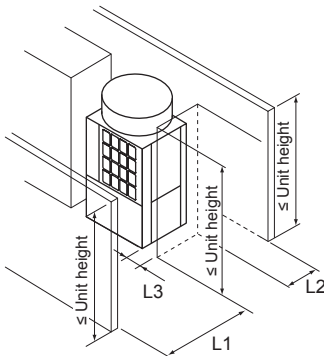
- Provide sufficient space around the unit for effective operation, efficient air movement, and ease of access for maintenance.
- Note that refrigerant gas is heavier than air and will therefore tend to collect in low spots such as basements.
- When an indoor unit that draws in outside air exits near the outdoor unit, be careful not to affect the normal operation of the indoor unit.
- When the amount of drain water is excessive, drain water comes out of the outdoor unit along the panel during heating operation. Provide sufficient space around the unit according to the instructions below.

GB

7-1. Single unit installation

(1) When all walls are within their height limits*.

[mm (in)]



* Height limit

| | |
|-----------------------|--|
| Front/Right/Left/Rear | Same height or lower than the overall height of the unit |
|-----------------------|--|

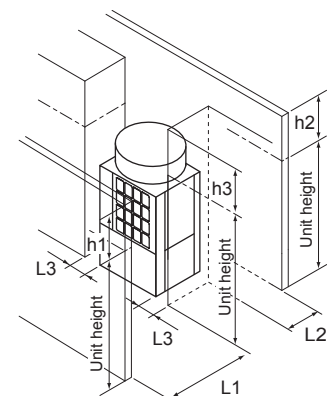
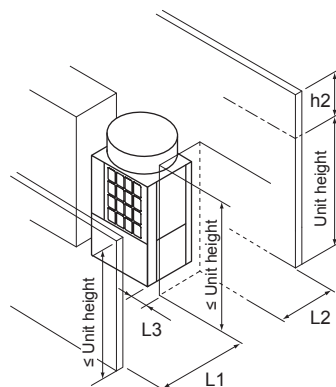
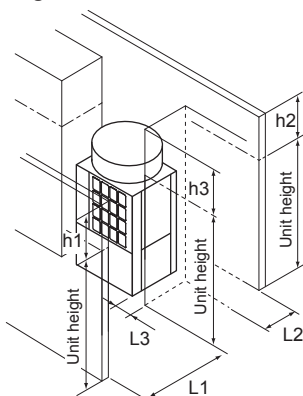
| | Required minimum distance [mm (in)] | | |
|---|-------------------------------------|----------------|-----------------|
| | L1 (Front) | L2 (Rear) | L3 (Right/Left) |
| When the distance behind the unit (L2) needs to be small | 450 (17-3/4) | 100 (3-15/16) | 50 (2) |
| When the distance to the right or left (L3) needs to be small | 450 (17-3/4) | 300 (11-13/16) | 15 (5/8) |

(2) When one or more walls exceed their height limits*.

When the wall(s) at the front and/or the right/left exceed(s) their height limits

When the wall at the rear exceeds its height limit

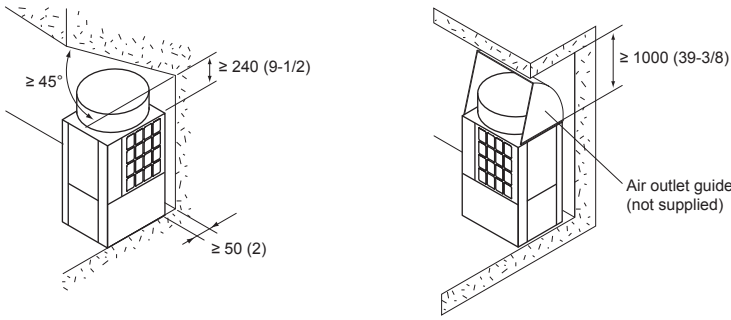
When all walls exceed their height limits



Add the dimension that exceeds the height limit (shown as "h1" through "h3" in the figures) to L1, L2, and L3 as shown in the table below.

| | Required minimum distance [mm (in)] | | |
|---|-------------------------------------|---------------------|-----------------|
| | L1 (Front) | L2 (Rear) | L3 (Right/Left) |
| When the distance behind the unit (L2) needs to be small | 450 (17-3/4) + h1 | 100 (3-15/16) + h2 | 50 (2) + h3 |
| When the distance to the right or left (L3) needs to be small | 450 (17-3/4) + h1 | 300 (11-13/16) + h2 | 15 (5/8) + h3 |

(3) When there are overhead obstacles

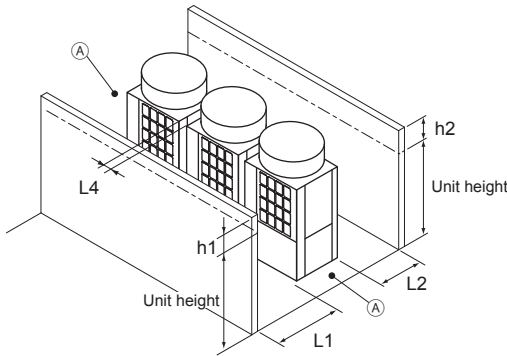


7-2. Multiple unit installation

- When installing multiple units, make sure to take into consideration factors such as providing enough space for people to pass through, ample space between blocks of units, and sufficient space for airflow. (The areas marked with Ⓐ in the figures below must be left open.)
- In the same way as with the single unit installation, add the dimension that exceeds the height limit (shown as "h1" through "h3" in the figures) to L1, L2, and L3 as shown in the tables below.
- If there are walls in the front and rear of the block of units, up to six units (three units for units P450 through P500) can be installed consecutively side by side, and a space of 1000 mm (39-3/8 in) or more must be left between each block of six units.
- When the amount of drain water is excessive, drain water comes out of the outdoor unit along the panel during heating operation.

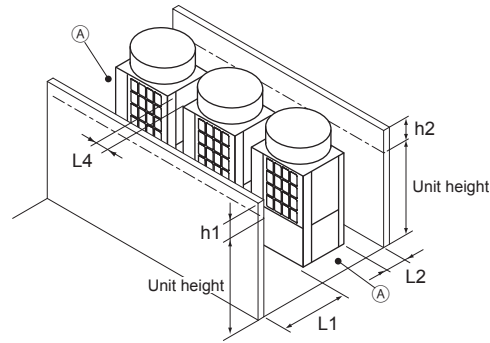
(1) Side-by-side installation

When the distances between the units (L4) need to be small



| Required minimum distance [mm (in)] | | |
|-------------------------------------|---------------------|--------------|
| L1 (Front) | L2 (Rear) | L4 (Between) |
| 450 (17-3/4) + h1 | 300 (11-13/16) + h2 | 30 (1-3/16) |

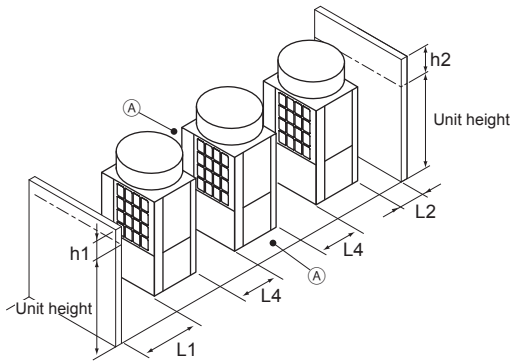
When the distance behind the block of units (L2) needs to be small



| Required minimum distance [mm (in)] | | |
|-------------------------------------|--------------------|---------------|
| L1 (Front) | L2 (Rear) | L4 (Between) |
| 450 (17-3/4) + h1 | 100 (3-15/16) + h2 | 100 (3-15/16) |

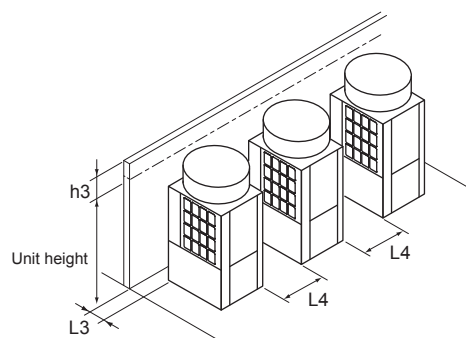
(2) Face-to-face installation

When there are walls in the front and rear of the block of units



| Required minimum distance [mm (in)] | | |
|-------------------------------------|--------------------|--------------|
| L1 (Front) | L2 (Rear) | L4 (Between) |
| 450 (17-3/4) + h1 | 100 (3-15/16) + h2 | 450 (17-3/4) |

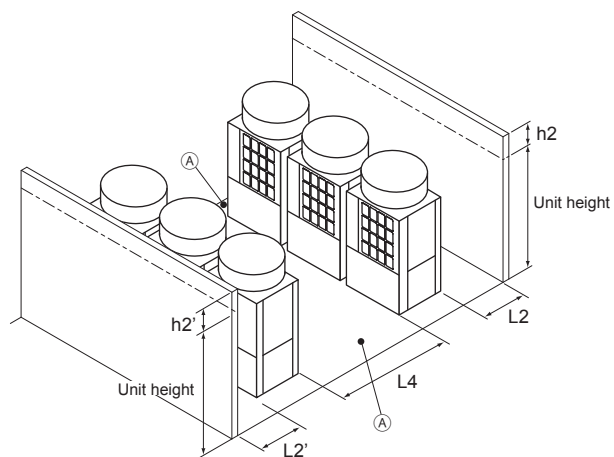
When there is a wall on either the right or left side of the block of units



| Required minimum distance [mm (in)] | |
|-------------------------------------|--------------|
| L3 (Right/Left) | L4 (Between) |
| 15 (5/8) + h3 | 450 (17-3/4) |

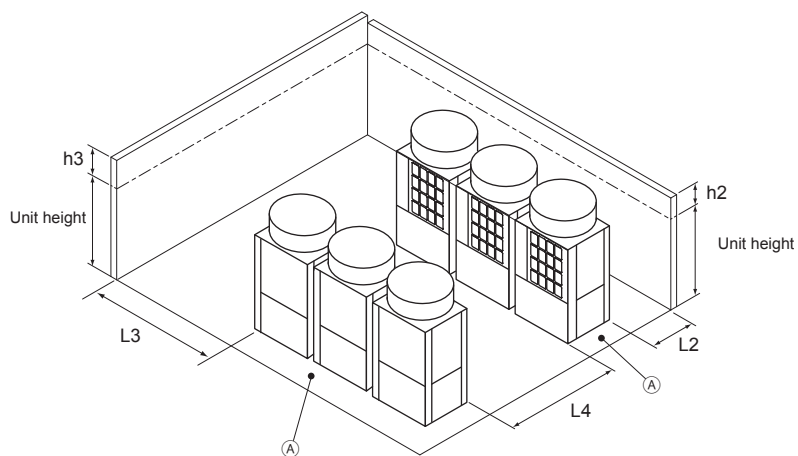
(3) Combination of face-to-face and side-by-side installations

When there are walls in the front and rear of the block of units



| Required minimum distance [mm (in)] | | |
|-------------------------------------|----------------------|---------------|
| L2 (Rear) | L2' (Rear) | L4 (Between) |
| 300 (11-13/16) + h2 | 300 (11-13/16) + h2' | 900 (35-7/16) |

When there are two walls in an L-shape



| Required minimum distance [mm (in)] | | |
|-------------------------------------|--------------------|---------------|
| L2 (Rear) | L3 (Right/Left) | L4 (Between) |
| 300 (11-13/16) + h2 | 1000 (39-3/8) + h3 | 900 (35-7/16) |

Ⓐ Leave open in two directions.

8. Foundation work

! WARNING

Install the unit in accordance with the instructions to minimize the risk of damage from earthquakes and strong winds.

- Improper installation will cause the unit to topple, resulting in serious injury.

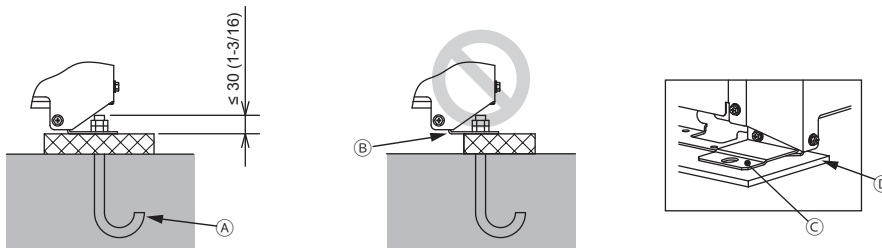
The unit must be securely installed on a structure that can sustain its weight.

- Failure to do so will cause the unit to fall, resulting in serious injury.

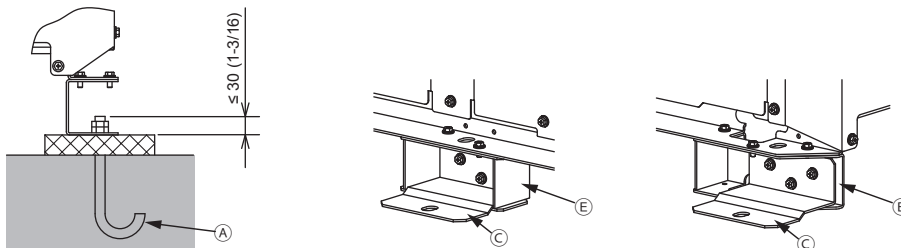
- When performing the foundation work, make sure that the floor surface has sufficient strength and carefully route pipes and wires in consideration of the water drainage that will be required when the unit is operated.
- If considering routing the pipes and wires across the bottom of the unit, make sure that the base is at least 100 mm (3-15/16 in) high so that the through-holes will not be blocked.
- Provide a strong base of concrete or angle iron. If a stainless steel base is used, insulate the area between the base and the outdoor unit by putting a rubber cushion or by applying an electrically insulated coating to prevent the base from rusting.
- Install the unit on a level surface.
- With some types of installation, unit vibration and sound will be transmitted to the floors and walls. In such locations, take measures to prevent vibration (such as using anti-vibration rubber pads).

[mm (in)]

(1) Without a detachable leg



(2) With a detachable leg

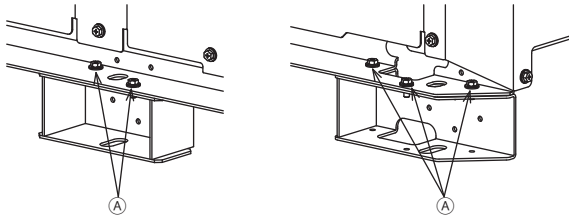


- (A) M10 anchor bolt (not supplied)
- (B) (Incorrect installation) The corner section is not securely received.
- (C) Fixing bracket for post-installed anchor bolts (not supplied) (To be fixed with three screws)
- (D) Anti-vibration rubber pad
(The pad needs to be large enough to cover the entire width of each unit leg.)
- (E) Detachable leg

- Make sure that the corner section is securely received. If not, the unit legs could bend.
- The length of the projecting part of the anchor bolt should be 30 mm (1-3/16 in) or less.
- This unit is not designed to be anchored with post-installed anchor bolts unless fixing brackets are installed at the bottom four locations (six locations for units (E)P500).

- To remove the detachable legs on site, unscrew the screws shown in the figure below. If the unit leg coating is damaged when the detachable leg is removed, repair the coating on site.

(A) Screws



GB

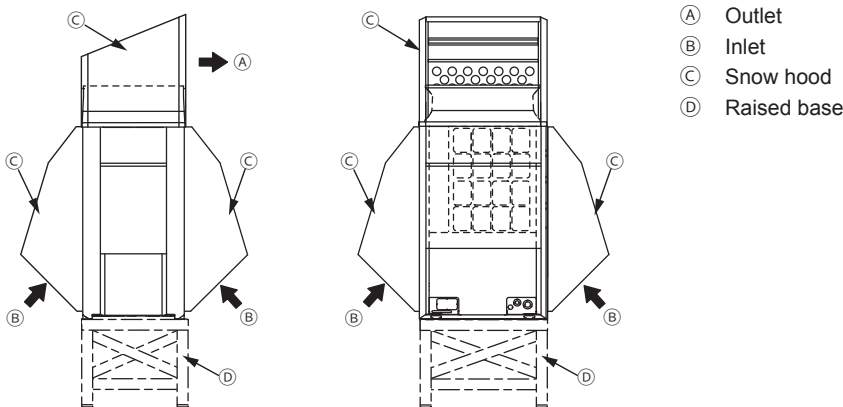
- In abnormally harsh environments such as cold and/or windy areas, sufficient countermeasures to guard against excessive wind and snow should be taken to ensure the unit's correct operation. When the unit is expected to operate in cooling mode in conditions under 10°C (50°F), in snowy areas, in environments subject to strong winds or rain, install snow hoods of the following specifications (not supplied) as shown in the figure below.

Material: Galvanized steel plate 1.2T

Painting: Overall painting with polyester powder

Color: Munsell 3.0Y 7.8/1.1 (same as the unit color)

Size: Refer to the Data Book.



- Install the unit so that the wind will not blow directly against the inlet and outlet.
- If necessary, install the unit on a raised base of the following specifications (not supplied) to prevent damage from snow.

Material: Angle iron (Build a structure that snow and wind can pass through.)

Height: Expected maximum snowfall plus 200 mm (7-7/8 in)

Width: Within the unit width (If the raised base is too wide, snow will accumulate on the raised base.)

- When the unit is used in a cold region and the heating operation is continuously performed for a long time when the outside air temperature is below freezing, install a heater on the raised base or take other appropriate measures to prevent water from freezing on the raised base.
- When installing a panel heater, provide sufficient space for maintenance accordingly. For details, refer to the Data Book or installation manual for the panel heater.

9. Refrigerant piping work

! WARNING

Do not use any refrigerant other than the type indicated in the manuals for the unit and on the nameplate.

- Doing so will cause the unit or pipes to burst, or result in an explosion or fire during use, during repairs, or at the time of disposal of the unit.
- It may also be in violation of applicable laws.
- MITSUBISHI ELECTRIC CORPORATION cannot be held responsible for malfunctions or accidents resulting from the use of the wrong type of refrigerant.

After the installation has been completed, check for refrigerant leaks.

- If the refrigerant leaks, oxygen starvation may result. If the leaked refrigerant comes in contact with a heat source, toxic gas will be generated.

! CAUTION

Wear protective gloves when working on the unit.

- Failure to do so may result in injury.
- High-pressure pipes poses a risk of burns if touched with bare hands while the unit is in operation.

CAUTION

Use the following tools specifically designed for use with the specified refrigerant: Gauge manifold, charge hose, gas leak detector, check valve, refrigerant charge base, vacuum gauge, and refrigerant recovery equipment.

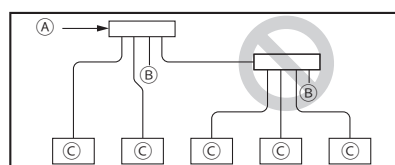
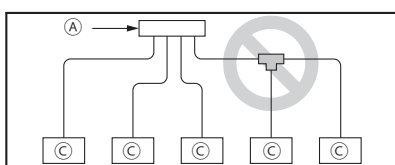
- Gas leak detectors for conventional refrigerants will not react to a refrigerant that does not contain chlorine.
- If the specified refrigerant is mixed with water, refrigerant oil, or another refrigerant, the refrigerant oil will deteriorate and the compressor will malfunction.

Do not use existing refrigerant piping.

- The old refrigerant and refrigerant oil in the existing piping contain a large amount of chlorine, which will cause the refrigerant oil in the new unit to deteriorate and cause the compressor to malfunction.

9-1. Restrictions

- Existing refrigerant piping must not be used because the design pressure for systems using R410A is higher than that for systems using other types of refrigerants.
- Do not install outdoor unit piping when it is raining.
- Do not use special detergents for washing piping.
- Always observe the restrictions on refrigerant piping (such as pipe size, pipe length, and vertical separation distance) to prevent equipment failure or a decline in heating/cooling performance.
- Do not install solenoid valves to prevent oil backflow and compressor start-up failure.
- Do not install a sight glass because it may show improper refrigerant flow. If a sight glass is installed, inexperienced technicians that use the glass may overcharge the refrigerant.
- Branching cannot be made after header branching.



- (A) From outdoor unit
- (B) Cap
- (C) Indoor unit

- The pipe from multiple outdoor units must be installed so that oil will not accumulate in the pipe under certain conditions. Refer to the figures below for details.

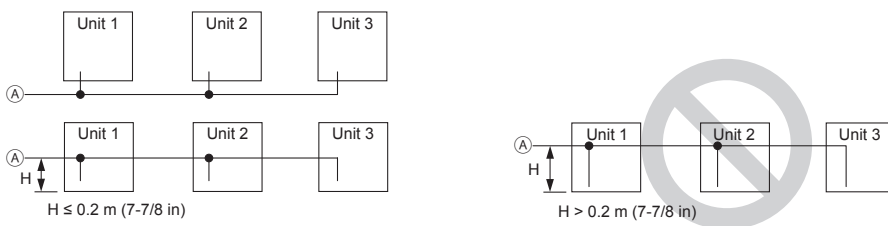
* Small dots in the figures indicate branching points.

(A) To indoor units

- The pipe from the outdoor units must be inclined downward to the indoor unit side. In the figure on the right, because the pipe is inclined upward, the oil in the pipe accumulates when Unit 1 is in operation and Unit 3 is stopped.



- The distance between the unit bottom and the pipe (H) must be 0.2 m (7-7/8 in) or below. In the figure on the right, because the distance is more than 0.2 m (7-7/8 in), the oil accumulates in Units 1 and 2 when Unit 3 is in operation and Units 1 and 2 are stopped.



- The vertical separation between units (H) must be 0.1 m (3-15/16 in) or below. In the figure on the right, because the distance is more than 0.1 m (3-15/16 in), the oil accumulates in Unit 1 when Unit 3 is in operation and Unit 1 is stopped.

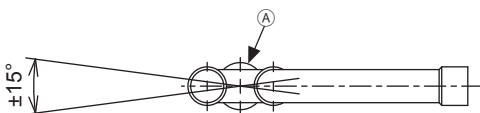


- The vertical separation between units (H) must be 0.1 m (3-15/16 in) or below. In the figure on the right, because the distance is more than 0.1 m (3-15/16 in), the oil accumulates in Unit 3 when Unit 1 is in operation and Unit 3 is stopped.

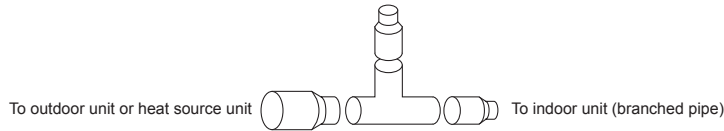


- Make sure that the inclination tolerance of the Twinning Kit is $\pm 15^\circ$ to the ground to avoid unit damage.

(A) Twinning Kit

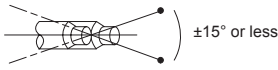


- Restriction on installing the indoor unit twinning kit CMY-Y202S-G2 or CMY-Y302S-G2 on the gas piping

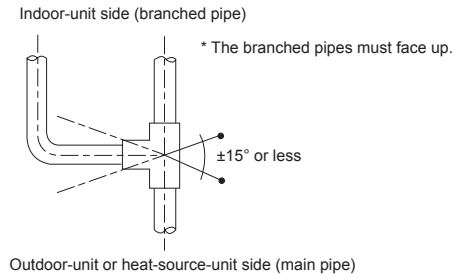


- The indoor unit twinning kit on the gas piping must be installed horizontally (as shown in the figure at left below) or with the branched pipes facing up (as shown in the figure at right below).
- If the size of the refrigerant pipe that is selected by following the instructions under section 9-4 does not match the size of the indoor unit twinning kit, use a reducer to connect them. A reducer is included in the indoor unit twinning kit.

Horizontal installation



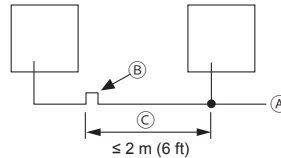
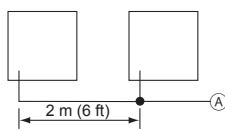
Vertical installation



- If the length of the pipe between the branching point and the outdoor unit exceeds 2 m (6 ft), provide a trap within 2 m (6 ft) from the branching point.

The trap must be at least 200 mm (7-7/8 in) in height. (gas pipe only) If there is no trap, oil can accumulate inside the pipe, causing a shortage of oil and may damage the compressor.

* Small dots in the figures indicate branching points.



- (A) To indoor units
- (B) Trap (gas pipe only)
- (C) Gas pipe

9-2. Pipe selection

CAUTION

Use refrigerant piping made of phosphorus deoxidized copper (copper and copper alloy seamless pipes) that meets local requirements. Pipe joints should also meet local requirements. Keep the inner and outer surfaces of the pipes clean and free of sulphur, oxides, dust/dirt, shaving particles, oils, moisture, or any other contaminants.

- Contaminants on the inside of the refrigerant piping will cause the refrigerant oil to deteriorate and cause the compressor to malfunction.

Use refrigerant pipes for use with R410A refrigerant system. Piping for systems for use with other types of refrigerants may not be able to be used.

Use refrigerant pipes with the thicknesses specified in the table below.

| Size [mm (in)] | Radial thickness [mm (mil)] | Type |
|-----------------|-----------------------------|----------------|
| ø6.35 (ø1/4) | 0.8 (32) | Type-O |
| ø9.52 (ø3/8) | 0.8 (32) | Type-O |
| ø12.7 (ø1/2) | 0.8 (32) | Type-O |
| ø15.88 (ø5/8) | 1.0 (40) | Type-O |
| ø19.05 (ø3/4) | 1.2 (48) | Type-O |
| | 1.0 (40) | Type-1/2H or H |
| ø22.2 (ø7/8) | 1.0 (40) | Type-1/2H or H |
| ø25.4 (ø1) | 1.0 (40) | Type-1/2H or H |
| ø28.58 (ø1-1/8) | 1.0 (40) | Type-1/2H or H |
| ø31.75 (ø1-1/4) | 1.1 (44) | Type-1/2H or H |
| ø34.93 (ø1-3/8) | 1.2 (48) | Type-1/2H or H |
| ø41.28 (ø1-5/8) | 1.4 (56) | Type-1/2H or H |

9-3. Twinning kit selection

9-3-1. Indoor unit twinning kit

Select a proper indoor unit twinning kit (sold separately) based on the total capacity of the downstream indoor units, using the table below as a reference.

Line branching

| Total capacity of downstream indoor units | Kit model |
|---|---------------|
| 200 or below | CMY-Y102SS-G2 |
| 201 to 400 | CMY-Y102LS-G2 |
| 401 to 650 | CMY-Y202S-G2 |
| 651 or above | CMY-Y302S-G2 |

Line branching for the 1st branching point

| Outdoor unit model | Kit model |
|--------------------|--------------|
| P450 to P650 | CMY-Y202S-G2 |
| P700 to P1350 | CMY-Y302S-G2 |

Header branching

| Total capacity of downstream indoor units | Number of branches | Kit model |
|---|--------------------|-------------|
| 200 or below | 4 | CMY-Y104-G |
| 400 or below | 8 | CMY-Y108-G |
| 650 or below | 10 | CMY-Y1010-G |

* Use an adapter, if necessary, to connect a refrigerant pipe to a twinning pipe of a different diameter.

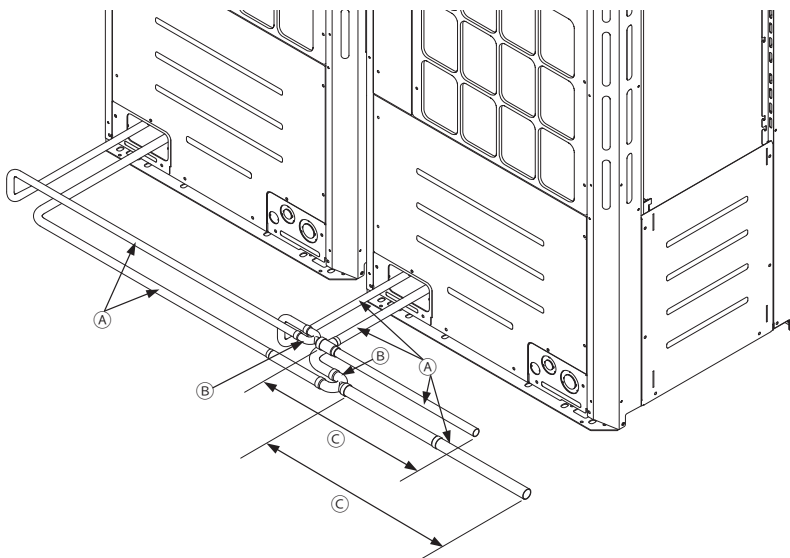
9-3-2. Outdoor unit twinning kit

Select a proper outdoor unit twinning kit (sold separately) based on the total capacity of the outdoor units, using the table below as a reference.

| Total capacity of outdoor units | Kit model | Total capacity of outdoor units | Kit model |
|---------------------------------|--------------|---------------------------------|--------------|
| P400 to P650 | CMY-Y100VBK3 | EP550 to EP650 | CMY-Y100VBK3 |
| P700 to P900 | CMY-Y200VBK2 | EP700 to EP900 | CMY-Y200VBK2 |
| P950 to P1350 | CMY-Y300VBK3 | EP950 to EP1350 | CMY-Y300VBK3 |

9-4. Pipe connection example

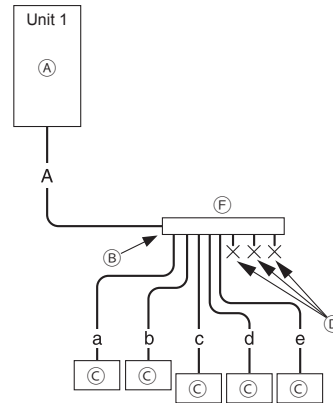
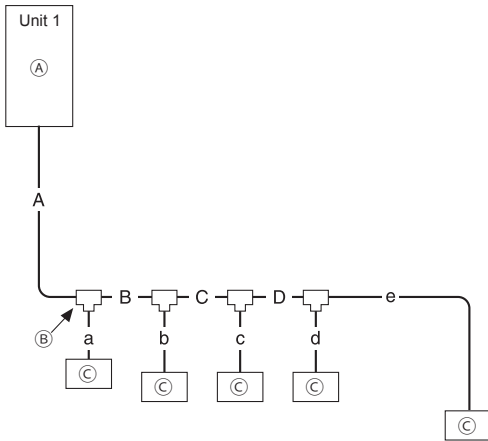
- Example of pipe connection between outdoor units



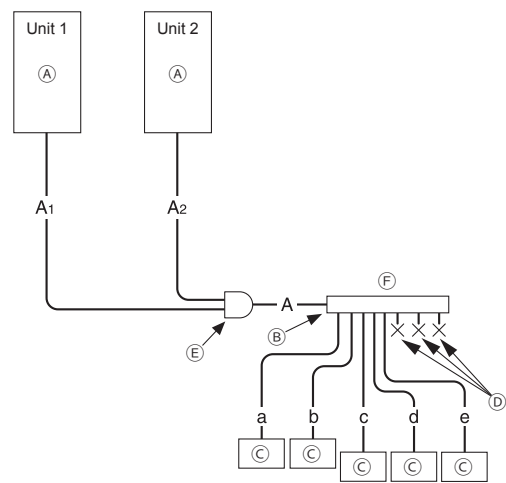
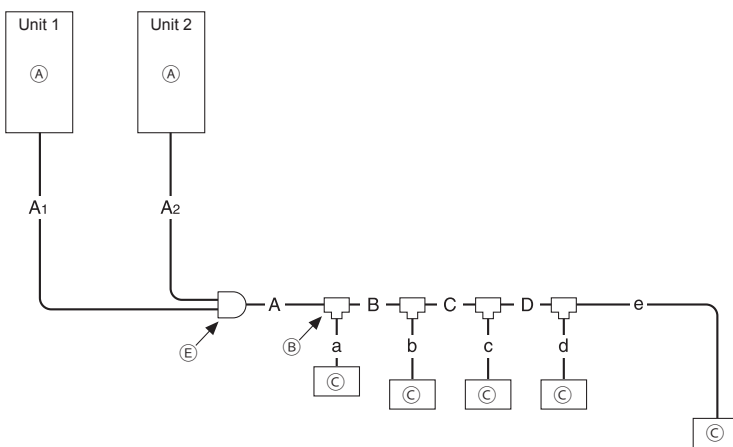
- Ⓐ On-site piping
- Ⓑ Twinning Kit
- Ⓒ The pipe section before the twinning pipe must have at least 500 mm (19-11/16 in) of straight section.

• Example of pipe connection between outdoor units and indoor units

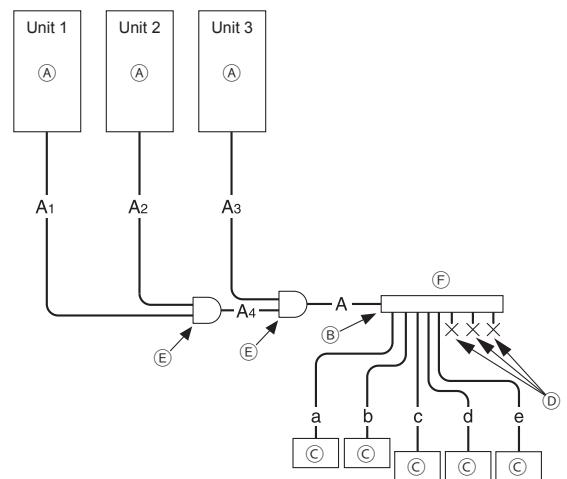
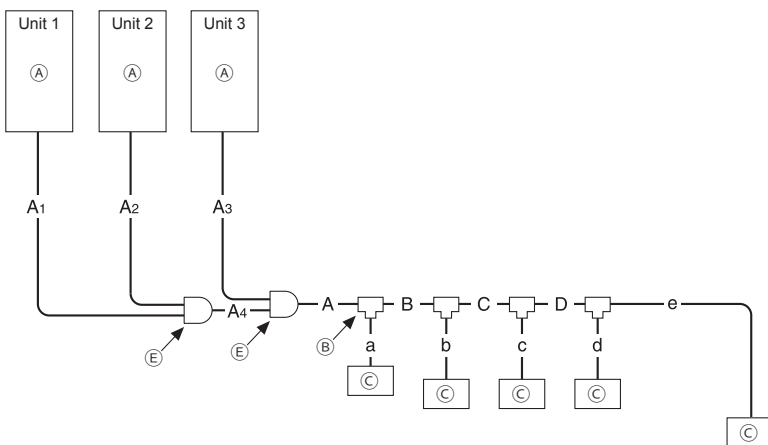
P200 to P500YNW-A
EP200 to EP500YNW-A



P400 to P900YSNW-A
EP550 to EP900YSNW-A



P950 to P1350YSNW-A
EP950 to EP1350YSNW-A



- (A) Outdoor unit
- (B) 1st branching
- (C) Indoor unit
- (D) Cap
- (E) Outdoor unit twinning kit
- (F) Header branching

* The total length of A₁, A₂, A₃, and A₄ is less than 10 m (32 ft).

(1) P models

Pipes A, A₁, A₂, A₃, A₄

[mm]

| Unit model | Combination unit | | | Pipe A | | Pipe A ₁ *3 | | Pipe A ₂ *3 | | Pipe A ₃ *3 | | Pipe A ₄ | |
|-------------|------------------|--------|--------|----------|--------|------------------------|--------|------------------------|--------|------------------------|--------|---------------------|--------|
| | Unit 1 | Unit 2 | Unit 3 | Liquid | Gas | Liquid | Gas | Liquid | Gas | Liquid | Gas | Liquid | Gas |
| P200YNW-A | - | - | - | ø9.52 | ø22.2 | - | - | - | - | - | - | - | - |
| P250YNW-A | - | - | - | ø9.52 *1 | ø22.2 | - | - | - | - | - | - | - | - |
| P300YNW-A | - | - | - | ø9.52 *2 | ø22.2 | - | - | - | - | - | - | - | - |
| P350YNW-A | - | - | - | ø12.7 | ø28.58 | - | - | - | - | - | - | - | - |
| P400YNW-A | - | - | - | ø12.7 | ø28.58 | - | - | - | - | - | - | - | - |
| P450YNW-A | - | - | - | ø15.88 | ø28.58 | - | - | - | - | - | - | - | - |
| P500YNW-A | - | - | - | ø15.88 | ø28.58 | - | - | - | - | - | - | - | - |
| P400YSNW-A | P200 | P200 | - | ø12.7 | ø28.58 | ø9.52 | ø22.2 | ø9.52 | ø22.2 | - | - | - | - |
| P450YSNW-A | P250 | P200 | - | ø15.88 | ø28.58 | ø9.52 | ø22.2 | ø9.52 | ø22.2 | - | - | - | - |
| P500YSNW-A | P250 | P250 | - | ø15.88 | ø28.58 | ø9.52 | ø22.2 | ø9.52 | ø22.2 | - | - | - | - |
| P550YSNW-A | P300 | P250 | - | ø15.88 | ø28.58 | ø12.7 | ø28.58 | ø9.52 | ø22.2 | - | - | - | - |
| P600YSNW-A | P300 | P300 | - | ø15.88 | ø28.58 | ø12.7 | ø28.58 | ø12.7 | ø28.58 | - | - | - | - |
| P650YSNW-A | P400 | P250 | - | ø15.88 | ø28.58 | ø12.7 | ø28.58 | ø9.52 | ø22.2 | - | - | - | - |
| P700YSNW-A | P350 | P350 | - | ø19.05 | ø34.93 | ø12.7 | ø28.58 | ø12.7 | ø28.58 | - | - | - | - |
| P750YSNW-A | P400 | P350 | - | ø19.05 | ø34.93 | ø15.88 | ø28.58 | ø12.7 | ø28.58 | - | - | - | - |
| P800YSNW-A | P450 | P350 | - | ø19.05 | ø34.93 | ø15.88 | ø28.58 | ø12.7 | ø28.58 | - | - | - | - |
| P850YSNW-A | P450 | P400 | - | ø19.05 | ø41.28 | ø15.88 | ø28.58 | ø15.88 | ø28.58 | - | - | - | - |
| P900YSNW-A | P450 | P450 | - | ø19.05 | ø41.28 | ø15.88 | ø28.58 | ø15.88 | ø28.58 | - | - | - | - |
| P950YSNW-A | P350 | P350 | P250 | ø19.05 | ø41.28 | ø12.7 | ø28.58 | ø12.7 | ø28.58 | ø9.52 | ø22.2 | ø19.05 | ø34.93 |
| P1000YSNW-A | P400 | P350 | P250 | ø19.05 | ø41.28 | ø15.88 | ø28.58 | ø12.7 | ø28.58 | ø9.52 | ø22.2 | ø19.05 | ø34.93 |
| P1050YSNW-A | P400 | P400 | P250 | ø19.05 | ø41.28 | ø15.88 | ø28.58 | ø15.88 | ø28.58 | ø9.52 | ø22.2 | ø19.05 | ø34.93 |
| P1100YSNW-A | P400 | P350 | P350 | ø19.05 | ø41.28 | ø15.88 | ø28.58 | ø12.7 | ø28.58 | ø12.7 | ø28.58 | ø19.05 | ø34.93 |
| P1150YSNW-A | P400 | P400 | P350 | ø19.05 | ø41.28 | ø15.88 | ø28.58 | ø15.88 | ø28.58 | ø12.7 | ø28.58 | ø19.05 | ø34.93 |
| P1200YSNW-A | P400 | P400 | P400 | ø19.05 | ø41.28 | ø15.88 | ø28.58 | ø15.88 | ø28.58 | ø15.88 | ø28.58 | ø19.05 | ø34.93 |
| P1250YSNW-A | P450 | P400 | P400 | ø19.05 | ø41.28 | ø15.88 | ø28.58 | ø15.88 | ø28.58 | ø15.88 | ø28.58 | ø19.05 | ø34.93 |
| P1300YSNW-A | P450 | P450 | P400 | ø19.05 | ø41.28 | ø15.88 | ø28.58 | ø15.88 | ø28.58 | ø15.88 | ø28.58 | ø19.05 | ø34.93 |
| P1350YSNW-A | P450 | P450 | P450 | ø19.05 | ø41.28 | ø15.88 | ø28.58 | ø15.88 | ø28.58 | ø15.88 | ø28.58 | ø19.05 | ø34.93 |

Pipes A, A₁, A₂, A₃, A₄

[in]

| Unit model | Combination unit | | | Pipe A | | Pipe A ₁ *3 | | Pipe A ₂ *3 | | Pipe A ₃ *3 | | Pipe A ₄ | |
|-------------|------------------|--------|--------|---------|--------|------------------------|--------|------------------------|--------|------------------------|--------|---------------------|--------|
| | Unit 1 | Unit 2 | Unit 3 | Liquid | Gas | Liquid | Gas | Liquid | Gas | Liquid | Gas | Liquid | Gas |
| P200YNW-A | - | - | - | ø3/8 | ø7/8 | - | - | - | - | - | - | - | - |
| P250YNW-A | - | - | - | ø3/8 *1 | ø7/8 | - | - | - | - | - | - | - | - |
| P300YNW-A | - | - | - | ø3/8 *2 | ø7/8 | - | - | - | - | - | - | - | - |
| P350YNW-A | - | - | - | ø1/2 | ø1-1/8 | - | - | - | - | - | - | - | - |
| P400YNW-A | - | - | - | ø1/2 | ø1-1/8 | - | - | - | - | - | - | - | - |
| P450YNW-A | - | - | - | ø5/8 | ø1-1/8 | - | - | - | - | - | - | - | - |
| P500YNW-A | - | - | - | ø5/8 | ø1-1/8 | - | - | - | - | - | - | - | - |
| P400YSNW-A | P200 | P200 | - | ø1/2 | ø1-1/8 | ø3/8 | ø7/8 | ø3/8 | ø7/8 | - | - | - | - |
| P450YSNW-A | P250 | P200 | - | ø5/8 | ø1-1/8 | ø3/8 | ø7/8 | ø3/8 | ø7/8 | - | - | - | - |
| P500YSNW-A | P250 | P250 | - | ø5/8 | ø1-1/8 | ø3/8 | ø7/8 | ø3/8 | ø7/8 | - | - | - | - |
| P550YSNW-A | P300 | P250 | - | ø5/8 | ø1-1/8 | ø1/2 | ø1-1/8 | ø3/8 | ø7/8 | - | - | - | - |
| P600YSNW-A | P300 | P300 | - | ø5/8 | ø1-1/8 | ø1/2 | ø1-1/8 | ø1/2 | ø1-1/8 | - | - | - | - |
| P650YSNW-A | P400 | P250 | - | ø5/8 | ø1-1/8 | ø1/2 | ø1-1/8 | ø3/8 | ø7/8 | - | - | - | - |
| P700YSNW-A | P350 | P350 | - | ø3/4 | ø1-3/8 | ø1/2 | ø1-1/8 | ø1/2 | ø1-1/8 | - | - | - | - |
| P750YSNW-A | P400 | P350 | - | ø3/4 | ø1-3/8 | ø5/8 | ø1-1/8 | ø1/2 | ø1-1/8 | - | - | - | - |
| P800YSNW-A | P450 | P350 | - | ø3/4 | ø1-3/8 | ø5/8 | ø1-1/8 | ø1/2 | ø1-1/8 | - | - | - | - |
| P850YSNW-A | P450 | P400 | - | ø3/4 | ø1-5/8 | ø5/8 | ø1-1/8 | ø5/8 | ø1-1/8 | - | - | - | - |
| P900YSNW-A | P450 | P450 | - | ø3/4 | ø1-5/8 | ø5/8 | ø1-1/8 | ø5/8 | ø1-1/8 | - | - | - | - |
| P950YSNW-A | P350 | P350 | P250 | ø3/4 | ø1-5/8 | ø1/2 | ø1-1/8 | ø1/2 | ø1-1/8 | ø3/8 | ø7/8 | ø3/4 | ø1-3/8 |
| P1000YSNW-A | P400 | P350 | P250 | ø3/4 | ø1-5/8 | ø5/8 | ø1-1/8 | ø1/2 | ø1-1/8 | ø3/8 | ø7/8 | ø3/4 | ø1-3/8 |
| P1050YSNW-A | P400 | P400 | P250 | ø3/4 | ø1-5/8 | ø5/8 | ø1-1/8 | ø5/8 | ø1-1/8 | ø3/8 | ø7/8 | ø3/4 | ø1-3/8 |
| P1100YSNW-A | P400 | P350 | P350 | ø3/4 | ø1-5/8 | ø5/8 | ø1-1/8 | ø1/2 | ø1-1/8 | ø1/2 | ø1-1/8 | ø3/4 | ø1-3/8 |
| P1150YSNW-A | P400 | P400 | P350 | ø3/4 | ø1-5/8 | ø5/8 | ø1-1/8 | ø5/8 | ø1-1/8 | ø1/2 | ø1-1/8 | ø3/4 | ø1-3/8 |
| P1200YSNW-A | P400 | P400 | P400 | ø3/4 | ø1-5/8 | ø5/8 | ø1-1/8 | ø5/8 | ø1-1/8 | ø5/8 | ø1-1/8 | ø3/4 | ø1-3/8 |
| P1250YSNW-A | P450 | P400 | P400 | ø3/4 | ø1-5/8 | ø5/8 | ø1-1/8 | ø5/8 | ø1-1/8 | ø5/8 | ø1-1/8 | ø3/4 | ø1-3/8 |
| P1300YSNW-A | P450 | P450 | P400 | ø3/4 | ø1-5/8 | ø5/8 | ø1-1/8 | ø5/8 | ø1-1/8 | ø5/8 | ø1-1/8 | ø3/4 | ø1-3/8 |
| P1350YSNW-A | P450 | P450 | P450 | ø3/4 | ø1-5/8 | ø5/8 | ø1-1/8 | ø5/8 | ø1-1/8 | ø5/8 | ø1-1/8 | ø3/4 | ø1-3/8 |

*1 Use the ø12.7 (ø1/2) pipe if the piping length from the outdoor unit to the farthest indoor unit is 90 m (295 ft) or longer.

*2 Use the ø12.7 (ø1/2) pipe if the piping length from the outdoor unit to the farthest indoor unit is 40 m (131 ft) or longer.

*3 If the combination units 1, 2, and 3 are in a different order as listed in the table, make sure to use the pipes of appropriate size for the situation.

*4 If the pipe length after the first branching point exceeds 40 m (131 ft) (≤ 90 m (295 ft)), use the one size larger liquid pipe for all pipes from indoor units to the first branch.

*5 When the vertical separation between the indoor units is 15 m (49 ft) (≤ 30 m (98 ft)), use the one size larger liquid pipe for all pipes from the lower indoor units to the first branch.

(2) EP models

Pipes A, A₁, A₂, A₃, A₄

[mm]

| Unit model | Combination unit | | | Pipe A | | Pipe A ₁ ^{*3} | | Pipe A ₂ ^{*3} | | Pipe A ₃ ^{*3} | | Pipe A ₄ | |
|--------------|------------------|--------|--------|----------|--------|-----------------------------------|--------|-----------------------------------|--------|-----------------------------------|--------|---------------------|--------|
| | Unit 1 | Unit 2 | Unit 3 | Liquid | Gas | Liquid | Gas | Liquid | Gas | Liquid | Gas | Liquid | Gas |
| EP200YNW-A | - | - | - | ø9.52 | ø22.2 | - | - | - | - | - | - | - | - |
| EP250YNW-A | - | - | - | ø9.52 *1 | ø22.2 | - | - | - | - | - | - | - | - |
| EP300YNW-A | - | - | - | ø9.52 *2 | ø28.58 | - | - | - | - | - | - | - | - |
| EP350YNW-A | - | - | - | ø12.7 | ø28.58 | - | - | - | - | - | - | - | - |
| EP400YNW-A | - | - | - | ø12.7 | ø28.58 | - | - | - | - | - | - | - | - |
| EP450YNW-A | - | - | - | ø15.88 | ø28.58 | - | - | - | - | - | - | - | - |
| EP500YNW-A | - | - | - | ø15.88 | ø28.58 | - | - | - | - | - | - | - | - |
| EP400YSNW-A | EP200 | EP200 | - | ø12.7 | ø28.58 | ø9.52 | ø22.2 | ø9.52 | ø22.2 | - | - | - | - |
| EP450YSNW-A | EP250 | EP200 | - | ø15.88 | ø28.58 | ø9.52 | ø22.2 | ø9.52 | ø22.2 | - | - | - | - |
| EP500YSNW-A | EP250 | EP250 | - | ø15.88 | ø28.58 | ø9.52 | ø22.2 | ø9.52 | ø22.2 | - | - | - | - |
| EP550YSNW-A | EP300 | EP250 | - | ø15.88 | ø28.58 | ø12.7 | ø28.58 | ø9.52 | ø22.2 | - | - | - | - |
| EP600YSNW-A | EP300 | EP300 | - | ø15.88 | ø28.58 | ø12.7 | ø28.58 | ø12.7 | ø28.58 | - | - | - | - |
| EP650YSNW-A | EP400 | EP250 | - | ø15.88 | ø28.58 | ø12.7 | ø28.58 | ø9.52 | ø22.2 | - | - | - | - |
| EP700YSNW-A | EP350 | EP350 | - | ø19.05 | ø34.93 | ø12.7 | ø28.58 | ø12.7 | ø28.58 | - | - | - | - |
| EP750YSNW-A | EP400 | EP350 | - | ø19.05 | ø34.93 | ø15.88 | ø28.58 | ø12.7 | ø28.58 | - | - | - | - |
| EP800YSNW-A | EP450 | EP350 | - | ø19.05 | ø34.93 | ø15.88 | ø28.58 | ø12.7 | ø28.58 | - | - | - | - |
| EP850YSNW-A | EP450 | EP400 | - | ø19.05 | ø41.28 | ø15.88 | ø28.58 | ø15.88 | ø28.58 | - | - | - | - |
| EP900YSNW-A | EP450 | EP450 | - | ø19.05 | ø41.28 | ø15.88 | ø28.58 | ø15.88 | ø28.58 | - | - | - | - |
| EP950YSNW-A | EP350 | EP350 | EP250 | ø19.05 | ø41.28 | ø12.7 | ø28.58 | ø12.7 | ø28.58 | ø9.52 | ø22.2 | ø19.05 | ø34.93 |
| EP1000YSNW-A | EP400 | EP350 | EP250 | ø19.05 | ø41.28 | ø15.88 | ø28.58 | ø12.7 | ø28.58 | ø9.52 | ø22.2 | ø19.05 | ø34.93 |
| EP1050YSNW-A | EP400 | EP400 | EP250 | ø19.05 | ø41.28 | ø15.88 | ø28.58 | ø15.88 | ø28.58 | ø9.52 | ø22.2 | ø19.05 | ø34.93 |
| EP1100YSNW-A | EP400 | EP350 | EP350 | ø19.05 | ø41.28 | ø15.88 | ø28.58 | ø12.7 | ø28.58 | ø12.7 | ø28.58 | ø19.05 | ø34.93 |
| EP1150YSNW-A | EP400 | EP400 | EP350 | ø19.05 | ø41.28 | ø15.88 | ø28.58 | ø15.88 | ø28.58 | ø12.7 | ø28.58 | ø19.05 | ø34.93 |
| EP1200YSNW-A | EP400 | EP400 | EP400 | ø19.05 | ø41.28 | ø15.88 | ø28.58 | ø15.88 | ø28.58 | ø15.88 | ø28.58 | ø19.05 | ø34.93 |
| EP1250YSNW-A | EP450 | EP400 | EP400 | ø19.05 | ø41.28 | ø15.88 | ø28.58 | ø15.88 | ø28.58 | ø15.88 | ø28.58 | ø19.05 | ø34.93 |
| EP1300YSNW-A | EP450 | EP450 | EP400 | ø19.05 | ø41.28 | ø15.88 | ø28.58 | ø15.88 | ø28.58 | ø15.88 | ø28.58 | ø19.05 | ø34.93 |
| EP1350YSNW-A | EP450 | EP450 | EP450 | ø19.05 | ø41.28 | ø15.88 | ø28.58 | ø15.88 | ø28.58 | ø15.88 | ø28.58 | ø19.05 | ø34.93 |

| Unit model | Combination unit | | | Pipe A | | Pipe A ₁ * ³ | | Pipe A ₂ * ³ | | Pipe A ₃ * ³ | | Pipe A ₄ | |
|--------------|------------------|--------|--------|---------------------|--------|------------------------------------|--------|------------------------------------|--------|------------------------------------|--------|---------------------|--------|
| | Unit 1 | Unit 2 | Unit 3 | Liquid | Gas | Liquid | Gas | Liquid | Gas | Liquid | Gas | Liquid | Gas |
| EP200YNW-A | - | - | - | ø3/8 | ø7/8 | - | - | - | - | - | - | - | - |
| EP250YNW-A | - | - | - | ø3/8 * ¹ | ø7/8 | - | - | - | - | - | - | - | - |
| EP300YNW-A | - | - | - | ø3/8 * ² | ø1-1/8 | - | - | - | - | - | - | - | - |
| EP350YNW-A | - | - | - | ø1/2 | ø1-1/8 | - | - | - | - | - | - | - | - |
| EP400YNW-A | - | - | - | ø1/2 | ø1-1/8 | - | - | - | - | - | - | - | - |
| EP450YNW-A | - | - | - | ø5/8 | ø1-1/8 | - | - | - | - | - | - | - | - |
| EP500YNW-A | - | - | - | ø5/8 | ø1-1/8 | - | - | - | - | - | - | - | - |
| EP400YSNW-A | EP200 | EP200 | - | ø1/2 | ø1-1/8 | ø3/8 | ø7/8 | ø3/8 | ø7/8 | - | - | - | - |
| EP450YSNW-A | EP250 | EP200 | - | ø5/8 | ø1-1/8 | ø3/8 | ø7/8 | ø3/8 | ø7/8 | - | - | - | - |
| EP500YSNW-A | EP250 | EP250 | - | ø5/8 | ø1-1/8 | ø3/8 | ø7/8 | ø3/8 | ø7/8 | - | - | - | - |
| EP550YSNW-A | EP300 | EP250 | - | ø5/8 | ø1-1/8 | ø1/2 | ø1-1/8 | ø3/8 | ø7/8 | - | - | - | - |
| EP600YSNW-A | EP300 | EP300 | - | ø5/8 | ø1-1/8 | ø1/2 | ø1-1/8 | ø1/2 | ø1-1/8 | - | - | - | - |
| EP650YSNW-A | EP400 | EP250 | - | ø5/8 | ø1-1/8 | ø1/2 | ø1-1/8 | ø3/8 | ø7/8 | - | - | - | - |
| EP700YSNW-A | EP350 | EP350 | - | ø3/4 | ø1-3/8 | ø1/2 | ø1-1/8 | ø1/2 | ø1-1/8 | - | - | - | - |
| EP750YSNW-A | EP400 | EP350 | - | ø3/4 | ø1-3/8 | ø5/8 | ø1-1/8 | ø1/2 | ø1-1/8 | - | - | - | - |
| EP800YSNW-A | EP450 | EP350 | - | ø3/4 | ø1-3/8 | ø5/8 | ø1-1/8 | ø1/2 | ø1-1/8 | - | - | - | - |
| EP850YSNW-A | EP450 | EP400 | - | ø3/4 | ø1-5/8 | ø5/8 | ø1-1/8 | ø5/8 | ø1-1/8 | - | - | - | - |
| EP900YSNW-A | EP450 | EP450 | - | ø3/4 | ø1-5/8 | ø5/8 | ø1-1/8 | ø5/8 | ø1-1/8 | - | - | - | - |
| EP950YSNW-A | EP350 | EP350 | EP250 | ø3/4 | ø1-5/8 | ø1/2 | ø1-1/8 | ø1/2 | ø1-1/8 | ø3/8 | ø7/8 | ø3/4 | ø1-3/8 |
| EP1000YSNW-A | EP400 | EP350 | EP250 | ø3/4 | ø1-5/8 | ø5/8 | ø1-1/8 | ø1/2 | ø1-1/8 | ø3/8 | ø7/8 | ø3/4 | ø1-3/8 |
| EP1050YSNW-A | EP400 | EP400 | EP250 | ø3/4 | ø1-5/8 | ø5/8 | ø1-1/8 | ø5/8 | ø1-1/8 | ø3/8 | ø7/8 | ø3/4 | ø1-3/8 |
| EP1100YSNW-A | EP400 | EP350 | EP350 | ø3/4 | ø1-5/8 | ø5/8 | ø1-1/8 | ø1/2 | ø1-1/8 | ø1/2 | ø1-1/8 | ø3/4 | ø1-3/8 |
| EP1150YSNW-A | EP400 | EP400 | EP350 | ø3/4 | ø1-5/8 | ø5/8 | ø1-1/8 | ø5/8 | ø1-1/8 | ø1/2 | ø1-1/8 | ø3/4 | ø1-3/8 |
| EP1200YSNW-A | EP400 | EP400 | EP400 | ø3/4 | ø1-5/8 | ø5/8 | ø1-1/8 | ø5/8 | ø1-1/8 | ø5/8 | ø1-1/8 | ø3/4 | ø1-3/8 |
| EP1250YSNW-A | EP450 | EP400 | EP400 | ø3/4 | ø1-5/8 | ø5/8 | ø1-1/8 | ø5/8 | ø1-1/8 | ø5/8 | ø1-1/8 | ø3/4 | ø1-3/8 |
| EP1300YSNW-A | EP450 | EP450 | EP400 | ø3/4 | ø1-5/8 | ø5/8 | ø1-1/8 | ø5/8 | ø1-1/8 | ø5/8 | ø1-1/8 | ø3/4 | ø1-3/8 |
| EP1350YSNW-A | EP450 | EP450 | EP450 | ø3/4 | ø1-5/8 | ø5/8 | ø1-1/8 | ø5/8 | ø1-1/8 | ø5/8 | ø1-1/8 | ø3/4 | ø1-3/8 |

*1 Use the ø12.7 (ø1/2) pipe if the piping length from the outdoor unit to the farthest indoor unit is 90 m (295 ft) or longer.

*2 Use the ø12.7 (ø1/2) pipe if the piping length from the outdoor unit to the farthest indoor unit is 40 m (131 ft) or longer.

*3 If the combination units 1, 2, and 3 are in a different order as listed in the table, make sure to use the pipes of appropriate size for the situation.

*4 If the pipe length after the first branching point exceeds 40 m (131 ft) (≤ 90 m (295 ft)), use the one size larger liquid pipe for all pipes from indoor units to the first branch.

*5 When the vertical separation between the indoor units is 15 m (49 ft) (≤ 30 m (98 ft)), use the one size larger liquid pipe for all pipes from the lower indoor units to the first branch.

Pipes B,C,D

[mm (in)]

| Total capacity of indoor units | Pipe | |
|--------------------------------|---------------|-----------------|
| | Liquid | Gas |
| 140 or below | ø9.52 (ø3/8) | ø15.88 (ø5/8) |
| 141 to 200 | ø9.52 (ø3/8) | ø19.05 (ø3/4) |
| 201 to 300 | ø9.52 (ø3/8) | ø22.2 (ø7/8) |
| 301 to 400 | ø12.7 (ø1/2) | ø28.58 (ø1-1/8) |
| 401 to 650 | ø15.88 (ø5/8) | ø28.58 (ø1-1/8) |
| 651 to 800 | ø19.05 (ø3/4) | ø34.93 (ø1-3/8) |
| 801 or above | ø19.05 (ø3/4) | ø41.28 (ø1-5/8) |

Pipes a,b,c,d,e

[mm (in)]

| Capacity index of indoor unit | Pipe | |
|-------------------------------|--------------|---------------|
| | Liquid | Gas |
| 20, 25, 32, 40, 50 | ø6.35 (ø1/4) | ø12.7 (ø1/2) |
| 63, 71, 80, 100, 125, 140 | ø9.52 (ø3/8) | ø15.88 (ø5/8) |
| 200 | ø9.52 (ø3/8) | ø19.05 (ø3/4) |
| 250 | ø9.52 (ø3/8) | ø22.2 (ø7/8) |

9-5. Piping connections and valve operations

WARNING

Before heating the brazed sections, remove the gas and oil that are trapped in the pipes.

- Failure to do so may generate fire, resulting in serious injury.

Ventilate the room while servicing the unit.

- If the refrigerant leaks, oxygen deficiency may result. If the leaked refrigerant comes in contact with a heat source, toxic gas will be generated.

CAUTION

Store pipes indoors, and keep both ends of the pipes sealed until just before making a flare connection or brazing. (Store elbows and other joints in plastic bags.)

- If dust, dirt, or water enters the refrigerant lines, the refrigerant oil will deteriorate and the compressor will malfunction.

Keep the service valves closed until refrigerant charging is completed.

- Failure to do so will damage the unit.

Place a wet towel on the service valves before brazing the pipes to keep the temperature of the valves from rising above 120°C (248°F).

- Failure to do so may result in equipment damage.

Keep the flame out of contact with the cables and metal sheet when brazing the pipes.

- Failure to do so may result in burnout or malfunction.

Braze the pipes with a nitrogen purge to avoid oxidation.

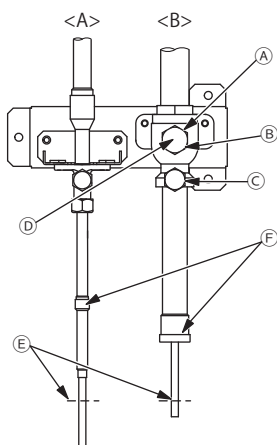
- Oxidized flux inside the refrigerant pipes will cause the refrigerant oil to deteriorate and cause the compressor to malfunction.

9-5-1. Removing the pinched connecting pipes

The unit is shipped with the pinched connecting pipes attached to the liquid- and gas-side service valves to prevent gas leakage.

Take the following steps ① through ③ to remove the pinched connecting pipes before connecting refrigerant pipes to the outdoor unit.

- ① Check that the service valves are fully closed (turned clockwise all the way).
- ② Remove the gas in the pinched connecting pipes, and drain out all the refrigerant oil. (See ⑤ below.)
- ③ Remove the pinched connecting pipes. (See ⑥ below.)



<A> Refrigerant service valve (liquid/brazed)

 Refrigerant service valve (gas/brazed)

Ⓐ Valve shaft

The unit is shipped with the valve closed. Keep the valve closed while connecting pipes or evacuating the system. Open the valve upon completion of this work.

Turn the shaft counterclockwise as far as it will go (90°) to open the valve, and clockwise to close it.

Ⓑ Stopper pin

Prevents the shaft from turning 90° or more.

Ⓒ Service port

Through the service ports, you can charge refrigerant, remove the gas in the pinched connecting pipes, or evacuate the system.

Ⓓ Cap

Remove the cap before turning the shaft. Put the cap back on upon completion of all work.

Ⓔ Severed section of the pinched connecting pipe

Ⓕ Brazed section of the pinched connecting pipe

9-5-2. Connecting pipes

- The refrigerant pipe from the outdoor unit is branched at the pipe end, and each branch is then connected to an indoor unit.

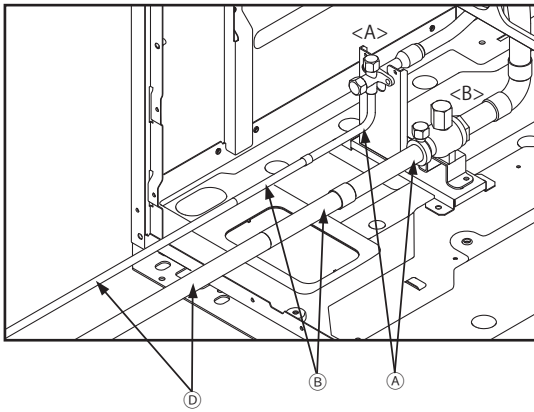
| | | Connecting method |
|------------------|-------------|-------------------|
| Indoor unit | | Brazed or flared |
| Outdoor unit | Gas pipe | Brazed |
| | Liquid pipe | Brazed |
| Branched section | | Brazed |

- When connecting pipes, make sure the service valves are completely closed.
- Commercially available pipes often contain dust or debris. Always blow them clean with a dry inert gas.
- Take care to prevent dust, water or other contaminants from entering the pipes during installation.
- Reduce the number of bending portions as much as possible, and make the bending radius as big as possible.
- Do not use any commercially available anti-oxidizing agents since they may cause pipe corrosion and degrading of the refrigerant oil. Please contact Mitsubishi Electric for more details.
- Make sure that the pipes are not in contact with each other, unit panels, or base plates.
- Refer to the twinning kit Installation Manual for how to install the twinning kit.

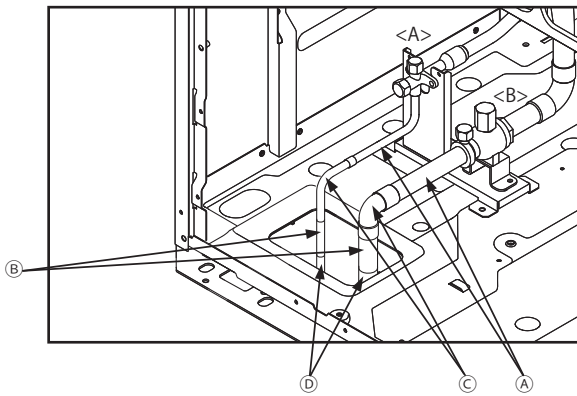
<Refrigerant piping connection examples>

- Obtain joints and elbows on site as necessary according to the pipe diameter, and connect the pipes as shown in the figures below.

(1) When routing the pipes through the front of the unit



(2) When routing the pipes through the bottom of the unit



- <A> Liquid side
- Gas side
- Ⓐ Refrigerant service valve piping
- Ⓑ Reducer etc.
- Ⓒ Elbow
- Ⓓ On-site piping

<Reference> Size of refrigerant pipes

| | | On-site piping [mm (in)] | | Service valve piping [mm (in)] | |
|------|------|--------------------------|-----------------|--------------------------------|-----------------|
| | | Liquid | Gas | Liquid | Gas |
| P200 | | ø9.52 (ø3/8) | ø22.2 (ø7/8) | ø9.52 (ø3/8) | ø22.2(Φ7/8) |
| P250 | *1 | ø9.52 (ø3/8) | | | |
| | *2 | ø12.7 (ø1/2) | | | |
| P300 | *3 | ø9.52 (ø3/8) | | | |
| | *4*6 | ø12.7 (ø1/2) | | | |
| P350 | | ø12.7 (ø1/2) | ø28.58 (ø1-1/8) | ø12.7(Φ1/2) | ø28.58 (ø1-1/8) |
| P400 | *5 | ø12.7 (ø1/2) | | | |
| | *6 | ø15.88 (ø5/8) | | | |
| P450 | | ø15.88 (ø5/8) | | | |
| P500 | | ø15.88 (ø5/8) | | | |

| | | On-site piping [mm (in)] | | Service valve piping [mm (in)] | |
|-------|------|--------------------------|-----------------|--------------------------------|-----------------|
| | | Liquid | Gas | Liquid | Gas |
| EP200 | | ø9.52 (ø3/8) | ø22.2 (ø7/8) | ø9.52 (ø3/8) | ø22.2(Φ7/8) |
| EP250 | *1 | ø9.52 (ø3/8) | | | |
| | *2 | ø12.7 (ø1/2) | | | |
| EP300 | *3 | ø9.52 (ø3/8) | | | |
| | *4*6 | ø12.7 (ø1/2) | | | |
| EP350 | | ø12.7 (ø1/2) | ø28.58 (ø1-1/8) | ø12.7(Φ1/2) | ø28.58 (ø1-1/8) |
| EP400 | *5 | ø12.7 (ø1/2) | | | |
| | *6 | ø15.88 (ø5/8) | | | |
| EP450 | | ø15.88 (ø5/8) | | | |
| EP500 | | ø15.88 (ø5/8) | | | |

*1 When the piping length from the outdoor unit to the farthest indoor unit is less than 90 m (295 ft)

*2 When the piping length from the outdoor unit to the farthest indoor unit is 90 m (295 ft) or more

*3 When the piping length from the outdoor unit to the farthest indoor unit is less than 40 m (131 ft)

*4 When the piping length from the outdoor unit to the farthest indoor unit is 40 m (131 ft) or more

*5 When the unit is used alone

*6 When the unit is used in combination with other outdoor units

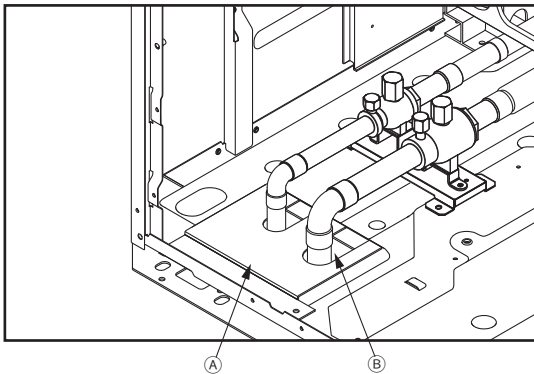
- When expanding the on-site piping, satisfy the minimum insertion depth requirement as follows.

| Pipe size [mm (in)] | Minimum insertion depth [mm (in)] |
|---|-----------------------------------|
| ø5 (ø1/4) or more, less than ø8 (ø3/8) | 6 (1/4) |
| ø8 (ø3/8) or more, less than ø12 (ø1/2) | 7 (5/16) |
| ø12 (ø1/2) or more, less than ø16 (ø11/16) | 8 (3/8) |
| ø16 (ø11/16) or more, less than ø25 (ø1) | 10 (7/16) |
| ø25 (ø1) or more, less than ø35 (ø1-7/16) | 12 (1/2) |
| ø35 (ø1-7/16) or more, less than ø45 (ø1-13/16) | 14 (9/16) |

9-5-3. Sealing the openings around the pipes

! WARNING

Seal all openings around pipes and wires to keep out small animals, rainwater, or snow.
- Failure to do so may result in current leakage, electric shock, or damage to the unit.



- Ⓐ Example of closure materials (not supplied)
- Ⓑ Fill the openings

9-6. Air-tightness test

! WARNING

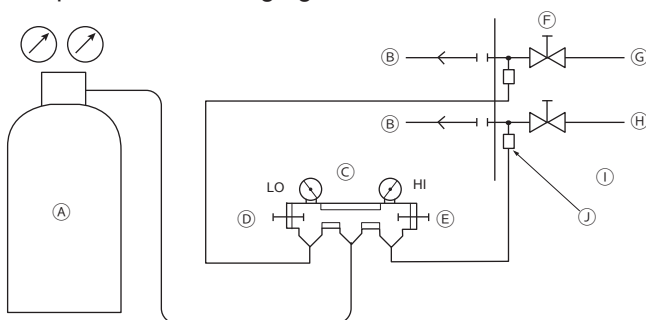
Do not use oxygen, flammable gas, or a refrigerant containing chlorine for air-tightness testing.

- Doing so may result in an explosion. Chlorine will deteriorate the refrigerant oil.

After refrigerant pipe installation is completed, check the system for leaks by conducting an air-tightness test. If there is a leak, the composition of the refrigerant will change and the performance will drop.

<Air-tightness test procedures>

- ① Make sure the service valves are closed.
- ② Add pressure to the refrigerant pipes through the service ports of the liquid and gas pipes.
* Pressurize to the design pressure (4.15 MPa) using nitrogen gas.
- ③ If the pressure holds for one day and does not decrease, the pipes have passed the test and there are no leaks. If the pressure decreases, there is a leak. Look for the source of the leak by spraying a bubbling agent (e.g., Gupoflex) on the flared or brazed sections.
- ④ Wipe off the bubbling agent.



- Ⓐ Nitrogen gas
- Ⓑ To indoor unit
- Ⓒ Gauge manifold
- Ⓓ Low pressure knob
- Ⓔ High pressure knob
- Ⓕ Service valve
- Ⓖ Liquid piping
- Ⓗ Gas piping
- Ⓘ Outdoor unit
- Ⓝ Service port

9-7. Thermal insulation for pipes

CAUTION

Insulate pipes to prevent condensation.

- Condensation may collect and drip from the unit onto the ceiling or floor.

Insulate the liquid and gas pipes separately with polyethylene foam insulation materials. Inadequate insulation may cause condensation to drip. Pipes in the ceiling are especially vulnerable to condensation and require adequate insulation.

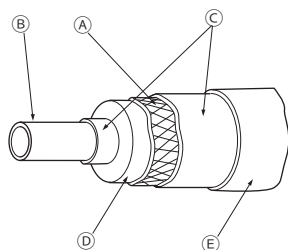
9-7-1. Insulation material

- Check that the insulation materials meet the standards in the table below.

| | Pipe size [mm (in)] | |
|---------------------|-------------------------|---------------------------------|
| | ø6.35 (ø1/4)–ø25.4 (ø1) | ø28.58 (ø1-1/8)–ø41.28 (ø1-5/8) |
| Thickness [mm (in)] | Min. 10 (7/16) | Min. 15 (5/8) |
| Heat resistance | Min. 120°C (248°F) | |

* The insulation thickness may need to be increased in high-temperature/humidity conditions.

* Even when specifications are defined by your client, the standards in the table should be met.

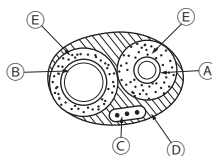
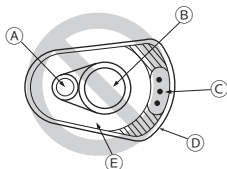


- (A) Steel wire
- (B) Pipe
- (C) Oily mastic asphalt or asphalt
- (D) Insulation material A
- (E) Outer covering B

| | | |
|-----------------------|---|---|
| Insulation material A | Glass fiber + Steel wire | |
| | Adhesive + Heat-resistant polyethylene foam + Adhesive tape | |
| Outer covering B | Indoor | Vinyl tape |
| | Under the floor and exposed | Waterproof hemp cloth + Bronze asphalt |
| | Outdoor | Waterproof hemp cloth + Zinc plate + Oily paint |

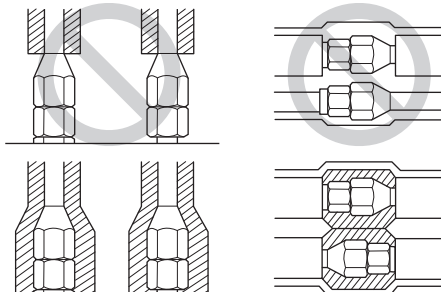
* If a polyethylene cover is used as an outer covering, asphalt roofing is not necessary.

- Do not insulate the electric wires.



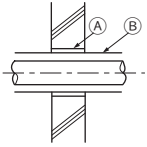
- (A) Liquid pipe
- (B) Gas pipe
- (C) Electric wire
- (D) Finishing tape
- (E) Insulation material

- Make sure that the pipe connections all the way from the indoor unit are properly insulated.

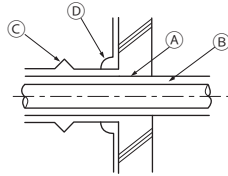


9-7-2. Insulation for the section of the pipe that goes through a wall

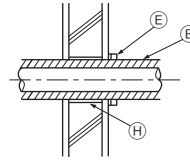
(1) Inner wall (concealed)



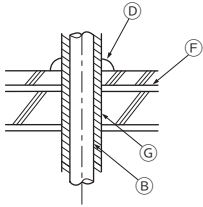
(2) Outer wall



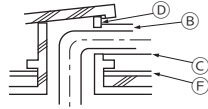
(3) Outer wall (exposed)



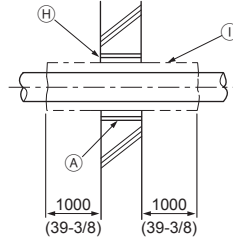
(4) Floor (waterproof)



(5) Rooftop pipe shaft



(6) Protecting the penetrating parts in a fire limit zone or through a parting wall



[mm (in)]

- (A) Sleeve
- (B) Insulation material
- (C) Lagging
- (D) Caulking material
- (E) Band
- (F) Waterproof layer
- (G) Sleeve with a flange
- (H) Caulk with a nonflammable material such as mortar.
- (I) Nonflammable insulation material

- When caulking the gaps with mortar, cover the section of the pipe that goes through the wall with a metal sheet to prevent the insulation material from sagging. For this section, use nonflammable insulation and covering materials. (Vinyl tape should not be used.)

9-8. Evacuation of the system

! WARNING

Do not purge the air using refrigerant. Use a vacuum pump to evacuate the system.

- Residual gas in the refrigerant lines will cause bursting of the pipes or an explosion.

CAUTION

Use a vacuum pump with a check valve.

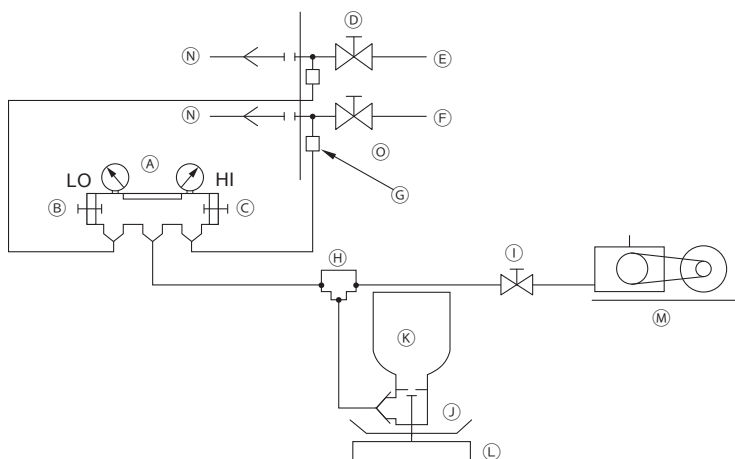
- If the vacuum pump oil flows back into the refrigerant lines, the refrigerant oil may deteriorate and the compressor may malfunction.

<Evacuation procedures>

- ① Evacuate the system from both service ports, using a vacuum pump with the service valves closed.
- ② After the vacuum reaches 650 Pa, continue evacuation for at least one hour.
- ③ Stop the vacuum pump and leave it for an hour.
- ④ Verify that the vacuum has not increased by more than 130 Pa.
- ⑤ If the vacuum has increased by more than 130 Pa, water infiltration is suspected. Pressurize the system with dry nitrogen gas up to 0.05 MPa. Repeat ① though ⑤ until the vacuum is increased by 130 Pa or below. If the results persist, then perform the "Triple Evacuation" below.

<Triple Evacuation>

- ① Evacuate the system to 533 Pa from both service ports, using a vacuum pump.
- ② Pressurize the system with dry nitrogen gas up to 0 Pa from the discharge service port.
- ③ Evacuate the system to 200 Pa from the suction service port, using a vacuum pump.
- ④ Pressurize the system with dry nitrogen gas up to 0 Pa from the discharge service port.
- ⑤ Evacuate the system from both service ports, using a vacuum pump.
- ⑥ After the vacuum reaches 66.7 Pa, stop the vacuum pump and leave it for an hour. A vacuum of 66.7 Pa must be maintained for at least one hour.
- ⑦ Verify that the vacuum has not increased for at least 30 minutes.



- Ⓐ Gauge manifold
- Ⓑ Low pressure knob
- Ⓒ High pressure knob
- Ⓓ Service valve
- Ⓔ Liquid piping
- Ⓕ Gas piping
- Ⓖ Service port
- Ⓗ Three-way joint
- Ⓘ Valve (vacuum pump)
- Ⓝ Valve (for charging refrigerant)
- Ⓚ Refrigerant tank
- Ⓛ Scale
- Ⓜ Vacuum pump
- Ⓝ To indoor unit
- Ⓞ Outdoor unit

- Use a scale that can measure down to 0.1 kg (0.1 oz).
- Recommended vacuum gauge: ROBINAIR 14830A Thermistor Vacuum Gauge or Micron Gauge
- Do not use a gauge manifold to measure the vacuum pressure.
- Use a vacuum pump capable of attaining a vacuum of 65 Pa (abs) within five minutes of operation.

9-9. Additional refrigerant charge

CAUTION

Charge refrigerant in a liquid state.

- Charging refrigerant in the gaseous state will change the composition of the refrigerant and lead to a performance drop.

Do not use a charging cylinder when charging refrigerant.

- The use of a charging cylinder may change the composition of the refrigerant and lead to a performance drop.

The table below summarizes the factory-charged amount of refrigerant, the maximum amount of refrigerant to be added on site, and the maximum total amount of refrigerant in the system.

| Unit model | Factory-charged amount | Maximum amount to be added on site | Maximum total amount in the system | [kg (oz)] | | | |
|-------------|------------------------|------------------------------------|------------------------------------|--------------|------------------------|------------------------------------|------------------------------------|
| | | | | Unit model | Factory-charged amount | Maximum amount to be added on site | Maximum total amount in the system |
| P200YNW-A | 6.5 (230) | 15.9 (561) | 22.4 (791) | EP200YNW-A | 6.5 (230) | 15.9 (561) | 22.4 (791) |
| P250YNW-A | 6.5 (230) | 22.9 (809) | 29.4 (1039) | EP250YNW-A | 6.5 (230) | 22.9 (808) | 29.4 (1038) |
| P300YNW-A | 6.5 (230) | 23.4 (825) | 29.9 (1054) | EP300YNW-A | 6.5 (230) | 23.4 (826) | 29.9 (1055) |
| P350YNW-A | 9.8 (346) | 24.0 (845) | 33.8 (1191) | EP350YNW-A | 9.8 (346) | 24.0 (845) | 33.8 (1191) |
| P400YNW-A | 9.8 (346) | 24.4 (861) | 34.2 (1207) | EP400YNW-A | 10.8 (381) | 24.3 (858) | 35.1 (1239) |
| P450YNW-A | 10.8 (381) | 32.2 (1135) | 43.0 (1516) | EP450YNW-A | 10.8 (381) | 32.2 (1135) | 43.0 (1516) |
| P500YNW-A | 10.8 (381) | 33.1 (1167) | 43.9 (1548) | EP500YNW-A | 10.8 (381) | 33.1 (1167) | 43.9 (1548) |
| P400YSNW-A | 13.0 (459) | 32.0 (1128) | 45.0 (1586) | EP400YSNW-A | 13.0 (459) | 32.0 (1128) | 45.0 (1586) |
| P450YSNW-A | 13.0 (459) | 32.0 (1128) | 45.0 (1586) | EP450YSNW-A | 13.0 (459) | 32.0 (1128) | 45.0 (1586) |
| P500YSNW-A | 13.0 (459) | 32.9 (1159) | 45.9 (1618) | EP500YSNW-A | 13.0 (459) | 32.9 (1159) | 45.9 (1618) |
| P550YSNW-A | 13.0 (459) | 34.7 (1223) | 47.7 (1681) | EP550YSNW-A | 13.0 (459) | 34.7 (1225) | 47.7 (1683) |
| P600YSNW-A | 13.0 (459) | 34.7 (1223) | 47.7 (1681) | EP600YSNW-A | 13.0 (459) | 34.7 (1225) | 47.7 (1683) |
| P650YSNW-A | 16.3 (575) | 35.2 (1243) | 51.5 (1818) | EP650YSNW-A | 17.3 (611) | 35.1 (1239) | 52.4 (1850) |
| P700YSNW-A | 19.6 (692) | 44.8 (1581) | 64.4 (2272) | EP700YSNW-A | 19.6 (692) | 44.8 (1581) | 64.4 (2272) |
| P750YSNW-A | 19.6 (692) | 44.8 (1581) | 64.4 (2272) | EP750YSNW-A | 20.6 (727) | 44.7 (1577) | 65.3 (2304) |
| P800YSNW-A | 20.6 (727) | 44.7 (1577) | 65.3 (2304) | EP800YSNW-A | 20.6 (727) | 44.7 (1577) | 65.3 (2304) |
| P850YSNW-A | 20.6 (727) | 46.5 (1641) | 67.1 (2367) | EP850YSNW-A | 21.6 (762) | 46.4 (1637) | 68.0 (2399) |
| P900YSNW-A | 21.6 (762) | 46.4 (1637) | 68.0 (2399) | EP900YSNW-A | 21.6 (762) | 46.4 (1637) | 68.0 (2399) |
| P950YSNW-A | 26.1 (921) | 45.9 (1621) | 72.0 (2542) | EP950YSNW-A | 26.1 (921) | 45.9 (1621) | 72.0 (2542) |
| P1000YSNW-A | 26.1 (921) | 45.9 (1621) | 72.0 (2542) | EP1000YSNW-A | 27.1 (956) | 45.8 (1618) | 72.9 (2574) |
| P1050YSNW-A | 26.1 (921) | 45.9 (1621) | 72.0 (2542) | EP1050YSNW-A | 28.1 (992) | 45.7 (1614) | 73.8 (2605) |
| P1100YSNW-A | 29.4 (1038) | 45.6 (1610) | 75.0 (2647) | EP1100YSNW-A | 30.4 (1073) | 45.5 (1606) | 75.9 (2678) |
| P1150YSNW-A | 29.4 (1038) | 45.6 (1610) | 75.0 (2647) | EP1150YSNW-A | 31.4 (1108) | 45.4 (1602) | 76.8 (2710) |
| P1200YSNW-A | 29.4 (1038) | 45.6 (1610) | 75.0 (2647) | EP1200YSNW-A | 32.4 (1143) | 45.3 (1599) | 77.7 (2742) |
| P1250YSNW-A | 30.4 (1073) | 47.3 (1669) | 77.7 (2742) | EP1250YSNW-A | 32.4 (1143) | 47.1 (1662) | 79.5 (2805) |
| P1300YSNW-A | 31.4 (1108) | 47.2 (1666) | 78.6 (2774) | EP1300YSNW-A | 32.4 (1143) | 47.1 (1662) | 79.5 (2805) |
| P1350YSNW-A | 32.4 (1143) | 47.1 (1662) | 79.5 (2805) | EP1350YSNW-A | 32.4 (1143) | 47.1 (1662) | 79.5 (2805) |

Both refrigerant overcharge and undercharge will cause problems. Charge the system with the proper amount of refrigerant.

Record the added refrigerant amount on the label attached to the control box panel for future servicing.

9-9-1. Calculation of the amount of additional refrigerant

- The amount of refrigerant to be added depends on the size and the total length of the liquid piping.
- Calculate the amount of refrigerant to be charged according to the formula below.
- Round up the calculation result to the nearest 0.1 kg (0.1 oz).

(1) Units "m" and "kg"

<Formula>

- When the piping length from the outdoor unit to the farthest indoor unit is 30.5 m (100 ft) or shorter

$$\text{Amount of additional charge (kg)} = \begin{matrix} \text{ø19.05 total length} \\ \times 0.29 \text{ (kg/m)} \end{matrix} + \begin{matrix} \text{ø15.88 total length} \\ \times 0.2 \text{ (kg/m)} \end{matrix} + \begin{matrix} \text{ø12.7 total length} \\ \times 0.12 \text{ (kg/m)} \end{matrix} + \begin{matrix} \text{ø9.52 total length} \\ \times 0.06 \text{ (kg/m)} \end{matrix} + \begin{matrix} \text{ø6.35 total length} \\ \times 0.024 \text{ (kg/m)} \end{matrix}$$

| Outdoor unit model | Amount (kg) | Total capacity of connected indoor units | Amount (kg) |
|--------------------|-------------|--|-------------|
| (E)P200 | 0 | 80 or below | 2.0 |
| (E)P250 | 0 | 81 to 160 | 2.5 |
| (E)P300 | 0 | 161 to 330 | 3.0 |
| (E)P350 | 0 | 331 to 390 | 3.5 |
| (E)P400 | 0 | 391 to 480 | 4.5 |
| (E)P450 | 0 | 481 to 630 | 5.0 |
| (E)P500 | 0 | 631 to 710 | 6.0 |
| | | 711 to 800 | 8.0 |
| | | 801 to 890 | 9.0 |
| | | 891 to 1070 | 10.0 |
| | | 1071 to 1250 | 12.0 |
| | | 1251 or above | 14.0 |

* Amount of refrigerant to be charged for single-module units

- When the piping length from the outdoor unit to the farthest indoor unit is longer than 30.5 m (100 ft)

$$\text{Amount of additional charge (kg)} = \begin{matrix} \text{ø19.05 total length} \\ \times 0.26 \text{ (kg/m)} \end{matrix} + \begin{matrix} \text{ø15.88 total length} \\ \times 0.18 \text{ (kg/m)} \end{matrix} + \begin{matrix} \text{ø12.7 total length} \\ \times 0.11 \text{ (kg/m)} \end{matrix} + \begin{matrix} \text{ø9.52 total length} \\ \times 0.054 \text{ (kg/m)} \end{matrix} + \begin{matrix} \text{ø6.35 total length} \\ \times 0.021 \text{ (kg/m)} \end{matrix}$$

| Outdoor unit model | Amount (kg) | Total capacity of connected indoor units | Amount (kg) |
|--------------------|-------------|--|-------------|
| (E)P200 | 0 | 80 or below | 2.0 |
| (E)P250 | 0 | 81 to 160 | 2.5 |
| (E)P300 | 0 | 161 to 330 | 3.0 |
| (E)P350 | 0 | 331 to 390 | 3.5 |
| (E)P400 | 0 | 391 to 480 | 4.5 |
| (E)P450 | 0 | 481 to 630 | 5.0 |
| (E)P500 | 0 | 631 to 710 | 6.0 |
| | | 711 to 800 | 8.0 |
| | | 801 to 890 | 9.0 |
| | | 891 to 1070 | 10.0 |
| | | 1071 to 1250 | 12.0 |
| | | 1251 or above | 14.0 |

* Amount of refrigerant to be charged for single-module units

* When connecting PEFY-P50/63/71/80VMHS2-E, add 2.7 kg of refrigerant per indoor unit.

* When connecting LEV kit (PAC-LV11M-J), additional refrigerant charge may be required. Contact your dealer for details.

<Example>

Outdoor unit model: P300

Total capacity of connected indoor units: 361

* Refer to the pipe connection examples in section 9-4 for the pipes marked with the letters below.

A : ø12.7; 40 m

B : ø9.52; 10 m

C : ø9.52; 15 m

D : ø9.52; 10 m

a : ø9.52; 10 m

b : ø9.52; 5 m

c : ø6.35; 10 m

d : ø6.35; 10 m

e : ø9.52; 10 m

The total length of each liquid piping is as follows:

∅12.7 total length: 40 (A)

∅9.52 total length: 10 (B) + 15 (C) + 10 (D) + 10 (a) + 5 (b) + 10 (e) = 60

∅6.35 total length: 10 (c) + 10 (d) = 20

Therefore, when the piping length from the outdoor unit to the farthest indoor unit is longer than 30.5 m (100 ft),

$$\begin{aligned} \text{Amount of additional charge} &= (40 \times 0.11) + (60 \times 0.054) + (20 \times 0.021) + 0 + 3.5 \\ &= 11.6 \text{ kg (Fractions are rounded up.)} \end{aligned}$$

(2) Units "ft" and "oz"

<Formula>

- When the piping length from the outdoor unit to the farthest indoor unit is 30.5 m (100 ft) or shorter

$$\begin{aligned} \text{Amount of additional charge (oz)} &= \left[\begin{array}{l} \text{∅3/4 total length} \\ \times 3.1 \text{ (oz/ft)} \end{array} \right] + \left[\begin{array}{l} \text{∅5/8 total length} \\ \times 2.15 \text{ (oz/ft)} \end{array} \right] + \left[\begin{array}{l} \text{∅1/2 total length} \\ \times 1.29 \text{ (oz/ft)} \end{array} \right] + \left[\begin{array}{l} \text{∅3/8 total length} \\ \times 0.65 \text{ (oz/ft)} \end{array} \right] + \left[\begin{array}{l} \text{∅1/4 total length} \\ \times 0.26 \text{ (oz/ft)} \end{array} \right] \end{aligned}$$

| Outdoor unit model | Amount (oz) | Total capacity of connected indoor units | Amount (oz) |
|--------------------|-------------|--|-------------|
| (E)P200 | 0 | 80 or below | 71 |
| (E)P250 | 0 | 81 to 160 | 89 |
| (E)P300 | 0 | 161 to 330 | 106 |
| (E)P350 | 0 | 331 to 390 | 124 |
| (E)P400 | 0 | 391 to 480 | 160 |
| (E)P450 | 0 | 481 to 630 | 177 |
| (E)P500 | 0 | 631 to 710 | 212 |
| | | 711 to 800 | 283 |
| | | 801 to 890 | 318 |
| | | 891 to 1070 | 353 |
| | | 1071 to 1250 | 424 |
| | | 1251 or above | 494 |

* Amount of refrigerant to be charged for single-module units

- When the piping length from the outdoor unit to the farthest indoor unit is longer than 30.5 m (100 ft)

$$\begin{aligned} \text{Amount of additional charge (oz)} &= \left[\begin{array}{l} \text{∅3/4 total length} \\ \times 2.80 \text{ (oz/ft)} \end{array} \right] + \left[\begin{array}{l} \text{∅5/8 total length} \\ \times 1.94 \text{ (oz/ft)} \end{array} \right] + \left[\begin{array}{l} \text{∅1/2 total length} \\ \times 1.19 \text{ (oz/ft)} \end{array} \right] + \left[\begin{array}{l} \text{∅3/8 total length} \\ \times 0.58 \text{ (oz/ft)} \end{array} \right] + \left[\begin{array}{l} \text{∅1/4 total length} \\ \times 0.23 \text{ (oz/ft)} \end{array} \right] \end{aligned}$$

| Outdoor unit model | Amount (oz) | Total capacity of connected indoor units | Amount (oz) |
|--------------------|-------------|--|-------------|
| (E)P200 | 0 | 80 or below | 71 |
| (E)P250 | 0 | 81 to 160 | 89 |
| (E)P300 | 0 | 161 to 330 | 106 |
| (E)P350 | 0 | 331 to 390 | 124 |
| (E)P400 | 0 | 391 to 480 | 160 |
| (E)P450 | 0 | 481 to 630 | 177 |
| (E)P500 | 0 | 631 to 710 | 212 |
| | | 711 to 800 | 283 |
| | | 801 to 890 | 318 |
| | | 891 to 1070 | 353 |
| | | 1071 to 1250 | 424 |
| | | 1251 or above | 494 |

* Amount of refrigerant to be charged for single-module units

* When connecting PEFY-P50/63/71/80VMHS2-E, add 96 oz of refrigerant per indoor unit.

* When connecting LEV kit (PAC-LV11M-J), additional refrigerant charge may be required. Contact your dealer for details.

<Example>

Outdoor unit model: P300

Total capacity of connected indoor units: 361

* Refer to the pipe connection examples in section 9-4 for the pipes marked with the letters below.

A : ∅1/2; 131 ft

B : ∅3/8; 32 ft

C : ∅3/8; 49 ft

D : ∅3/8; 32 ft

a : ∅3/8; 32 ft

b : ∅3/8; 16 ft

c : ∅1/4; 32 ft

d : ∅1/4; 32 ft

e : $\varnothing 3/8$; 32 ft

The total length of each liquid piping is as follows:

$\varnothing 1/2$ total length: 131 (A)

$\varnothing 3/8$ total length: 32 (B) + 49 (C) + 32 (D) + 32 (a) + 16 (b) + 32 (e) = 193

$\varnothing 1/4$ total length: 32 (c) + 32 (d) = 64

Therefore, when the piping length from the outdoor unit to the farthest indoor unit is longer than 30.5 m (100 ft),

$$\begin{aligned} \text{Amount of additional charge} &= (131 \times 1.19) + (193 \times 0.58) + (64 \times 0.23) + 0 + 124 \\ &= 406.6 \text{ oz (Fractions are rounded up.)} \end{aligned}$$

9-9-2. Charging additional refrigerant

Charge the calculated amount of refrigerant in the liquid state to the unit through the service port after the completion of piping work. Upon completion of all work, securely tighten all service port caps and shaft caps to prevent refrigerant leakage.

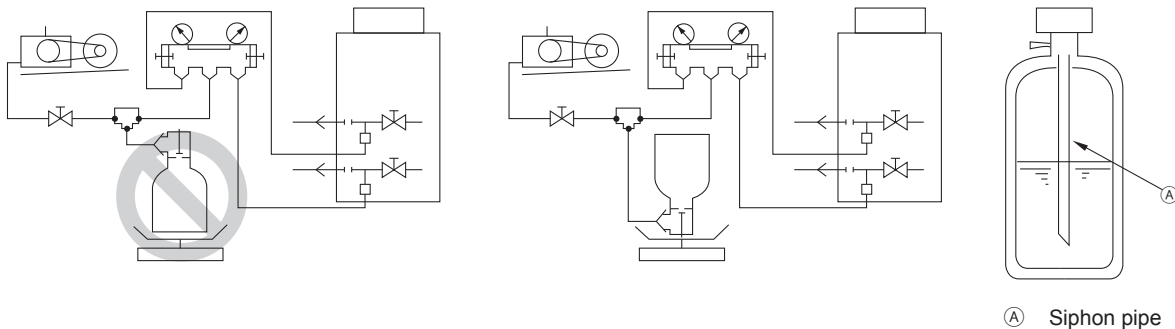
GB

<Notice>

- Do not vent the refrigerant into the atmosphere.
- Refer to the table below for the appropriate tightening torque.

| Pipe size [mm (in)] | Shaft cap (N·m) | Shaft (N·m) | Size of hexagonal wrench [mm (in)] | Service port cap (N·m) |
|---|-----------------|-------------|------------------------------------|------------------------|
| $\varnothing 9.52$ ($\varnothing 3/8$) | 22 | - | - | 12 |
| $\varnothing 12.7$ ($\varnothing 1/2$) | 27 | - | - | |
| $\varnothing 15.88$ ($\varnothing 5/8$) | 32 | - | - | |
| $\varnothing 22.2$ ($\varnothing 7/8$) | 22 | - | - | 16 |
| $\varnothing 28.58$ ($\varnothing 1-1/8$) | 22 | - | - | 16 |

- If the refrigerant tank does not have a siphon pipe, charge the liquid refrigerant with the tank upside-down as shown in the figure below.



Ⓐ Siphon pipe

- After evacuation and refrigerant charging, ensure that the service valves are fully open. Do not operate the unit with the service valves closed.

10. Electrical work

WARNING

Electrical work must be performed by qualified personnel in accordance with local regulations and the instructions provided in this manual. Only use the specified cables and dedicated circuits.

- Inadequate power source capacity or improper electrical work will result in electric shock, malfunction, or fire.
-

Proper grounding must be provided by qualified personnel.

- Improper grounding may result in electric shock, fire, explosion, or malfunction due to electrical noise. Do not connect the ground wire to gas or water pipes, lightning rods, or telephone ground wires.

10-1. Before electrical work

- When performing electrical work, refer to the indoor unit or controller installation manuals as well.
- Bear in mind ambient conditions (ambient temperature, direct sunlight, rain water, etc.) when proceeding with the wiring and connections.
- When opening or closing the front panel of the control box, do not let it come into contact with any of the internal components.
- Specific wiring requirements should adhere to the wiring regulations of the region.
- Include some slack in the wiring for the control box on the indoor and outdoor units, because these boxes are sometimes removed at the time of service work.

10-2. Power cables and device capacity

WARNING

Include some slack in the power cables.

- Failure to do so may break or overheat the cables, resulting in smoke or fire.
-

Install an inverter circuit breaker on the power supply of each unit.

- Failure to do so may result in electric shock or fire.
-

Only use properly rated breakers (an earth leakage breaker, local switch <a switch + fuse that meets local electrical codes>, or overcurrent breaker).

- Failure to do so may result in electric shock, malfunction, smoke, or fire.
-

Only use standard power cables of sufficient capacity.

- Failure to do so may result in current leakage, overheating, smoke, or fire.
-

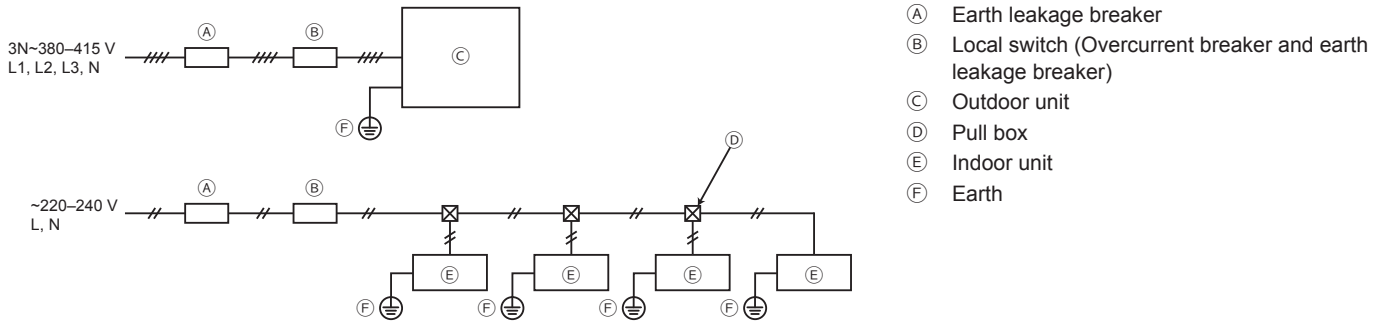
Tighten all terminal screws to the specified torque.

- Loose screws and contact failure may result in smoke or fire.
-

CAUTION

If a large electric current flows due to a malfunction or faulty wiring, earth-leakage breakers on the unit side and on the upstream side of the power supply system could both operate. Depending on the importance of the system, separate the power supply system or take protective coordination of breakers.

• Wiring example



- Be sure to use the appropriate type of overcurrent breaker. Note that generated overcurrent may include some amount of direct current.
- Select the type of breaker for an inverter circuit as an earth leakage breaker. (Mitsubishi Electric NV-S series or its equivalent)
- The earth leakage breaker should be used in combination with a local switch.
- Use a local switch with at least 3 mm (1/8 in) contact separation in each pole.
- Do not connect the power cables L1, L2, and L3 to N. Ensure the correct phase sequence.
- If the power cable is damaged, it must be replaced by the manufacturer, its service agent or similarly qualified persons in order to avoid a hazard.
- Use dedicated power cables for the outdoor unit and indoor unit. Ensure OC and OS are wired individually.
- Power cable size, device capacity, and system impedance
(If local regulations do not specify the minimum power cable size or device capacity, follow the values in the table below.)

| | | Minimum size [mm ² (AWG)] | | | Earth leakage breaker | Local switch (A) | | Overcurrent breaker (NFB) (A) | Maximum allowable system impedance |
|---|--------------|--------------------------------------|-----------------------------------|------------|------------------------------|------------------|------|-------------------------------|------------------------------------|
| | | Power cable | Power cable after branching point | Earth wire | | Capacity | Fuse | | |
| Outdoor unit | (E)P200 | 4.0 (12) | — | 4.0 (12) | 30 A 100 mA 0.1 sec. or less | 25 | 25 | 30 | *3 |
| | (E)P250 | 4.0 (12) | — | 4.0 (12) | 30 A 100 mA 0.1 sec. or less | 32 | 32 | 30 | *3 |
| | (E)P300 | 4.0 (12) | — | 4.0 (12) | 30 A 100 mA 0.1 sec. or less | 32 | 32 | 30 | *3 |
| | (E)P350 | 6.0 (10) | — | 6.0 (10) | 40 A 100 mA 0.1 sec. or less | 40 | 40 | 40 | 0.27 Ω |
| | (E)P400 | 10.0 (8) | — | 10.0 (8) | 60 A 100 mA 0.1 sec. or less | 63 | 63 | 60 | 0.22 Ω |
| | (E)P450 | 10.0 (8) | — | 10.0 (8) | 60 A 100 mA 0.1 sec. or less | 63 | 63 | 60 | 0.19 Ω |
| | (E)P500 | 10.0 (8) | — | 10.0 (8) | 60 A 100 mA 0.1 sec. or less | 63 | 63 | 60 | 0.16 Ω |
| Total operating current of the indoor units | F0 ≤ 16 A *1 | 1.5 (16) | 1.5 (16) | 1.5 (16) | 20 A current sensitivity *2 | 16 | 16 | 20 | (IEC 61000-3-3) |
| | F0 ≤ 25 A *1 | 2.5 (14) | 2.5 (14) | 2.5 (14) | 30 A current sensitivity *2 | 25 | 25 | 30 | (IEC 61000-3-3) |
| | F0 ≤ 32 A *1 | 4.0 (12) | 4.0 (12) | 4.0 (12) | 40 A current sensitivity *2 | 32 | 32 | 40 | (IEC 61000-3-3) |

*1 Use the larger value of F1 or F2 as the value of F0.

F1 = Total of each indoor unit's maximum current × 1.2

F2 = {V1 × (Quantity of Type 1)/C} + {V1 × (Quantity of Type 2)/C} + {V1 × (Quantity of Type 3)/C} + {V1 × (Quantity of Type 4)/C}

*2 Current sensitivity is calculated using the following formula.

G1 = (V2 × Quantity of Type 1) + (V2 × Quantity of Type 2) + (V2 × Quantity of Type 3) + (V2 × Quantity of Type 4) + (V3 × Power cable length (km))

*3 Meets technical requirements of IEC 61000-3-3.

| Indoor unit | | V1 | V2 |
|-------------|--|------|-----|
| Type 1 | PLFY-VBM, PMFY-VBM, PEFY-VMS, PCFY-VKM, PKFY-VHM, PKFY-VKM, PFFY-VKM, PFFY-VLRMM | 18.6 | 2.4 |
| Type 2 | PEFY-VMA | 38 | 1.6 |
| Type 3 | PEFY-VMHS | 13.8 | 4.8 |
| Type 4 | Indoor unit other than the above | 0 | 0 |

"C" is multiples of the tripping current at 0.01 s.

Obtain the value of "C" from the tripping characteristic of the breaker that is used on site.

<Example of "F2" calculation>

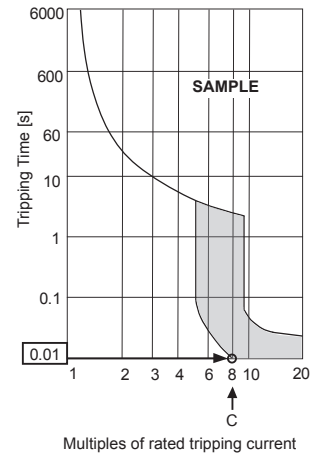
Conditions: PEFY-VMS × 4 units, PEFY-VMA × 1 unit, "C" = 8 (See the sample chart.)

$$F2 = 18.6 \times 4/8 + 38 \times 1/8$$

$$= 14.05$$

→ Use a 16 A type breaker. (Tripping current = 8 × 16 A at 0.01 s)

Sample chart



| Power cable size [mm ² (AWG)] | V3 |
|--|----|
| 1.5 (16) | 48 |
| 2.5 (14) | 56 |
| 4.0 (12) | 66 |

| G1 | Current sensitivity |
|----------------|------------------------|
| 30 mA or less | 30 mA 0.1 sec or less |
| 100 mA or less | 100 mA 0.1 sec or less |

- The wire size is the minimum value for metal conduit wiring. If the voltage drops, use a wire that is one size thicker in diameter. Make sure the power-supply voltage does not drop more than 10%. Make sure that the voltage imbalance between the phases is 2% or less.
- Power supply cords of parts of appliances for outdoor use shall not be lighter than polychloroprene sheathed flexible cord (design 60245 IEC57). For example, use wiring such as YZW.
- This unit is intended for the connection to a power supply system with a maximum permissible system impedance shown in the above table at the interface point (power service box) of the user's supply.
- The user must ensure that this unit is connected only to a power supply system which fulfils the requirement above.
If necessary, the user can ask the public power supply company for the system impedance at the interface point.
- This unit complies with IEC 61000-3-12 provided that the short-circuit power S_{sc} is greater than or equal to S_{sc}^{*1} at the interface point between the user's supply and the public system. It is the responsibility of the installer or user of the equipment to ensure, by consultation with the distribution network operator if necessary, that the equipment is connected only to a supply with a short-circuit power S_{sc} greater than or equal to S_{sc}^{*1} .

*1 S_{sc}

| Model | S_{sc} (MVA) |
|-------|----------------|
| P200 | 1.25 |
| P250 | 1.38 |
| P300 | 1.76 |
| P350 | 2.05 |
| P400 | 2.48 |
| P450 | 2.88 |
| P500 | 3.39 |

| Model | S_{sc} (MVA) |
|-------|----------------|
| EP200 | 1.25 |
| EP250 | 1.27 |
| EP300 | 1.58 |
| EP350 | 1.87 |
| EP400 | 2.19 |
| EP450 | 2.62 |
| EP500 | 3.17 |

10-3. Control cable specifications

- Transmission cable

| | |
|---------|---|
| Type | 2-core shielded cable CVVS, CPEVS, or MVVS |
| Size | 1.25 mm ² (AWG 16), or ø1.2 mm or above |
| Length | Max. 200 m (656 ft) |
| Remarks | The maximum allowable length of transmission cables via outdoor units (both centralized control transmission cables and indoor-outdoor transmission cables) is 500 m (1640 ft)*1. The maximum allowable length of transmission cables from the power supply unit to each outdoor unit or to the system controller is 200 m (656 ft). |

* Do not use a single multiple-core cable to connect indoor units that belong to different refrigerant systems. The use of a multiple-core cable may result in signal transmission errors and malfunctions.

* Ensure shield continuity when extending the transmission cable.

*1 When extending the length of the transmission cables to 1000 m (3280 ft), consult your dealer.

- Remote controller cable

| | ME remote controller cable | MA remote controller cable |
|--------|---|----------------------------|
| Type | 2-core sheathed cable (unshielded) CVV | |
| Size | 0.3–1.25 mm ² (AWG 22–16) (0.75–1.25 mm ² (AWG 18–16) if a simple remote controller is connected) | |
| Length | Max. 10 m (32 ft) * If the length exceeds 10 m (32 ft), use a 1.25 mm ² (AWG 16) shielded cable. | Max. 200 m (656 ft) |

10-4. System configuration

- Unit code and the maximum number of connectable units

| Unit type | | Code | Number of connectable units |
|---------------------------|-----------|----------|-----------------------------|
| Outdoor unit | Main unit | OC | – |
| | Sub unit | OS1, OS2 | – |
| Indoor unit | | IC | 1 to 26 units per OC |
| Remote controller | | RC | 0 to 2 units per group |
| Transmission booster unit | | RP | 0 to 1 unit per OC |

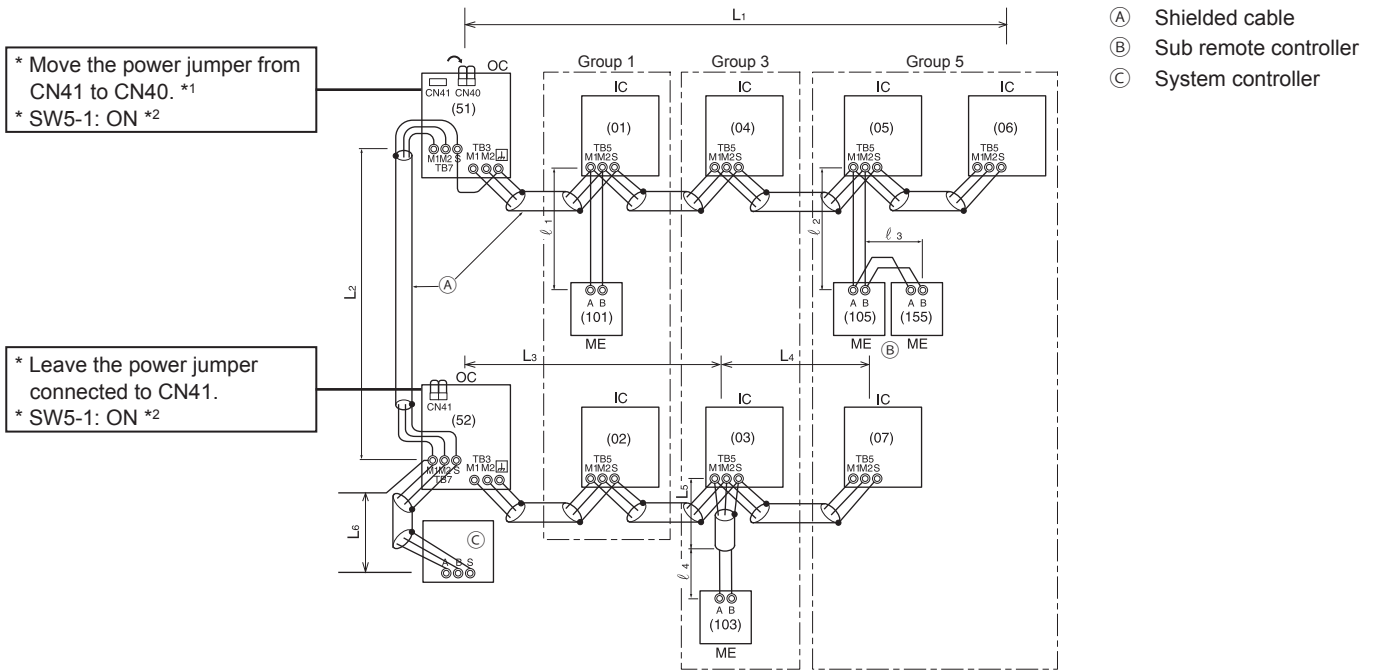
* A transmission booster may be required depending on the number of connected indoor units.

* The outdoor units in the same refrigerant circuit are automatically designated as OC, OS1, and OS2. The outdoor units are designated as OC, OS1, and OS2 in the order of capacity from large to small (if two or more units have the same capacity, in the order of address from small to large).

• System configuration example

* The numbers in the parentheses in the figures below indicate address numbers.

(1) When ME remote controllers are connected



*1 When a power supply unit is not connected to the centralized control transmission cable, move the power jumper from CN41 to CN40 on only one of the outdoor units.

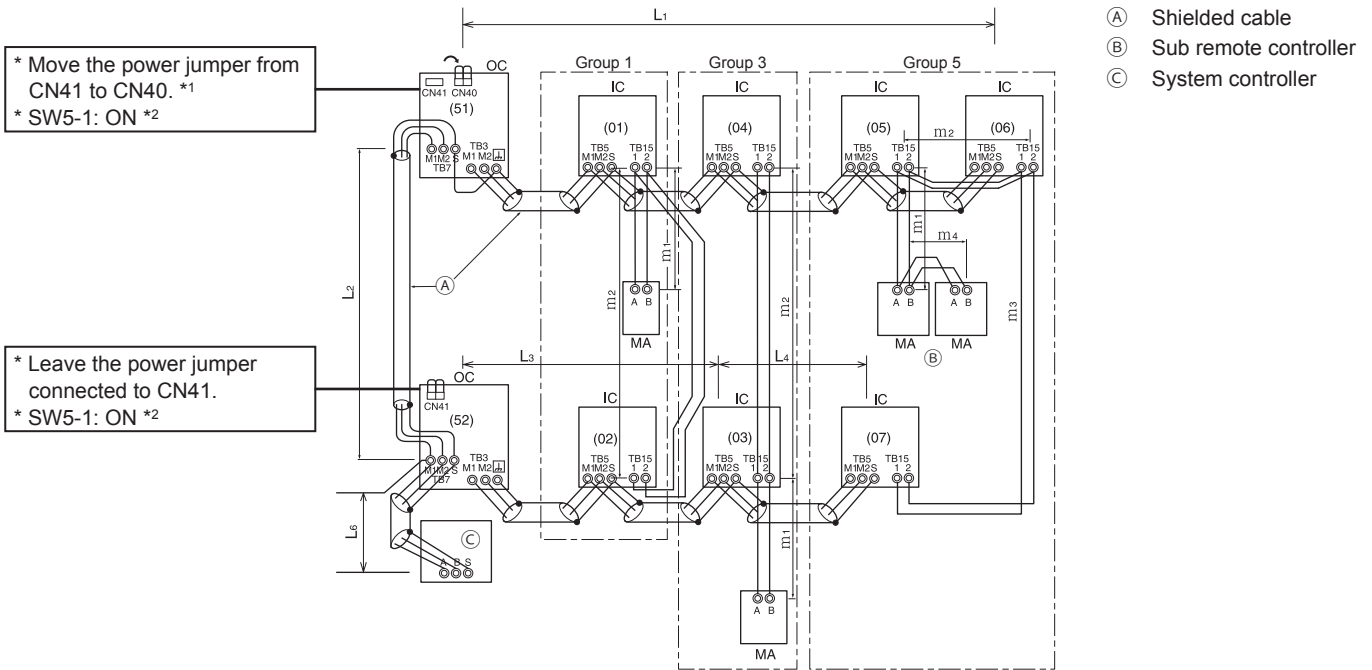
*2 If a system controller is used, set SW5-1 on ALL of the outdoor units to ON.

Maximum allowable length of control cables

| | |
|---------------------------------------|--|
| Transmission cables via outdoor units | $L_1 + L_2 + L_3 + L_4$, $L_1 + L_2 + L_3 + L_5$, $L_1 + L_2 + L_6 \leq 500$ m (1640 ft) ³ |
| Transmission cables | L_1 , $L_3 + L_4$, $L_3 + L_5$, L_6 , $L_2 + L_6 \leq 200$ m (656 ft) |
| Remote controller cables | l_1 , l_2 , l_3 , $l_4 \leq 10$ m (32 ft) * If the length exceeds 10 m (32 ft), the length that exceeds 10 m (32 ft) needs to be included in the maximum allowable length of transmission cables above. |

*3 When extending the length of the transmission cables to 1000 m (3280 ft), consult your dealer.

(2) When MA remote controllers are connected



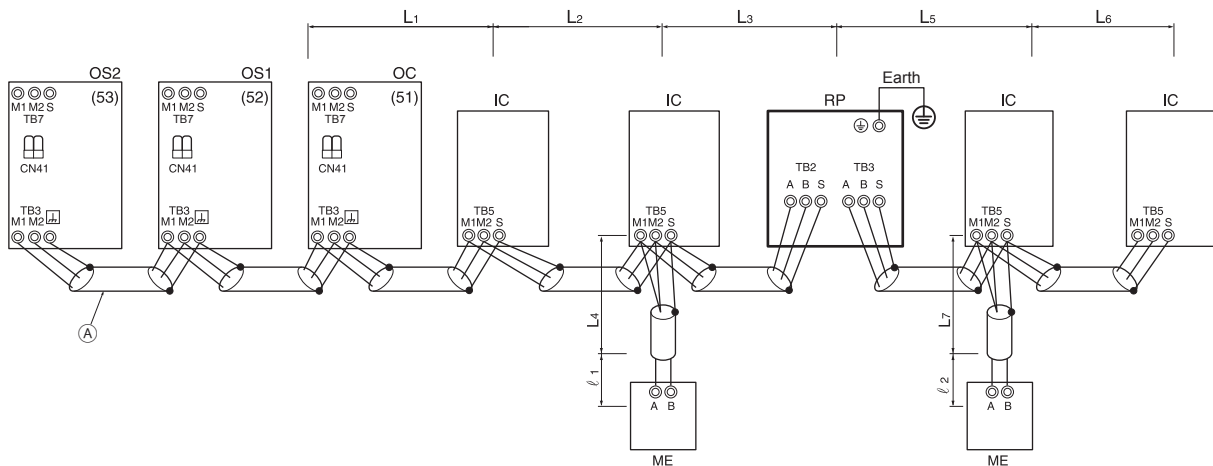
- *1 When a power supply unit is not connected to the centralized control transmission cable, move the power jumper from CN41 to CN40 on only one of the outdoor units.
- *2 If a system controller is used, set SW5-1 on ALL of the outdoor units to ON.
- *3 When a PAR-31MAA is connected to a group, no other MA remote controllers can be connected to the same group.

Maximum allowable length of control cables

| | |
|---------------------------------------|---|
| Transmission cables via outdoor units | $L_1 + L_2 + L_3 + L_4$, $L_1 + L_2 + L_6 \leq 500$ m (1640 ft) ⁴ |
| Transmission cables | L_1 , $L_3 + L_4$, L_6 , $L_2 + L_6 \leq 200$ m (656 ft) |
| Remote controller cables | $m_1 + m_2$, $m_1 + m_2 + m_3 + m_4 \leq 200$ m (656 ft) |

*4 When extending the length of the transmission cables to 1000 m (3280 ft), consult your dealer.

(3) When a transmission booster unit is connected



- (A) Shielded cable

- *1 Daisy-chain terminals (TB3) on outdoor units together in the same refrigerant system.
- *2 Leave the power jumper connected to CN41.

Maximum allowable length of control cables

| | |
|--------------------------|--|
| Transmission cables | $L_1 + L_2 + L_3 + L_5 + L_6$, $L_1 + L_2 + L_3 + L_5 + L_7$, $L_1 + L_2 + L_4$, $L_6 + L_5 + L_3 + L_4$, $L_4 + L_3 + L_5 + L_7 \leq 200$ m (656 ft) |
| Remote controller cables | l_1 , $l_2 \leq 10$ m (32 ft) * If the length exceeds 10 m (32 ft), the length that exceeds 10 m (32 ft) needs to be included in the maximum allowable length of transmission cables above. |

10-5. Wiring connections in the control box

! WARNING

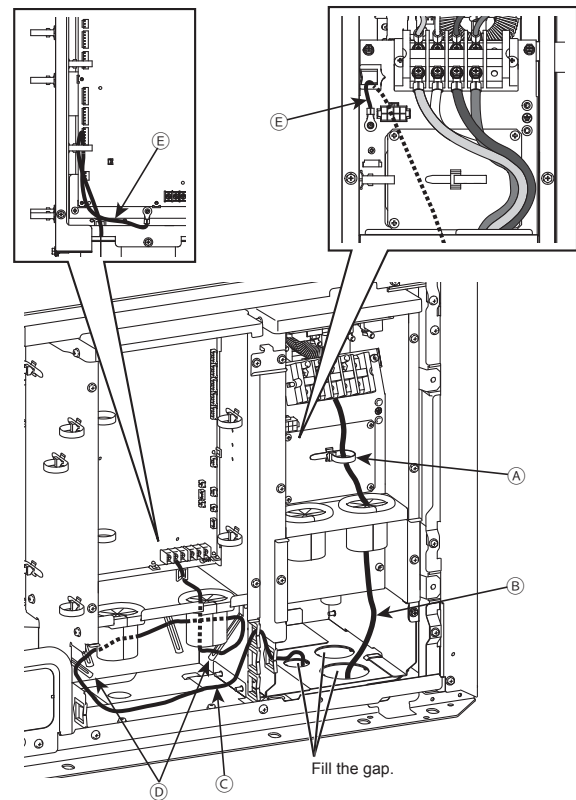
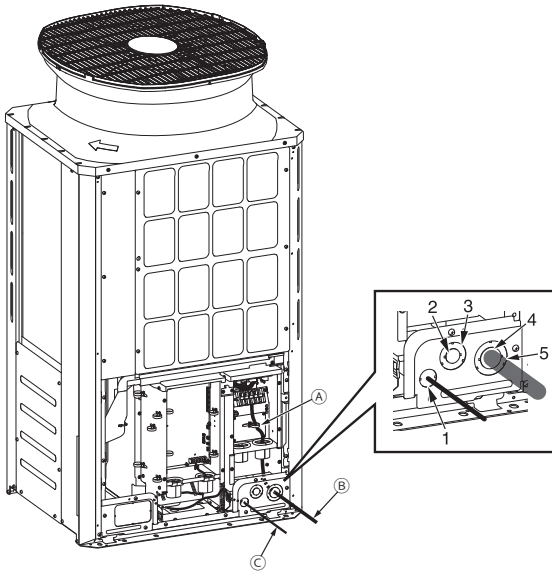
Connections must be made securely and without tension on the terminals.

- Improperly connected cables may break, overheat, or cause smoke or fire.

10-5-1. Threading power cable through the knockout hole

- Open the front panel when performing wiring work.
- Punch out the knockout holes at the bottom of the front panel or base with a hammer. Use the appropriate knockout hole according to the size of the power cable, referring to the table below.

- (1) When routing the wiring through the front of the unit (2) When routing the wiring through the bottom of the unit



| Power cable size (mm ²) | Knockout hole to be used |
|-------------------------------------|--------------------------|
| 2, 3.5, 5.5 | Knockout hole 2 |
| 8, 14 | Knockout hole 4 |
| 21, 26, 33 | Knockout hole 3 |
| 84, 67, 53 | Knockout hole 5 |

- (A) Cable strap
- (B) Power cable
- (C) Transmission cable
The length of the section after the cable access hole must be at least 1100 mm (43 in).
- (D) Clamp
- (E) Ground wire that connects Main Box and Inverter Box

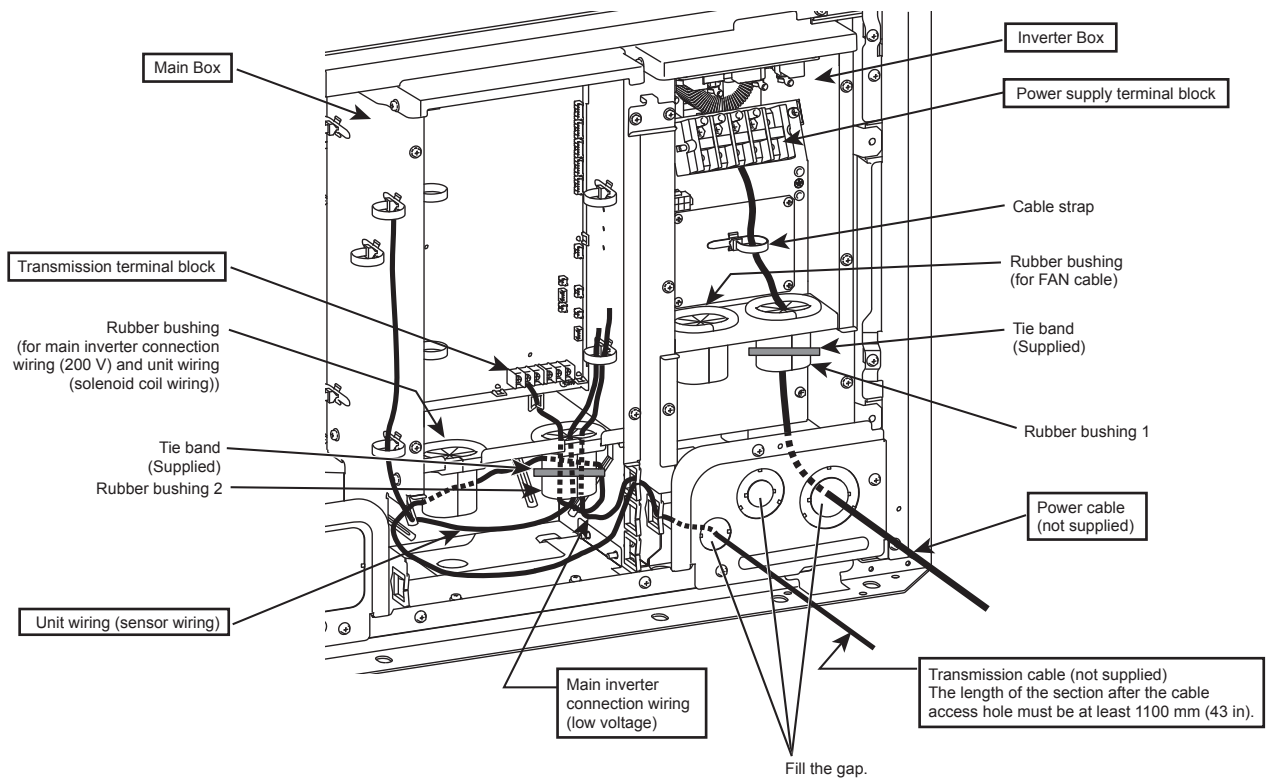
<Notice>

- Do not remove the ground wire that connects Main Box and Inverter Box.
- Install the transmission cable as shown in the figure above so that the cable is long enough for the Main Box to be moved for servicing.
- If there are any gaps around the power cable and transmission cable, please be sure to fill these in with a suitable material to prevent snow from entering, which may cause damage to the electrical parts, and to protect your hands from direct contact with cables.
- When putting the power cable through the knockout hole without using a conduit tube, deburr the hole and protect the power cable with protective tape.
- Use a conduit tube to narrow down the opening if there is a possibility of small animals entering the unit.
- When taking the conduit tube out from the bottom part of the unit, caulk around the tube opening to prevent water infiltration.

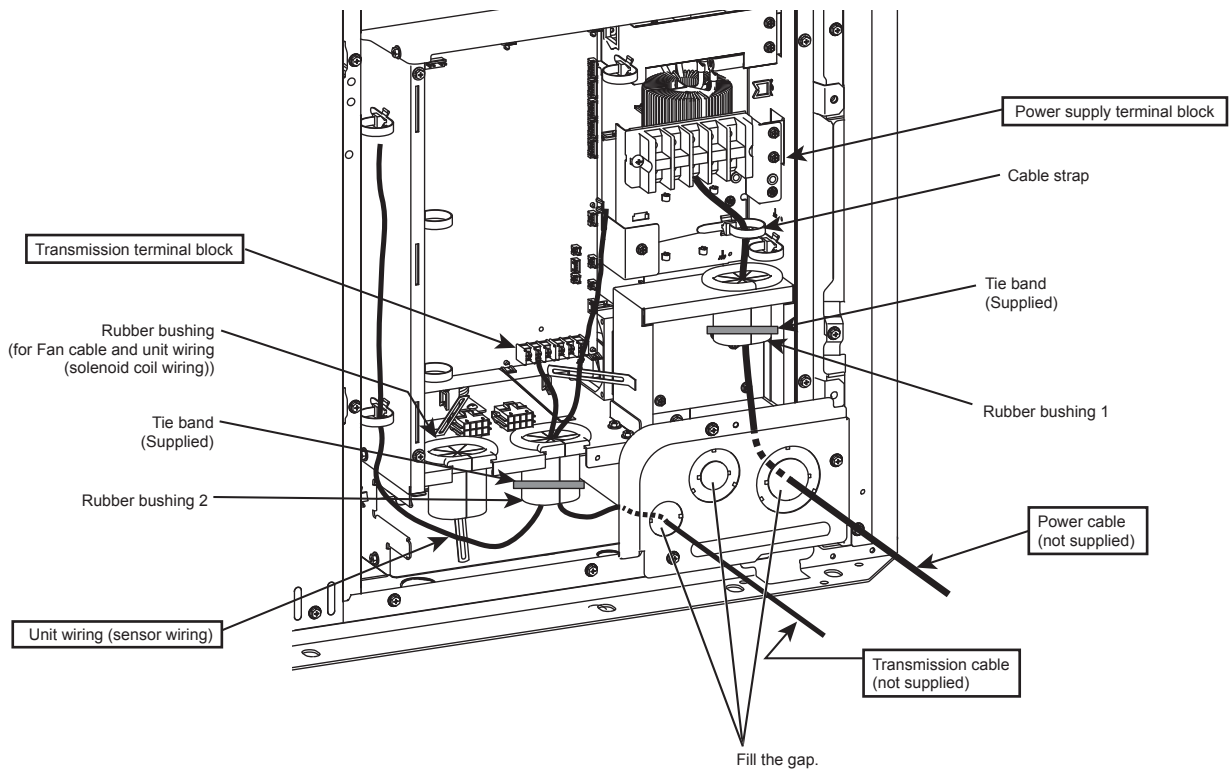
10-5-2. Fixing the cables in place

Route the cables as shown in the figures below.

- (E)P200 to 300



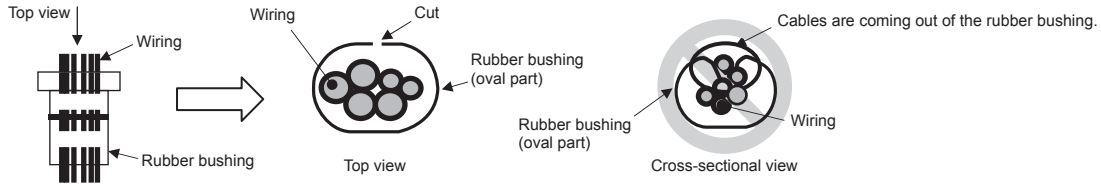
- (E)P350 to 500



Take the procedure below.

- ① Thread the power cable through the rubber bushing 1. (See *1 and *2 below.)
- ② Thread the unit wiring (sensor wiring) and the transmission cable through the rubber bushing 2. (See *1 and *2 below.)
- ③ Hold the power cable and the transmission cable in place respectively with the cable straps.
- ④ Secure each rubber bushing with the supplied tie band. (See *3 below.)

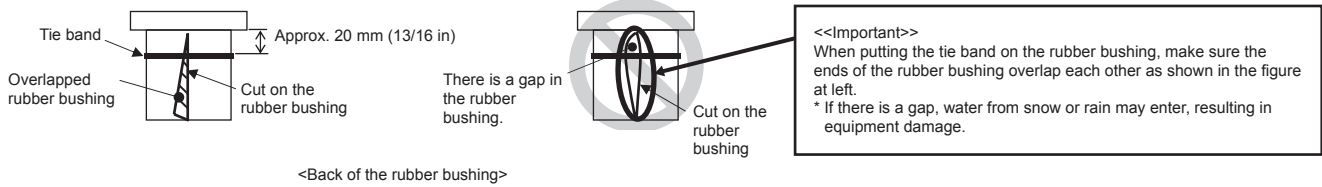
*1 Make sure the cables are not coming out of the rubber bushing cut.



*2 When threading the wiring through the rubber bushing, make sure the rubber bushing will not come off the sheet metal on the control box.



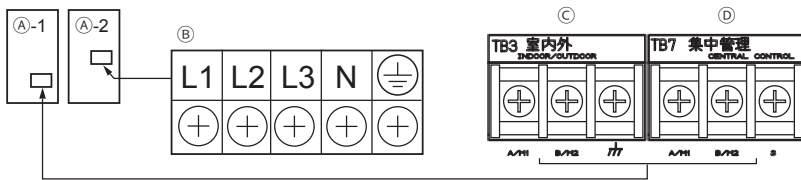
*3 When tying the supplied tie band around the rubber bushing, make sure to leave no gap between the ends.



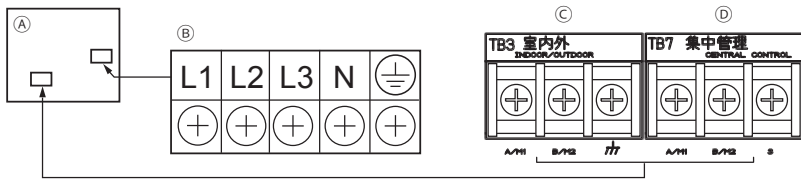
<Back of the rubber bushing>

10-5-3. Connecting the cables

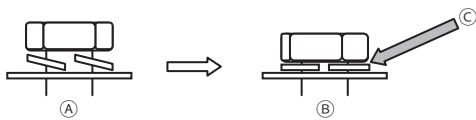
PUHY-(E)P200 to 300YNW-A



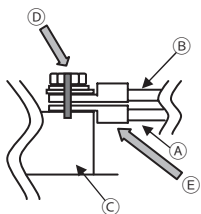
PUHY-(E)P350 to 500YNW-A



- (A) Control box
- (B) Power supply terminal block (TB1)
- (C) Terminal block for indoor-outdoor transmission cable (TB3)
- (D) Terminal block for centralized control transmission cable (TB7)



- (A) Terminal block with loose screws
- (B) Properly installed terminal block
- (C) Spring washers must be parallel to the terminal block.



- (A) Power cables, transmission cables
- (B) Daisy-chain (transmission cables only)
- (C) Terminal blocks (TB1, TB3, TB7)
- (D) Make an alignment mark.
- (E) Install the ring terminals back to back.

<Notice>

- Connect the cables respectively to the power supply terminal block and the transmission terminal block. Erroneous connection does not allow the system to operate.
- Never connect the power cable to the transmission terminal block. If connected, electrical parts will be damaged.
- Transmission cables should be (5 cm (2 in) or more) apart from the power cable so that it is not influenced by electric noise from the power cable. (Do not put the transmission cables and the power cable in the same conduit.)
- Follow the tightening torque for each screw type as shown below. Be careful not to use excessive torque as this could damage the screw.
Terminal block (TB1 (M6 screw)): 2.5–2.9 [N·m]
Terminal block (TB3, TB7 (M3.5 screw)): 0.82–1.0 [N·m]
- When tightening the screws, do not push the driver strongly to avoid damaging the screw.
- Make an alignment mark with a permanent marker across the screw head, washer, and terminal after tightening the screws.

Take the procedure below to connect the cables.

- ① Connect the indoor-outdoor transmission cable to TB3.
If multiple outdoor units are connected to the same refrigerant system, daisy-chain TB3 (M1, M2, earth) on the outdoor units. The indoor-outdoor transmission cable to the indoor unit should be connected to TB3 (M1, M2, earth) of only one of the outdoor units. Connect the shield to the earth terminal.
- ② Connect the centralized control transmission cables (between the centralized control system and the outdoor units of different refrigerant systems) to TB7.
If multiple outdoor units are connected to the same refrigerant system, daisy-chain TB7 (M1, M2, S) on all outdoor units.*1 Connect the shield to the S terminal.
*1 If TB7 on the outdoor units in the same refrigerant system are not daisy-chained, connect the centralized control transmission cable to TB7 on the OC. If the OC is out of order, or if centralized control is being conducted during a power supply shut-off, daisy-chain TB7 on the OC, OS1 and OS2. (In the case that the outdoor unit whose power jumper CN41 on the control board has been replaced with CN40 is out of order or the power is shut-off, centralized control will not be conducted even when TB7 is daisy-chained.)
- ③ When a power supply unit is not connected to the centralized control transmission cable, move the power jumper from CN41 to CN40 on the control board (main board) on only one of the outdoor units.

- ④ On the outdoor unit whose power jumper was moved from CN41 to CN40, short circuit the S terminal and the earth terminal.
- ⑤ Connect terminals M1 and M2 of the transmission terminal block on the indoor unit that has the lowest address in the group to the terminal block on the remote controller.
- ⑥ When a system controller is connected, set SW5-1 on all outdoor units to ON.
- ⑦ Fix the cables securely in place with the cable strap below the terminal block.

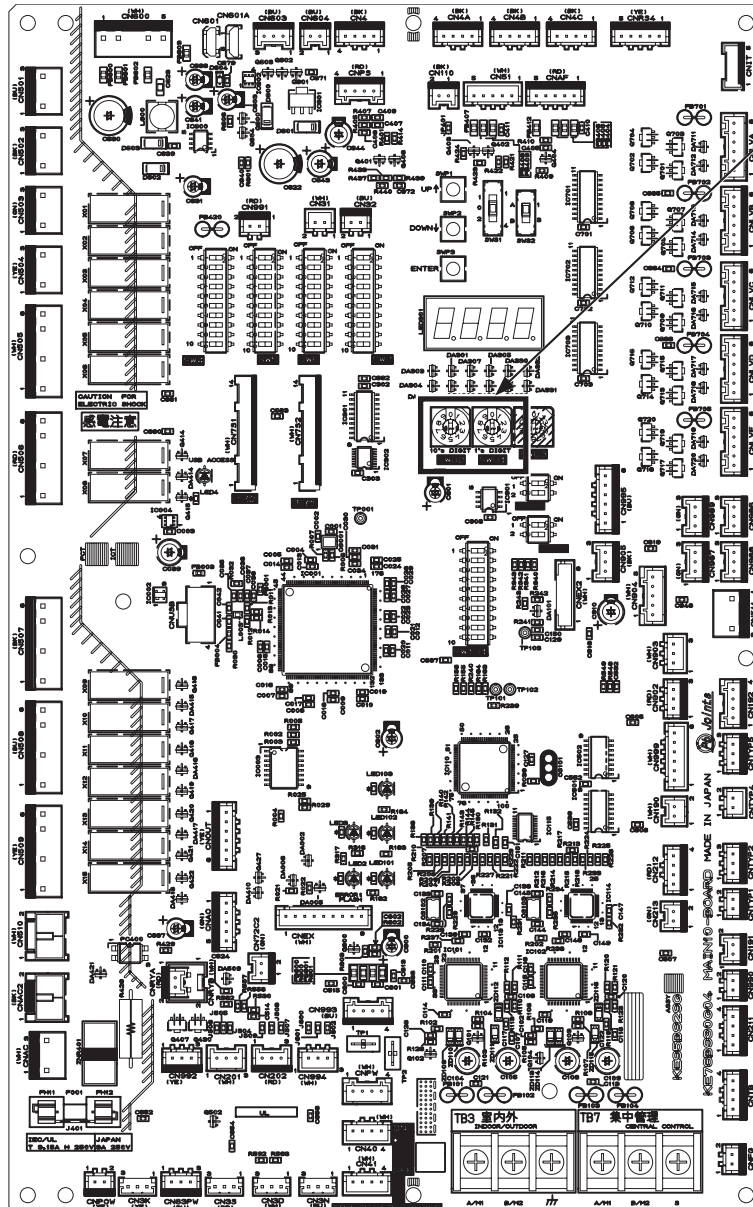
10-6. Address setting

- Set the address setting switch as follows.

| | | Address setting method | Address |
|-----------------------------|------|--|------------|
| Indoor unit (Main, Sub) | | Assign the lowest address to the main indoor unit in the group, and assign sequential addresses to the rest of the indoor units in the same group. | 01 to 50 |
| Outdoor unit (OC, OS1, OS2) | | Assign sequential addresses to the outdoor units in the same refrigerant system. * To set the address to 100, the address setting switch must be set to 50. | 51 to 100 |
| ME remote controller | Main | Assign an address that equals the address of the main indoor unit in the group plus 100. | 101 to 150 |
| | Sub | Assign an address that equals the address of the main indoor unit in the group plus 150. | 151 to 200 |
| MA remote controller | | Address setting is not required. (The Main/Sub setting is required.) | — |

* The outdoor units in the same refrigerant circuit are automatically designated as OC, OS1, and OS2. The outdoor units are designated as OC, OS1, and OS2 in the order of capacity from large to small (if two or more units have the same capacity, in the order of address from small to large).

* Make indoor unit group settings from remote controllers after turning on the power to all units.



Address setting switch (Outdoor units)

11. Test run

11-1. Before a test run

CAUTION

After the wiring work has been completed, measure the insulation resistance, and make sure that it reads at least 1 MΩ.

- Failure to do so may result in electric leakage, malfunction, or fire.

Turn on the power at least 12 hours before starting operation. Keep the power turned on throughout the operating season.

- Insufficient energizing will result in malfunction.

- Before performing a test run, turn off the power to the outdoor unit, and disconnect the power cable from the power supply terminal block to measure the insulation resistance.
- Measure the insulation resistance between the power supply terminal block and the earth with a 500 V ohmmeter, and make sure it is at least 1 MΩ.
- If the insulation resistance is 1 MΩ or above, connect the power cable to the power supply terminal, and turn on the power at least 12 hours before starting operation. If the insulation resistance is below 1 MΩ, do not operate the unit, and check the compressor for a earth fault.
- While the unit is turned on, the compressor will remain energized even when it is stopped.
- The insulation resistance between the power supply terminal block and the earth may drop to near 1 MΩ immediately after installation or when the main power to the unit has been turned off for a long time because of the stagnation of refrigerant in the compressor.
- By turning on the main power and energizing the unit for 12 hours or longer, the refrigerant in the compressor will evaporate and the insulation resistance will rise.
- Do not apply an ohmmeter voltage to the terminal block for transmission cables. Doing so will damage the control board.
- Do not measure the insulation resistance of the transmission terminal block of the unit remote controller.
- Check for refrigerant leakage and for loose power cables and transmission cables.
- Check that the liquid and gas side service valves are fully open. Tighten the valve caps.
- Check the phase order of the power supply and the interphase voltage. If the voltage is out of the ±10% range, or if the voltage imbalance is more than 2%, discuss the countermeasure with the customer.
- When a transmission booster unit is connected, turn on the transmission booster unit before turning on the outdoor unit. If the outdoor unit is turned on first, the refrigerant circuit connection information will not be properly verified. If the outdoor unit is turned on first, turn on the transmission booster unit and then power reset the outdoor unit.
- When a power supply unit is connected to the centralized control transmission cable, or when power is supplied from a system controller with a power-supply function, perform a test run with the power supply unit being energized. Leave the power jumper connected to CN41.
- When power is turned on or after power recovery, performance may degrade for approximately 30 minutes.

11-2. Function setting

Make function settings by setting the dipswitches SW4, SW6, and SWP3 on the main board.

Write down the switch settings on the electrical wiring diagram label on the control box front panel for future reference when the control box needs to be replaced.

- Take the following steps to make snow sensor settings. (Snow sensor control will not function when the outdoor temperature sensor (TH7) reading is 6°C (43°F) or above.)
 - ① Set the 10th bit of SW6 to ON.
 - ② Set SW4 as shown in the table below to select the setting item No.933 or 934. (The setting item No. will be displayed on LED1.)
 - ③ Press SWP3 for two seconds or longer to change the settings. (The settings can be checked on LED3.)

| | Setting item No. | SW4 0: OFF, 1: ON *1 | | | | | | | | | | Setting (LED3 display) *2 | |
|---------------------|------------------|----------------------|---|---|---|---|---|---|---|---|----|---------------------------|----------------------------|
| | | 1 | 2 | 3 | 4 | 5 | 6 | 7 | 8 | 9 | 10 | Unlit | Lit |
| Snow sensor setting | 933 | 1 | 0 | 1 | 0 | 0 | 1 | 0 | 1 | 1 | 1 | No. 934 ineffective | No. 934 effective |
| | 934 | 0 | 1 | 1 | 0 | 0 | 1 | 0 | 1 | 1 | 1 | Continuous fan operation | Intermittent fan operation |

*1 Make the SW4 setting after the unit is energized.

*2 This will blink while the system is starting up.

- Make various function settings by setting SW5 and SW6, referring to the table below.

| | Setting content | Setting | | Switch setting timing |
|-------|------------------------------------|--|---|------------------------|
| | | OFF | ON | |
| SW5-1 | Centralized control switch | Without connection to the centralized controller | With connection to the centralized controller | Before being energized |
| SW5-2 | Deletion of connection information | Normal control | Deletion | Before being energized |
| SW5-3 | — | Preset before shipment | | — |
| SW5-4 | — | | | — |
| SW5-5 | — | | | — |
| SW5-6 | — | | | — |
| SW5-7 | — | | | — |
| SW5-8 | — | | | — |

| | Setting content | Setting | | Switch setting timing |
|--------|--|----------------------|--------------------|--------------------------------|
| | | OFF | ON | |
| SW6-1 | — | — | — | — |
| SW6-2 | — | — | — | — |
| SW6-3 | — | — | — | — |
| SW6-4 | High static pressure setting | Refer to *1. | Refer to *1. | Before being energized |
| SW6-5 | | | | |
| SW6-6 | — | — | — | — |
| SW6-7 | Low-noise mode selection | Performance priority | Low-noise priority | Any time after being energized |
| SW6-8 | Selection of Low-noise or Demand | Low-noise (Night) | Demand | Before being energized |
| SW6-9 | Selection of Diagnostic display or Function detail setting | Refer to *2. | Refer to *2. | Any time after being energized |
| SW6-10 | | | | |

* Do not change the factory settings of SW5-3 through SW5-8.

* Unless otherwise specified, leave the switch to OFF where indicated by "—," which may be set to OFF for a reason.

*1

| | SW6-5: ON | SW6-5: OFF |
|------------|-----------|------------|
| SW6-4: ON | 80 Pa | 60 Pa |
| SW6-4: OFF | 30 Pa | 0 Pa |

*2

| | SW6-10: ON | SW6-10: OFF |
|------------|--------------------------------|-----------------------------|
| SW6-9: ON | LED (round type) No. 0 to 1023 | LED (7seg) No. 1024 to 2047 |
| SW6-9: OFF | Function setting No. 0 to 1023 | LED (7seg) No. 0 to 1023 |

11-3. Operation characteristics in relation to the refrigerant charge

It is important to have a clear understanding of the characteristics of refrigerant and the operation characteristics of air conditioners before attempting to adjust the refrigerant charge in a given system.

- During cooling operation, the amount of refrigerant in the accumulator is the smallest when all indoor units are in operation.
- During heating operation, the amount of refrigerant in the accumulator is the largest when all indoor units are in operation.
- Refrigerant undercharge creates a tendency for the discharge temperature to rise.
- Changing the amount of refrigerant in the system while there is refrigerant in the accumulator has little effect on the discharge temperature.
- The higher the high pressure level, the more likely it is for the discharge temperature to rise.
- The lower the low pressure level, the more likely it is for the discharge temperature to rise.
- When the amount of refrigerant in the system is adequate, the compressor shell temperature is 10 to 60°C (50 to 140°F) higher than the low-pressure saturation temperature. If the temperature difference between the compressor shell temperature and low-pressure saturation temperature is 5°C (41°F) or less, refrigerant overcharge is suspected.

11-4. Operation check

The following symptoms are normal and do not indicate a problem.

| Events | Display on remote controller | Cause |
|---|-------------------------------|--|
| A specific indoor unit is not performing the cooling or heating operation. | "Cool" or "Heat" blinks. | Other indoor units in the same refrigerant system are already operated in a different mode. |
| The auto vane automatically switches air flow direction. | Normal display | The auto vane may switch over to horizontal air flow operation from vertical air flow operation in cooling mode if the vertical air flow operation has been running for one hour. At defrost in heating mode or immediately after heating start-up/shutdown, the auto vane automatically switches to horizontal air flow for a short time. |
| The fan speed automatically changes during heating operation. | Normal display | The fan operates at Very Low speed when the thermostat is turned off, and automatically changes over to the preset speed according to the timer setting or refrigerant temperature when the thermostat is turned on. |
| The fan stops during heating operation. | "Defrost" | The fan remains stopped during the defrost cycle. |
| The fan keeps running after the unit has stopped. | No display | After the unit has stopped during heating operation, the fan operates for one minute to exhaust heat. |
| At the beginning of heating operation, the fan cannot be manually set. | "Stand By" | The fan operates at Very Low speed for five minutes after heating operation starts or until the refrigerant temperature reaches 35°C (95°F), then the fan operates at Low speed for two minutes, and finally the fan operates at the preset speed. |
| When the main power is turned on, the display as shown right appears on the remote controller for about five minutes. | "HO" or "PLEASE WAIT" blinks. | The system is starting up. Wait until "HO" or "PLEASE WAIT" stops blinking and goes off then try again. |
| The drain pump keeps running after the unit has stopped. | No display | The drain pump remains in operation for three minutes after the unit in cooling mode has stopped. The drain pump goes into operation when drain water is detected, even when the unit is stopped. |
| The indoor unit emits noise when switching from heating to cooling and vice versa. | Normal display | This is a normal sound of the refrigerant circuit operating properly. |
| Immediately after startup, the indoor unit emits the sound of refrigerant flowing. | Normal display | Unstable flow of the refrigerant produces a sound. This is temporary and does not imply a problem. |
| Warm air comes from an indoor unit that is not performing the heating operation. | Normal display | The LEV is slightly open for preventing any refrigerant, inside of the indoor unit that is not performing the heating operation, from being liquefied. This does not imply a problem. |
| Drain water comes out of the outdoor unit from the bottom part of the heat exchanger. | No display | This ensures proper drainage of drain water in case the drain water freezes and remains in the outdoor unit during the heating operation at low ambient temperature. |

12. Inspection and maintenance

WARNING

Only qualified personnel must relocate or repair the unit. Do not attempt to disassemble or alter the unit.

- Failure to do so will result in refrigerant leakage, water leakage, serious injury, electric shock, or fire.
- While the unit is turned on, the compressor will remain energized even when it is stopped. Before inspecting the inside of the control box, turn off the power, keep the unit off for at least 10 minutes, and confirm that the capacitor voltage at the connector (RYPN) has dropped to 20 VDC or less. (It takes about 10 minutes to discharge electricity after the power supply is turned off.)
- Control boxes house high-voltage and high-temperature electrical parts. They may still remain energized or hot after the power is turned off.
- Perform the service after disconnecting the connectors (RYFAN1 and RYFAN2).
(To plug or unplug connectors, check that the outdoor unit fan is not rotating and that the voltage is 20 VDC or below. The capacitor may collect a charge and cause an electric shock when the outdoor unit fan rotates in windy conditions. Refer to the wiring nameplate for details.)
Reconnect the connectors (RYFAN1 and RYFAN2) after servicing.
- Unit components may be damaged after long use of the unit, resulting in a performance drop or the unit becoming a safety hazard. To use the unit safely and maximize its life, it is recommended that a maintenance contract with a dealer or qualified personnel be signed. If the contract is signed, service technicians will periodically inspect the unit to identify any damage at an early stage, and take appropriate measures.
- When the outdoor unit is installed on the waterproof sheet, the sheet may become dirty due to the copper component seeped out from the unit. In this case, installing a drain pan for centralized drainage is recommended.

13. Rating plate information

(1) P models

| Model | P200YNW-A | P250YNW-A | P300YNW-A | P350YNW-A | P400YNW-A | P450YNW-A | P500YNW-A |
|-------------------------|----------------------------|-----------|-----------|-----------|-----------|-----------|-----------|
| Unit combination | – | – | – | – | – | – | – |
| Refrigerant (R410A) | 6.5 kg | 6.5 kg | 6.5 kg | 9.8 kg | 9.8 kg | 10.8 kg | 10.8 kg |
| Allowable pressure (Ps) | HP: 4.15 MPa, LP: 2.21 MPa | | | | | | |
| Net weight | 225 kg | 225 kg | 228 kg | 278 kg | 278 kg | 294 kg | 337 kg |

| Model | P400YSNW-A | | P450YSNW-A | | P500YSNW-A | | P550YSNW-A | |
|-------------------------|----------------------------|--------|------------|--------|------------|--------|------------|--------|
| Unit combination | P200 | P200 | P250 | P200 | P250 | P250 | P300 | P250 |
| Refrigerant (R410A) | 6.5 kg | 6.5 kg | 6.5 kg | 6.5 kg | 6.5 kg | 6.5 kg | 6.5 kg | 6.5 kg |
| Allowable pressure (Ps) | HP: 4.15 MPa, LP: 2.21 MPa | | | | | | | |
| Net weight | 225 kg | 225 kg | 225 kg | 225 kg | 225 kg | 225 kg | 228 kg | 225 kg |

| Model | P600YSNW-A | | P650YSNW-A | | P700YSNW-A | | P750YSNW-A | |
|-------------------------|----------------------------|--------|------------|--------|------------|--------|------------|--------|
| Unit combination | P300 | P300 | P400 | P250 | P350 | P350 | P400 | P350 |
| Refrigerant (R410A) | 6.5 kg | 6.5 kg | 9.8 kg | 6.5 kg | 9.8 kg | 9.8 kg | 9.8 kg | 9.8 kg |
| Allowable pressure (Ps) | HP: 4.15 MPa, LP: 2.21 MPa | | | | | | | |
| Net weight | 228 kg | 228 kg | 278 kg | 225 kg | 278 kg | 278 kg | 278 kg | 278 kg |

| Model | P800YSNW-A | | P850YSNW-A | | P900YSNW-A | |
|-------------------------|----------------------------|--------|------------|--------|------------|---------|
| Unit combination | P450 | P350 | P450 | P400 | P450 | P450 |
| Refrigerant (R410A) | 10.8 kg | 9.8 kg | 10.8 kg | 9.8 kg | 10.8 kg | 10.8 kg |
| Allowable pressure (Ps) | HP: 4.15 MPa, LP: 2.21 MPa | | | | | |
| Net weight | 294 kg | 278 kg | 294 kg | 278 kg | 294 kg | 294 kg |

| Model | P950YSNW-A | | | P1000YSNW-A | | |
|-------------------------|----------------------------|--------|--------|-------------|--------|--------|
| Unit combination | P450 | P250 | P250 | P400 | P350 | P250 |
| Refrigerant (R410A) | 10.8 kg | 6.5 kg | 6.5 kg | 9.8 kg | 9.8 kg | 6.5 kg |
| Allowable pressure (Ps) | HP: 4.15 MPa, LP: 2.21 MPa | | | | | |
| Net weight | 294 kg | 225 kg | 225 kg | 278 kg | 278 kg | 225 kg |

| Model | P1050YSNW-A | | | P1100YSNW-A | | |
|-------------------------|----------------------------|--------|--------|-------------|--------|--------|
| Unit combination | P400 | P400 | P250 | P400 | P350 | P350 |
| Refrigerant (R410A) | 9.8 kg | 9.8 kg | 6.5 kg | 9.8 kg | 9.8 kg | 9.8 kg |
| Allowable pressure (Ps) | HP: 4.15 MPa, LP: 2.21 MPa | | | | | |
| Net weight | 278 kg | 278 kg | 225 kg | 278 kg | 278 kg | 278 kg |

| Model | P1150YSNW-A | | | P1200YSNW-A | | |
|-------------------------|----------------------------|--------|--------|-------------|--------|--------|
| Unit combination | P400 | P400 | P350 | P400 | P400 | P400 |
| Refrigerant (R410A) | 9.8 kg | 9.8 kg | 9.8 kg | 9.8 kg | 9.8 kg | 9.8 kg |
| Allowable pressure (Ps) | HP: 4.15 MPa, LP: 2.21 MPa | | | | | |
| Net weight | 278 kg | 278 kg | 278 kg | 278 kg | 278 kg | 278 kg |

| Model | P1250YSNW-A | | | P1300YSNW-A | | |
|-------------------------|----------------------------|--------|--------|-------------|---------|--------|
| Unit combination | P450 | P400 | P400 | P450 | P450 | P400 |
| Refrigerant (R410A) | 10.8 kg | 9.8 kg | 9.8 kg | 10.8 kg | 10.8 kg | 9.8 kg |
| Allowable pressure (Ps) | HP: 4.15 MPa, LP: 2.21 MPa | | | | | |
| Net weight | 294 kg | 278 kg | 278 kg | 294 kg | 294 kg | 278 kg |

| Model | P1350YSNW-A | | |
|-------------------------|----------------------------|---------|---------|
| Unit combination | P450 | P450 | P450 |
| Refrigerant (R410A) | 10.8 kg | 10.8 kg | 10.8 kg |
| Allowable pressure (Ps) | HP: 4.15 MPa, LP: 2.21 MPa | | |
| Net weight | 294 kg | 294 kg | 294 kg |

(2) EP models

| | | | | | | | |
|-------------------------|----------------------------|------------|------------|------------|------------|------------|------------|
| Model | EP200YNW-A | EP250YNW-A | EP300YNW-A | EP350YNW-A | EP400YNW-A | EP450YNW-A | EP500YNW-A |
| Unit combination | – | – | – | – | – | – | – |
| Refrigerant (R410A) | 6.5 kg | 6.5 kg | 6.5 kg | 9.8 kg | 10.8 kg | 10.8 kg | 10.8 kg |
| Allowable pressure (Ps) | HP: 4.15 MPa, LP: 2.21 MPa | | | | | | |
| Net weight | 231 kg | 231 kg | 235 kg | 285 kg | 305 kg | 305 kg | 342 kg |

| | | | | | | | | |
|-------------------------|----------------------------|--------|-------------|--------|-------------|--------|-------------|--------|
| Model | EP400YSNW-A | | EP450YSNW-A | | EP500YSNW-A | | EP550YSNW-A | |
| Unit combination | EP200 | EP200 | EP250 | EP200 | EP250 | EP250 | EP300 | EP250 |
| Refrigerant (R410A) | 6.5 kg | 6.5 kg | 6.5 kg | 6.5 kg | 6.5 kg | 6.5 kg | 6.5 kg | 6.5 kg |
| Allowable pressure (Ps) | HP: 4.15 MPa, LP: 2.21 MPa | | | | | | | |
| Net weight | 231 kg | 231 kg | 231 kg | 231 kg | 231 kg | 231 kg | 235 kg | 231 kg |

| | | | | | | | | |
|-------------------------|----------------------------|--------|-------------|--------|-------------|--------|-------------|--------|
| Model | EP600YSNW-A | | EP650YSNW-A | | EP700YSNW-A | | EP750YSNW-A | |
| Unit combination | EP300 | EP300 | EP400 | EP250 | EP350 | EP350 | EP400 | EP350 |
| Refrigerant (R410A) | 6.5 kg | 6.5 kg | 10.8 kg | 6.5 kg | 9.8 kg | 9.8 kg | 10.8 kg | 9.8 kg |
| Allowable pressure (Ps) | HP: 4.15 MPa, LP: 2.21 MPa | | | | | | | |
| Net weight | 235 kg | 235 kg | 305 kg | 231 kg | 285 kg | 285 kg | 305 kg | 285 kg |

| | | | | | | |
|-------------------------|----------------------------|--------|-------------|---------|-------------|---------|
| Model | EP800YSNW-A | | EP850YSNW-A | | EP900YSNW-A | |
| Unit combination | EP450 | EP350 | EP450 | EP400 | EP450 | EP450 |
| Refrigerant (R410A) | 10.8 kg | 9.8 kg | 10.8 kg | 10.8 kg | 10.8 kg | 10.8 kg |
| Allowable pressure (Ps) | HP: 4.15 MPa, LP: 2.21 MPa | | | | | |
| Net weight | 305 kg | 285 kg | 305 kg | 305 kg | 305 kg | 305 kg |

| | | | | | | |
|-------------------------|----------------------------|--------|--------|--------------|--------|--------|
| Model | EP950YSNW-A | | | EP1000YSNW-A | | |
| Unit combination | EP450 | EP250 | EP250 | EP400 | EP350 | EP250 |
| Refrigerant (R410A) | 10.8 kg | 6.5 kg | 6.5 kg | 10.8 kg | 9.8 kg | 6.5 kg |
| Allowable pressure (Ps) | HP: 4.15 MPa, LP: 2.21 MPa | | | | | |
| Net weight | 305 kg | 231 kg | 231 kg | 305 kg | 285 kg | 231 kg |

| | | | | | | |
|-------------------------|----------------------------|---------|--------|--------------|--------|--------|
| Model | EP1050YSNW-A | | | EP1100YSNW-A | | |
| Unit combination | EP400 | EP400 | EP250 | EP400 | EP350 | EP350 |
| Refrigerant (R410A) | 10.8 kg | 10.8 kg | 6.5 kg | 10.8 kg | 9.8 kg | 9.8 kg |
| Allowable pressure (Ps) | HP: 4.15 MPa, LP: 2.21 MPa | | | | | |
| Net weight | 305 kg | 305 kg | 231 kg | 305 kg | 285 kg | 285 kg |

| | | | | | | |
|-------------------------|----------------------------|---------|--------|--------------|---------|---------|
| Model | EP1150YSNW-A | | | EP1200YSNW-A | | |
| Unit combination | EP400 | EP400 | EP350 | EP400 | EP400 | EP400 |
| Refrigerant (R410A) | 10.8 kg | 10.8 kg | 9.8 kg | 10.8 kg | 10.8 kg | 10.8 kg |
| Allowable pressure (Ps) | HP: 4.15 MPa, LP: 2.21 MPa | | | | | |
| Net weight | 305 kg | 305 kg | 285 kg | 305 kg | 305 kg | 305 kg |

| | | | | | | |
|-------------------------|----------------------------|---------|---------|--------------|---------|---------|
| Model | EP1250YSNW-A | | | EP1300YSNW-A | | |
| Unit combination | EP450 | EP400 | EP400 | EP450 | EP450 | EP400 |
| Refrigerant (R410A) | 10.8 kg | 10.8 kg | 10.8 kg | 10.8 kg | 10.8 kg | 10.8 kg |
| Allowable pressure (Ps) | HP: 4.15 MPa, LP: 2.21 MPa | | | | | |
| Net weight | 305 kg | 305 kg | 305 kg | 305 kg | 305 kg | 305 kg |

| | | | |
|-------------------------|----------------------------|---------|---------|
| Model | EP1350YSNW-A | | |
| Unit combination | EP450 | EP450 | EP450 |
| Refrigerant (R410A) | 10.8 kg | 10.8 kg | 10.8 kg |
| Allowable pressure (Ps) | HP: 4.15 MPa, LP: 2.21 MPa | | |
| Net weight | 305 kg | 305 kg | 305 kg |



AIR CONDITIONER OUTDOOR UNIT

MODEL

| | | |
|------------------------|--|------|
| REFRIGERANT | R410A | kg |
| ALLOWABLE PRESSURE(Ps) | HP 4.15MPa (41.5bar) LP 2.21MPa (22.1bar) | |
| WEIGHT | | kg |
| IP CODE | | IP24 |
| YEAR OF MANUFACTURE | | |

SERIAL No.

| OPERATION | COOLING | | | HEATING | | |
|----------------------------|---------|---------|-----|---------|--------|-----|
| RATED VOLTAGE 3N- V | 380 | 400 | 415 | 380 | 400 | 415 |
| FREQUENCY Hz | 50 / 60 | | | 50 / 60 | | |
| CAPACITY | kW | | | | | |
| | kcal/h | | | | | |
| | Btu/h | | | | | |
| RATED INPUT kW | | | | | | |
| RATED CURRENT A | | | | | | |
| MAX CURRENT A | | | | | | |
| RATED CONDITION DB / WB °C | INDOOR | 27 / 19 | | INDOOR | 20 / - | |
| | OUTDOOR | 35 / 24 | | OUTDOOR | 7 / 6 | |

Contains fluorinated greenhouse gases.



MANUFACTURER:
MITSUBISHI ELECTRIC
CONSUMER PRODUCTS (THAILAND) CO., LTD.
700/406 MOO 7, TAMBON DON HUA ROH,
AMPHUR MUANG, CHONBURI 20000, THAILAND
MADE IN THAILAND

Содержание

| | |
|--|-----------|
| 1. Меры предосторожности | 2 |
| 1-1. Общие предостережения | 2 |
| 1-2. Меры предосторожности при транспортировке блока | 4 |
| 1-3. Меры предосторожности при установке блока | 4 |
| 1-4. Меры предосторожности при прокладке трубопроводов | 5 |
| 1-5. Меры предосторожности при прокладке электропроводки | 5 |
| 1-6. Меры предосторожности при перемещении и ремонте блока | 6 |
| 1-7. Дополнительные меры предосторожности | 6 |
| 2. Информация об изделии | 10 |
| 3. Комбинация наружных блоков | 10 |
| 4. Технические характеристики | 12 |
| 5. Содержимое упаковки | 16 |
| 6. Транспортировка блока | 17 |
| 7. Положение монтажа | 18 |
| 7-1. Установка одного блока | 18 |
| 7-2. Установка нескольких блоков | 19 |
| 8. Установка основания | 21 |
| 9. Прокладка труб хладагента | 23 |
| 9-1. Ограничения | 23 |
| 9-2. Выбор трубы | 26 |
| 9-3. Выбор двойника-разветвителя | 27 |
| 9-4. Пример соединения труб | 27 |
| 9-5. Соединения труб и работа с клапанами | 32 |
| 9-6. Проверка герметичности | 36 |
| 9-7. Термоизоляция для труб | 37 |
| 9-8. Вакуумирование системы | 39 |
| 9-9. Дополнительная зарядка хладагентом | 40 |
| 10. Электромонтажные работы | 44 |
| 10-1. Перед электромонтажными работами | 44 |
| 10-2. Характеристики силовых кабелей и устройств | 44 |
| 10-3. Характеристики кабеля дистанционного управления | 48 |
| 10-4. Конфигурация системы | 48 |
| 10-5. Подключение проводов блока управления | 51 |
| 10-6. Назначения адреса | 56 |
| 11. Тестовый запуск | 57 |
| 11-1. Перед тестовым запуском | 57 |
| 11-2. Настройка функций | 58 |
| 11-3. Рабочие показания относительно заправки хладагента | 59 |
| 11-4. Проверка работоспособности | 59 |
| 12. Осмотр и техническое обслуживание | 60 |
| 13. Информация на паспортной табличке | 61 |

1. Меры предосторожности

- ▶ Прочтите и соблюдайте меры предосторожности, описанные ниже, а также инструкции, представленные на табличках и стикерах, установленных на блоке.
- ▶ Сохраните данное руководство для дальнейшего использования. Передайте данное руководство конечному пользователю.
- ▶ Все работы по прокладке труб хладагента, электропроводки, проверка герметичности и пайка должны выполняться квалифицированными специалистами.
- ▶ Неправильное использование оборудования может повлечь за собой получение серьезных травм.

| | |
|--|--|
|  ПРЕДОСТЕРЕЖЕНИЕ | : Указывает на опасную ситуацию, которая, если ее не избежать, может привести к смертельному исходу или получению серьезных травм. |
|  ВНИМАНИЕ | : Указывает на опасную ситуацию, которая, если ее не избежать, может привести к получению легких или средних травм. |
| ВНИМАНИЕ | : Обозначает ситуации, не угрожающие личной безопасности, влекущие за собой ущерб продукции или имуществу. |

1-1. Общие предостережения

ПРЕДОСТЕРЕЖЕНИЕ

Не используйте хладагент другого типа, кроме указанного в руководствах из комплекта поставки блока и на паспортной табличке.

- Это может повлечь за собой прорыв трубопроводов или блока либо стать причиной взрыва или возгорания в процессе эксплуатации, ремонта или утилизации блока.
- Также это может нарушать действующее законодательство.
- MITSUBISHI ELECTRIC CORPORATION не несет ответственности за неисправности или несчастные случаи, причиной которых стало использование хладагента неподходящего типа.

Не используйте данное устройство в не предназначенных для него средах.

- Использование устройства в местах высокой концентрации масла, пара, органических растворителей или коррозионных газов (такие как аммиака, сернистых соединений, кислот), а также в местах частого использования кислых/щелочных растворов или специальных химических спреев может значительно снизить производительность и подвергнуть коррозии внутренние детали оборудования, что может привести к поражению электрическим током, возникновению неисправностей, образованию дыма или возгоранию.

Запрещается изменять настройки защитных устройств и устройств безопасности.

- Работа устройства при отключенном оборудовании безопасности, таком как реле давления или тепловое реле, может привести к пробое изоляции, возгоранию или взрыву.
- Эксплуатация оборудования, настройки устройства безопасности которого изменены, может привести к пробое изоляции, возгоранию или взрыву.
- Использование компонентов, отличных от указанных компанией Mitsubishi Electric, может привести к возгоранию или взрыву.

Не изменяйте и не модифицируйте данное оборудование.

- Это может привести к утечке хладагента, воды, серьезным травмам, поражению электрическим током или возгоранию.

Не допускайте попадания влаги на электрические компоненты.

- Это может повлечь за собой утечку тока, поражение электрическим током, возникновение неисправностей или возгорание.

Не прикасайтесь к электрическим компонентам, выключателям или кнопкам мокрыми руками.

- Это может повлечь за собой поражение электрическим током, возникновение неисправностей или возгорание.

Не прикасайтесь к трубам хладагента и компонентам охлаждающей системы голыми руками во время работы и сразу после выключения прибора.

- Трубы хладагента могут быть очень горячими или холодными, что может привести к обмороживанию или ожогам.

Не касайтесь электрических компонентов голыми руками во время работы и сразу после выключения.

- Это может привести к ожогу.

Проветривайте помещение при помощи соответствующего оборудования.

- Утечка хладагента может вызвать дефицит кислорода. При контакте газа с источником тепла образуется токсичный газ.

Если вы заметили какое-либо отклонение от нормального состояния (например, запах гари), прекратите эксплуатацию, выключите питание и обратитесь к вашему дилеру.

- Продолжение эксплуатации в такой ситуации может стать причиной поражения электрическим током, возникновения неисправностей или возгорания.

Установите все необходимые крышки и панели на клеммные коробки и блоки управления.

- Попадание пыли или влаги внутрь оборудования может привести к возгоранию или поражению электрическим током.

Регулярно проверяйте основание оборудования на повреждение.

- Потеря свойств основания может привести к падению блока с возможным травмированием людей.

По вопросам утилизации обращайтесь к вашему дилеру.

- Холодильное масло и хладагент представляют риск загрязнения окружающей среды, возгорания или взрыва.

 ВНИМАНИЕ

Не позволяйте детям играть с устройством.

Не используйте данное оборудование со снятыми панелями и крышками.

- Движущиеся, горячие, находящиеся под напряжением детали могут стать причиной телесных повреждений, поражения электрическим током или ожогов.

Не прикасайтесь к вентиляторам, теплообменникам или острым краям компонентов голыми руками.

- Это может привести к травмам.

При работе с оборудованием носите защитные перчатки.

- В противном случае это может привести к травмам.
- Если во время работы блока коснуться труб высокого давления голыми руками, это может привести к получению ожогов.

1-2. Меры предосторожности при транспортировке блока

! ПРЕДОСТЕРЕЖЕНИЕ

При подъеме оборудования закрепите стропы на четырех соответствующих подъемных проушинах.

- Неправильный подъем может привести к падению оборудования и травмированию людей.

! ВНИМАНИЕ

Не поднимайте оборудование с помощью пластиковых лент, которые используются для некоторых изделий.

- Это может привести к травмам.

Соблюдайте пределы грузоподъемности, определенные местными законодательствами.

- В противном случае это может привести к травмам.

1-3. Меры предосторожности при установке блока

! ПРЕДОСТЕРЕЖЕНИЕ

Запрещается устанавливать этот блок в местах, где возможна утечка огнеопасных газов.

- Скопление газа около блока может привести к взрыву.

Не разрешайте детям играть с упаковочными материалами.

- Это может привести к удушью или серьезным травмам.

Разрежьте упаковочный материал перед его утилизацией.

Все монтажные работы должны выполняться только квалифицированным персоналом в соответствии с инструкциями данного руководства.

- Неправильный монтаж может привести к утечке хладагента, воды, серьезным травмам, поражению электрическим током или возгоранию.

При установке кондиционера воздуха в небольшом помещении следует предварительно провести измерения и убедиться в том, что в случае аварийной утечки в этом помещении не будет превышена предельно допустимая концентрация паров хладагента.

- Для получения информации о допустимой концентрации в помещении обратитесь в дилерский центр. Утечка хладагента и превышение допустимой концентрации влекут за собой недопустимое снижение содержания кислорода в воздухе.

Монтируйте оборудование согласно инструкциям с целью снижения риска повреждения при землетрясениях и сильных ветрах.

- Неправильный монтаж может привести к падению оборудования и травмированию людей.

Блок должен быть надежно закреплен при монтаже на основании, которое способно выдержать вес конструкции.

- Невыполнение данного условия может привести к падению блока и травмированию людей.

⚠ ВНИМАНИЕ

Закройте все отверстия для труб и проводов, не подпускайте к ним мелких животных, избегайте попадания в них влаги или снега.

- В противном случае это может повлечь за собой утечку тока, поражение электрическим током или возникновение неисправностей блока.

1-4. Меры предосторожности при прокладке трубопроводов

⚠ ПРЕДОСТЕРЕЖЕНИЕ

Перед нагревом запаянных секций удалите газ и масло, скопившиеся в трубах.

- В противном случае это может привести к возгоранию и последующим серьезным травмам.

Не используйте для продувки хладагент. Используйте вакуумный насос для продувки системы.

- Остаточный газ, скопившийся в магистралях хладагента, может стать причиной разрыва труб или взрыва.

Не используйте кислород, легковоспламеняемый газ или хладагент, содержащий хлор, для проверки герметичности.

- Это может привести к взрыву. Хлор способствует ухудшению свойств холодильного масла.

При установке или перемещении блока следует применять только хладагент, рекомендованный для использования в данных магистралях хладагента.

- Использование вещества, не соответствующего указанному хладагенту, может стать причиной повышения давления в трубопроводе и последующего разрыва труб или взрыва.

По завершении установки проверьте, нет ли утечки хладагента.

- Утечка хладагента может вызвать дефицит кислорода. При контакте газа с источником тепла образуется токсичный газ.

1-5. Меры предосторожности при прокладке электропроводки

⚠ ПРЕДОСТЕРЕЖЕНИЕ

Силовые кабели должны прокладываться с небольшим запасом.

- В противном случае это может привести к их разрыву или перегреву, что может стать причиной возгорания или задымления.

Соединения на клеммах должны быть надежно затянуты соответствующим моментом.

- Неправильное подключение кабелей может привести к их разрыву или перегреву, что может стать причиной возгорания или задымления.

Затяните все клеммные винты указанным моментом.

- Ослабленные винты и неправильные соединения могут стать причиной задымления или возгорания.

Электрические работы должны выполняться только квалифицированным персоналом в соответствии с местными нормами, а также инструкциями, приведенными в данном руководстве. Используйте только указанные кабели и соответствующие схемы.

- Неверный выбор уровня мощности источника питания и неправильный монтаж электропроводки приведет к поражениям электрическим током, возникновению неисправностей и возгоранию.

Установите автоматический выключатель на блок питания каждого устройства.

- В противном случае это может стать причиной поражения электрическим током.

Используйте только прерыватели с верными значениями тока (прерыватель замыкания на землю, вводной выключатель <переключатель + предохранитель, отвечающий местным требованиям электробезопасности> или максимальный прерыватель).

- В противном случае это может стать причиной поражения электрическим током, неполадок, задымления или возгорания.

Используйте только стандартные провода питания с рекомендованными характеристиками.

- В противном случае это может стать причиной утечки тока, перегрева, задымления или возгорания.

Соответствующее заземление устройства должно быть выполнено квалифицированными специалистами.

- Неправильное заземление может привести к поражению электрическим током, возгоранию, взрыву или неисправности в следствие электрического шума. Не подсоединяйте провод заземления к газопроводу, водопроводу, громоотводу или линии заземления телефонной проводки.

⚠ ВНИМАНИЕ

По завершении монтажа электропроводки измерьте сопротивление изоляции, оно должно составлять минимум 1 МОм.

- В противном случае это может стать причиной утечки тока, неполадок или возгорания.

1-6. Меры предосторожности при перемещении и ремонте блока

⚠ ПРЕДОСТЕРЕЖЕНИЕ

К перемещению и ремонту оборудования допускается только квалифицированный персонал. Не изменяйте и не разбирайте данное оборудование.

- В противном случае это может привести к утечке хладагента, воды, серьезным травмам, поражению электрическим током или возгоранию.

Не выполняйте технические работы на устройстве во время дождя.

- Это может повлечь за собой утечку тока, поражение электрическим током, натяжение проводки, возникновение неисправностей, задымление или возгорание.

1-7. Дополнительные меры предосторожности

ВНИМАНИЕ

Не отключайте питание незамедлительно после прекращения работы прибора.

- Выключайте питание не ранее чем через 5 минут после завершения работы. В противном случае это может стать причиной утечки дренажной воды или механических неисправностей чувствительных компонентов.

Специалист дилера или иной квалифицированный специалист должен регулярно проверять устройство.

- При скоплении пыли и грязи внутри устройства дренажные трубки могут засориться, при этом возникнет утечка воды из дренажных трубок, что станет причиной скопления неприятных запахов.

Подключите электропитание не менее чем за 12 часов до начала работы. В течение рабочего сезона питание устройства должно быть включено.

- Недостаточная мощность может стать причиной повреждения.

Не используйте кондиционер воздуха не по назначению (например, для обеспечения сохранности пищевых продуктов, растений, обеспечения подходящего для животных климата, для высокоточных устройств или предметов искусства в помещении).

- Подобные вещи и предметы могут быть повреждены или иссушены.

Слейте хладагент и утилизируйте его согласно требованиям местных законодательств.

Запрещается устанавливать блок на или над объектами, попадание воды на которые может привести к их порче.

- При влажности в помещении свыше 80% или при засорении дренажной трубы конденсат с внутреннего блока может капать на потолок или пол.

С целью обеспечения соответствующего дренажа специалист дилера или иной квалифицированный специалист должен установить соответствующую дренажную систему.

- Неправильная установка дренажной системы может привести к утечке воды и последующей порче мебели или иного имущества.

При установке устройства в больницах или местах, где используется радиосвязь, принимайте необходимые меры по защите от электромагнитных помех.

- Инверторное, высокочастотное медицинское оборудование и оборудование для беспроводной связи, а также генераторы могут приводить к нарушениям в работе системы кондиционирования. Системы кондиционирования также могут оказывать отрицательное влияние на такое оборудование, создавая электрический шум.

Оберните трубки специальным материалом во избежание конденсации.

- Конденсат может скапливаться и капать с внутреннего блока на потолок или пол.

Сервисные клапаны должны быть закрыты до окончания заправки добавочного количества хладагента.

- В противном случае устройство может выйти из строя.

Накройте сервисные клапаны влажным полотенцем перед спайкой трубок во избежание перегрева клапанов свыше 120 °C (248 °F).

- В противном случае это может привести к повреждению оборудования.

Не допускайте обгорания кабелей и воздействия пламени на металлические пластины при спайке труб.

- В противном случае это может привести обгоранию или неисправностям.

Используйте только специально предназначенные для конкретного хладагента инструменты: штуцер манометра, заправочный шланг, течеискатель, обратный клапан, заправочное основание, оборудование для восстановления хладагента.

- Течеискатели, используемые для работы с обычными хладагентами, неприменимы к хладагентам, которые не содержат хлор.
- При смеси хладагента с водой, холодильным маслом или другим хладагентом, эксплуатационные качества холодильного масла снизятся, что приведет к повреждению компрессора.

Используйте вакуумный насос с обратным клапаном.

- Проникновение масла вакуумного насоса в контур охлаждения может привести к ухудшению эксплуатационных качеств холодильного масла и повреждению компрессора.

Инструменты должны быть чистыми.

- При скоплении пыли, грязи или воды в зарядном шланге или инструмента для раструба, эксплуатационные характеристики хладагента снизятся, что приведет к неисправности компрессора.

Используйте трубы из раскисленной фосфором меди (бесшовные трубы, выполненные из латуни), соответствующие требованиям местных законодательств. Трубные соединения должны также соответствовать требованиям местных законодательств. Внутренняя и внешняя поверхность труб должна быть чистой, без частиц серы, окисей, пыли, грязи, частиц стружки, масел, влаги или других загрязнений.

- Загрязнение внутренней поверхности труб хладагента может вызвать ухудшение качеств холодильного масла, что впоследствии может привести к повреждению компрессора.

Храните трубы в помещении, закрыв их с обоих концов до пайки. (соединительные колена и другие соединения храните в пластиковом пакете).

- Попадание в холодильный контур пыли, грязи или воды может привести к ухудшению эксплуатационных свойств холодильного масла и выходу компрессора из строя.

Спаивайте трубы после продувки азотом во избежание окисления.

- Окисленный поток внутри труб хладагента может вызвать ухудшение качеств холодильного масла, что впоследствии может привести к повреждению компрессора.

Не используйте имеющиеся трубы хладагента.

- Использование старых труб хладагента и старого холодильного масла, содержащих большое количество хлора, может привести к ухудшению эксплуатационных качеств холодильного масла и последующему повреждению компрессора.

Заправляйте хладагент в жидком состоянии.

- При заправке газообразного хладагента для его состав в баллоне изменится, а рабочие показатели прибора могут ухудшиться.

Запрещается использовать заправочные баллоны при заправке хладагента.

- Использование заправочного баллона может привести к изменению состава хладагента, что станет причиной ухудшения показателей прибора.

Большой ток из-за неисправности или повреждения проводки может привести к срабатыванию автоматических выключателей защиты от утечки тока на стороне блока и на стороне источника питания. В зависимости от важности системы отделите систему источника питания или выполните согласование установок автоматических выключателей.

Данное действие должны выполнять эксперты или персонал, прошедший специальное обучение а цехах, помещениях легкой промышленности или на фермах, или же в случаях коммерческого использования – неспециалисты.

Данное устройство не предназначено для использования лицами (включая детей) со сниженными физическими, сенсорными и умственными способностями, а также лицами без достаточных знаний и опыта, за исключением случаев, когда устройство используется под присмотром или руководством человека, ответственного за безопасность таких лиц.

Касаться USB-порта блока управления разрешается только квалифицированному персоналу.

2. Информация об изделии

- Наружный блок, описанный в данном руководстве, является кондиционером воздуха, предназначенным только для обеспечения комфортных условий для человека.
- Цифровые значения в названии модели (например, PUHY-P***YNW-A, PUHY-EP***YNW-A) соответствуют емкости блока.
- В данном изделии применяется хладагент R410A.

3. Комбинация наружных блоков

(1) Модели P

| Модели наружных блоков | Комбинация наружных блоков | | |
|------------------------|----------------------------|---------------------|---------------------|
| PUHY-P200YNW-A(-BS) | - | - | - |
| PUHY-P250YNW-A(-BS) | - | - | - |
| PUHY-P300YNW-A(-BS) | - | - | - |
| PUHY-P350YNW-A(-BS) | - | - | - |
| PUHY-P400YNW-A(-BS) | - | - | - |
| PUHY-P450YNW-A(-BS) | - | - | - |
| PUHY-P500YNW-A(-BS) | - | - | - |
| PUHY-P400YSNW-A(-BS) | PUHY-P200YNW-A(-BS) | PUHY-P200YNW-A(-BS) | - |
| PUHY-P450YSNW-A(-BS) | PUHY-P250YNW-A(-BS) | PUHY-P200YNW-A(-BS) | - |
| PUHY-P500YSNW-A(-BS) | PUHY-P250YNW-A(-BS) | PUHY-P250YNW-A(-BS) | - |
| PUHY-P550YSNW-A(-BS) | PUHY-P300YNW-A(-BS) | PUHY-P250YNW-A(-BS) | - |
| PUHY-P600YSNW-A(-BS) | PUHY-P300YNW-A(-BS) | PUHY-P300YNW-A(-BS) | - |
| PUHY-P650YSNW-A(-BS) | PUHY-P400YNW-A(-BS) | PUHY-P250YNW-A(-BS) | - |
| PUHY-P700YSNW-A(-BS) | PUHY-P350YNW-A(-BS) | PUHY-P350YNW-A(-BS) | - |
| PUHY-P750YSNW-A(-BS) | PUHY-P400YNW-A(-BS) | PUHY-P350YNW-A(-BS) | - |
| PUHY-P800YSNW-A(-BS) | PUHY-P450YNW-A(-BS) | PUHY-P350YNW-A(-BS) | - |
| PUHY-P850YSNW-A(-BS) | PUHY-P450YNW-A(-BS) | PUHY-P400YNW-A(-BS) | - |
| PUHY-P900YSNW-A(-BS) | PUHY-P450YNW-A(-BS) | PUHY-P450YNW-A(-BS) | - |
| PUHY-P950YSNW-A(-BS) | PUHY-P350YNW-A(-BS) | PUHY-P350YNW-A(-BS) | PUHY-P250YNW-A(-BS) |
| PUHY-P1000YSNW-A(-BS) | PUHY-P400YNW-A(-BS) | PUHY-P350YNW-A(-BS) | PUHY-P250YNW-A(-BS) |
| PUHY-P1050YSNW-A(-BS) | PUHY-P400YNW-A(-BS) | PUHY-P400YNW-A(-BS) | PUHY-P250YNW-A(-BS) |
| PUHY-P1100YSNW-A(-BS) | PUHY-P400YNW-A(-BS) | PUHY-P350YNW-A(-BS) | PUHY-P350YNW-A(-BS) |
| PUHY-P1150YSNW-A(-BS) | PUHY-P400YNW-A(-BS) | PUHY-P400YNW-A(-BS) | PUHY-P350YNW-A(-BS) |
| PUHY-P1200YSNW-A(-BS) | PUHY-P400YNW-A(-BS) | PUHY-P400YNW-A(-BS) | PUHY-P400YNW-A(-BS) |
| PUHY-P1250YSNW-A(-BS) | PUHY-P450YNW-A(-BS) | PUHY-P400YNW-A(-BS) | PUHY-P400YNW-A(-BS) |
| PUHY-P1300YSNW-A(-BS) | PUHY-P450YNW-A(-BS) | PUHY-P450YNW-A(-BS) | PUHY-P400YNW-A(-BS) |
| PUHY-P1350YSNW-A(-BS) | PUHY-P450YNW-A(-BS) | PUHY-P450YNW-A(-BS) | PUHY-P450YNW-A(-BS) |

* «Двойник-разветвитель» требуется для подключения комбинационных блоков на месте.

(2) Модели EP

| Модели наружных блоков | Комбинация наружных блоков | | |
|------------------------|----------------------------|----------------------|----------------------|
| PUHY-EP200YNW-A(-BS) | - | - | - |
| PUHY-EP250YNW-A(-BS) | - | - | - |
| PUHY-EP300YNW-A(-BS) | - | - | - |
| PUHY-EP350YNW-A(-BS) | - | - | - |
| PUHY-EP400YNW-A(-BS) | - | - | - |
| PUHY-EP450YNW-A(-BS) | - | - | - |
| PUHY-EP500YNW-A(-BS) | - | - | - |
| PUHY-EP400YSNW-A(-BS) | PUHY-EP200YNW-A(-BS) | PUHY-EP200YNW-A(-BS) | - |
| PUHY-EP450YSNW-A(-BS) | PUHY-EP250YNW-A(-BS) | PUHY-EP200YNW-A(-BS) | - |
| PUHY-EP500YSNW-A(-BS) | PUHY-EP250YNW-A(-BS) | PUHY-EP250YNW-A(-BS) | - |
| PUHY-EP550YSNW-A(-BS) | PUHY-EP300YNW-A(-BS) | PUHY-EP250YNW-A(-BS) | - |
| PUHY-EP600YSNW-A(-BS) | PUHY-EP300YNW-A(-BS) | PUHY-EP300YNW-A(-BS) | - |
| PUHY-EP650YSNW-A(-BS) | PUHY-EP400YNW-A(-BS) | PUHY-EP250YNW-A(-BS) | - |
| PUHY-EP700YSNW-A(-BS) | PUHY-EP350YNW-A(-BS) | PUHY-EP350YNW-A(-BS) | - |
| PUHY-EP750YSNW-A(-BS) | PUHY-EP400YNW-A(-BS) | PUHY-EP350YNW-A(-BS) | - |
| PUHY-EP800YSNW-A(-BS) | PUHY-EP450YNW-A(-BS) | PUHY-EP350YNW-A(-BS) | - |
| PUHY-EP850YSNW-A(-BS) | PUHY-EP450YNW-A(-BS) | PUHY-EP400YNW-A(-BS) | - |
| PUHY-EP900YSNW-A(-BS) | PUHY-EP450YNW-A(-BS) | PUHY-EP450YNW-A(-BS) | - |
| PUHY-EP950YSNW-A(-BS) | PUHY-EP350YNW-A(-BS) | PUHY-EP350YNW-A(-BS) | PUHY-EP250YNW-A(-BS) |
| PUHY-EP1000YSNW-A(-BS) | PUHY-EP400YNW-A(-BS) | PUHY-EP350YNW-A(-BS) | PUHY-EP250YNW-A(-BS) |
| PUHY-EP1050YSNW-A(-BS) | PUHY-EP400YNW-A(-BS) | PUHY-EP400YNW-A(-BS) | PUHY-EP250YNW-A(-BS) |
| PUHY-EP1100YSNW-A(-BS) | PUHY-EP400YNW-A(-BS) | PUHY-EP350YNW-A(-BS) | PUHY-EP350YNW-A(-BS) |
| PUHY-EP1150YSNW-A(-BS) | PUHY-EP400YNW-A(-BS) | PUHY-EP400YNW-A(-BS) | PUHY-EP350YNW-A(-BS) |
| PUHY-EP1200YSNW-A(-BS) | PUHY-EP400YNW-A(-BS) | PUHY-EP400YNW-A(-BS) | PUHY-EP400YNW-A(-BS) |
| PUHY-EP1250YSNW-A(-BS) | PUHY-EP450YNW-A(-BS) | PUHY-EP400YNW-A(-BS) | PUHY-EP400YNW-A(-BS) |
| PUHY-EP1300YSNW-A(-BS) | PUHY-EP450YNW-A(-BS) | PUHY-EP450YNW-A(-BS) | PUHY-EP400YNW-A(-BS) |
| PUHY-EP1350YSNW-A(-BS) | PUHY-EP450YNW-A(-BS) | PUHY-EP450YNW-A(-BS) | PUHY-EP450YNW-A(-BS) |

* «Двойник-разветвитель» требуется для подключения комбинационных блоков на месте.

4. Технические характеристики

(1) Модели P

| Модель | | PUHY-P200YNW-A | PUHY-P250YNW-A | PUHY-P300YNW-A | PUHY-P350YNW-A | PUHY-P400YNW-A | PUHY-P450YNW-A |
|--|--------------------|----------------|---|----------------|----------------|----------------|----------------|
| Потребляемая мощность | Охлаждение | 4,24 | 5,78 | 7,66 | 9,87 | 11,47 | 12,22 |
| | Обогрев | 4,58 | 6,04 | 7,86 | 10,51 | 13,40 | 13,42 |
| Уровень звукового давления ³ (50/60 Гц) | | 58,0 dB <A> | 60,0 dB <A> | 61,0 dB <A> | 62,0 dB <A> | 65,0 dB <A> | 65,5 dB <A> |
| Уровень внешнего статического давления | | 0 Па*2 | | | | | |
| Внутренний блок | Суммарная мощность | 50% – 130%*1 | | | | | |
| | Модель | 15 – 250 | | | | | |
| | Количество | 1 – 17 | 1 – 21 | 1 – 26 | 1 – 30 | 1 – 34 | 1 – 39 |
| Диапазон рабочих температур (охлаждение) | Наружный блок | С.Т. | -5,0 °C – +52,0 °C (+23,0 °F – +125,6 °F) | | | | |
| | Внутренний блок | В.Т. | +15,0 °C – +24,0 °C (+59,0 °F – +75,0 °F) | | | | |
| Диапазон рабочих температур (обогрев) | Наружный блок | В.Т. | -20,0 °C – +15,5 °C (-4,0 °F – +60,0 °F) | | | | |
| | Внутренний блок | С.Т. | +15,0 °C – +27,0 °C (+59,0 °F – +81,0 °F) | | | | |

| Модель | | PUHY-P500YNW-A | PUHY-P400YSNW-A | PUHY-P450YSNW-A | PUHY-P500YSNW-A | PUHY-P550YSNW-A | PUHY-P600YSNW-A |
|--|--------------------|----------------|---|-----------------|-----------------|-----------------|-----------------|
| Потребляемая мощность | Охлаждение | 12,52 | 8,77 | 10,22 | 11,91 | 14,15 | 16,26 |
| | Обогрев | 14,61 | 9,45 | 10,85 | 12,45 | 14,26 | 16,52 |
| Уровень звукового давления ³ (50/60 Гц) | | 63,5 dB <A> | 61,0 dB <A> | 62,0 dB <A> | 63,0 dB <A> | 63,5 dB <A> | 64,0 dB <A> |
| Уровень внешнего статического давления | | 0 Па*2 | | | | | |
| Внутренний блок | Суммарная мощность | 50% – 130%*1 | | | | | |
| | Модель | 15 – 250 | | | | | |
| | Количество | 1 – 43 | 1 – 34 | 1 – 39 | 1 – 43 | 2 – 47 | 2 – 50 |
| Диапазон рабочих температур (охлаждение) | Наружный блок | С.Т. | -5,0 °C – +52,0 °C (+23,0 °F – +125,6 °F) | | | | |
| | Внутренний блок | В.Т. | +15,0 °C – +24,0 °C (+59,0 °F – +75,0 °F) | | | | |
| Диапазон рабочих температур (обогрев) | Наружный блок | В.Т. | -20,0 °C – +15,5 °C (-4,0 °F – +60,0 °F) | | | | |
| | Внутренний блок | С.Т. | +15,0 °C – +27,0 °C (+59,0 °F – +81,0 °F) | | | | |

| Модель | | PUHY-P650YSNW-A | PUHY-P700YSNW-A | PUHY-P750YSNW-A | PUHY-P800YSNW-A | PUHY-P850YSNW-A | PUHY-P900YSNW-A |
|--|--------------------|-----------------|---|-----------------|-----------------|-----------------|-----------------|
| Потребляемая мощность | Охлаждение | 17,59 | 20,35 | 21,99 | 22,76 | 24,66 | 25,44 |
| | Обогрев | 19,53 | 21,15 | 24,54 | 24,39 | 28,05 | 27,90 |
| Уровень звукового давления ³ (50/60 Гц) | | 66,5 dB <A> | 65,0 dB <A> | 67,0 dB <A> | 67,5 dB <A> | 68,5 dB <A> | 68,5 dB <A> |
| Уровень внешнего статического давления | | 0 Па*2 | | | | | |
| Внутренний блок | Суммарная мощность | 50% – 130%*1 | | | | | |
| | Модель | 15 – 250 | | | | | |
| | Количество | 2 – 50 | 2 – 50 | 2 – 50 | 2 – 50 | 2 – 50 | 2 – 50 |
| Диапазон рабочих температур (охлаждение) | Наружный блок | С.Т. | -5,0 °C – +52,0 °C (+23,0 °F – +125,6 °F) | | | | |
| | Внутренний блок | В.Т. | +15,0 °C – +24,0 °C (+59,0 °F – +75,0 °F) | | | | |
| Диапазон рабочих температур (обогрев) | Наружный блок | В.Т. | -20,0 °C – +15,5 °C (-4,0 °F – +60,0 °F) | | | | |
| | Внутренний блок | С.Т. | +15,0 °C – +27,0 °C (+59,0 °F – +81,0 °F) | | | | |

| Модель | | PUHY-P950YSNW-A | PUHY-P1000YSNW-A | PUHY-P1050YSNW-A | PUHY-P1100YSNW-A | PUHY-P1150YSNW-A | PUHY-P1200YSNW-A |
|--|--------------------|-----------------|---|------------------|------------------|------------------|------------------|
| Потребляемая мощность | Охлаждение | 26,13 | 27,74 | 29,35 | 31,87 | 33,82 | 35,69 |
| | Обогрев | 27,20 | 30,45 | 33,30 | 35,34 | 38,32 | 41,42 |
| Уровень звукового давления*3 (50/60 Гц) | | 66,0 dB <A> | 68,0 dB <A> | 68,5 dB <A> | 68,5 dB <A> | 69,0 dB <A> | 70,0 dB <A> |
| Уровень внешнего статического давления | | 0 Па*2 | | | | | |
| Внутренний блок | Суммарная мощность | | 50% – 130%*1 | | | | |
| | Модель | | 15 – 250 | | | | |
| | Количество | | 2 – 50 | 2 – 50 | 3 – 50 | 3 – 50 | 3 – 50 |
| Диапазон рабочих температур (охлаждение) | Наружный блок | С.Т. | -5,0 °C – +52,0 °C (+23,0 °F – +125,6 °F) | | | | |
| | Внутренний блок | В.Т. | +15,0 °C – +24,0 °C (+59,0 °F – +75,0 °F) | | | | |
| Диапазон рабочих температур (обогрев) | Наружный блок | В.Т. | -20,0 °C – +15,5 °C (-4,0 °F – +60,0 °F) | | | | |
| | Внутренний блок | С.Т. | +15,0 °C – +27,0 °C (+59,0 °F – +81,0 °F) | | | | |

| Модель | | PUHY-P1250YSNW-A | PUHY-P1300YSNW-A | PUHY-P1350YSNW-A |
|--|--------------------|------------------|---|------------------|
| Потребляемая мощность | Охлаждение | 36,17 | 37,24 | 37,78 |
| | Обогрев | 41,40 | 41,55 | 41,40 |
| Уровень звукового давления*3 (50/60 Гц) | | 70,0 dB <A> | 70,0 dB <A> | 70,5 dB <A> |
| Уровень внешнего статического давления | | 0 Па*2 | | |
| Внутренний блок | Суммарная мощность | | 50% – 130%*1 | |
| | Модель | | 15 – 250 | |
| | Количество | | 3 – 50 | 3 – 50 |
| Диапазон рабочих температур (охлаждение) | Наружный блок | С.Т. | -5,0 °C – +52,0 °C (+23,0 °F – +125,6 °F) | |
| | Внутренний блок | В.Т. | +15,0 °C – +24,0 °C (+59,0 °F – +75,0 °F) | |
| Диапазон рабочих температур (обогрев) | Наружный блок | В.Т. | -20,0 °C – +15,5 °C (-4,0 °F – +60,0 °F) | |
| | Внутренний блок | С.Т. | +15,0 °C – +27,0 °C (+59,0 °F – +81,0 °F) | |

*1 Совокупная мощность одновременно работающих внутренних блоков составляет 130%.

*2 Для обеспечения высокого статического давления установите переключатели на главной панели следующим образом.

| | | |
|-------------------|-----------------|-------------------|
| | SW6-5: ON (ВКЛ) | SW6-5: OFF (ВЫКЛ) |
| SW6-4: ON (ВКЛ) | 80 Па | 60 Па |
| SW6-4: OFF (ВЫКЛ) | 30 Па | 0 Па |

*3 Режим охлаждения

(2) Модели EP

| Модель | | PUHY-EP200YNW-A | PUHY-EP250YNW-A | PUHY-EP300YNW-A | PUHY-EP350YNW-A | PUHY-EP400YNW-A | PUHY-EP450YNW-A |
|--|--------------------|-----------------|---|-----------------|-----------------|-----------------|-----------------|
| Потребляемая мощность | Охлаждение | 4,00 | 5,49 | 6,96 | 8,75 | 10,46 | 11,10 |
| | Обогрев | 4,50 | 5,86 | 7,51 | 9,86 | 12,40 | 13,02 |
| Уровень звукового давления*3 (50/60 Гц) | | 58,0 dB <A> | 60,0 dB <A> | 61,0 dB <A> | 62,0 dB <A> | 65,0 dB <A> | 65,5 dB <A> |
| Уровень внешнего статического давления | | 0 Па*2 | | | | | |
| Внутренний блок | Суммарная мощность | | 50% – 130%*1 | | | | |
| | Модель | | 15 – 250 | | | | |
| | Количество | | 1 – 17 | 1 – 21 | 1 – 26 | 1 – 30 | 1 – 34 |
| Диапазон рабочих температур (охлаждение) | Наружный блок | С.Т. | -5,0 °C – +52,0 °C (+23,0 °F – +125,6 °F) | | | | |
| | Внутренний блок | В.Т. | +15,0 °C – +24,0 °C (+59,0 °F – +75,0 °F) | | | | |
| Диапазон рабочих температур (обогрев) | Наружный блок | В.Т. | -20,0 °C – +15,5 °C (-4,0 °F – +60,0 °F) | | | | |
| | Внутренний блок | С.Т. | +15,0 °C – +27,0 °C (+59,0 °F – +81,0 °F) | | | | |

| Модель | | PUHY-EP500YSNW-A | PUHY-EP400YSNW-A | PUHY-EP450YSNW-A | PUHY-EP500YSNW-A | PUHY-EP550YSNW-A | PUHY-EP600YSNW-A |
|---|--------------------|--------------------------|---|------------------|------------------|------------------|------------------|
| Потребляемая мощность | Охлаждение | 12,41 | 8,27 | 9,67 | 11,31 | 13,10 | 14,75 |
| | Обогрев | 13,57 | 9,27 | 10,58 | 12,09 | 13,77 | 15,79 |
| Уровень звукового давления ^{*3} (50/60 Гц) | | 63,5 dB <A> | 61,0 dB <A> | 62,0 dB <A> | 63,0 dB <A> | 63,5 dB <A> | 64,0 dB <A> |
| Уровень внешнего статического давления | | 0 Па ^{*2} | | | | | |
| Внутренний блок | Суммарная мощность | 50% – 130% ^{*1} | | | | | |
| | Модель | 15 – 250 | | | | | |
| | Количество | 1 – 43 | 1 – 34 | 1 – 39 | 1 – 43 | 2 – 47 | 2 – 50 |
| Диапазон рабочих температур (охлаждение) | Наружный блок | С.Т. | -5,0 °C – +52,0 °C (+23,0 °F – +125,6 °F) | | | | |
| | Внутренний блок | В.Т. | +15,0 °C – +24,0 °C (+59,0 °F – +75,0 °F) | | | | |
| Диапазон рабочих температур (обогрев) | Наружный блок | В.Т. | -20,0 °C – +15,5 °C (-4,0 °F – +60,0 °F) | | | | |
| | Внутренний блок | С.Т. | +15,0 °C – +27,0 °C (+59,0 °F – +81,0 °F) | | | | |

| Модель | | PUHY-EP650YSNW-A | PUHY-EP700YSNW-A | PUHY-EP750YSNW-A | PUHY-EP800YSNW-A | PUHY-EP850YSNW-A | PUHY-EP900YSNW-A |
|---|--------------------|--------------------------|---|------------------|------------------|------------------|------------------|
| Потребляемая мощность | Охлаждение | 16,32 | 18,00 | 19,75 | 20,45 | 22,40 | 23,10 |
| | Обогрев | 18,47 | 19,85 | 22,88 | 23,30 | 26,66 | 27,07 |
| Уровень звукового давления ^{*3} (50/60 Гц) | | 66,5 dB <A> | 65,0 dB <A> | 67,0 dB <A> | 67,5 dB <A> | 68,5 dB <A> | 68,5 dB <A> |
| Уровень внешнего статического давления | | 0 Па ^{*2} | | | | | |
| Внутренний блок | Суммарная мощность | 50% – 130% ^{*1} | | | | | |
| | Модель | 15 – 250 | | | | | |
| | Количество | 2 – 50 | 2 – 50 | 2 – 50 | 2 – 50 | 2 – 50 | 2 – 50 |
| Диапазон рабочих температур (охлаждение) | Наружный блок | С.Т. | -5,0 °C – +52,0 °C (+23,0 °F – +125,6 °F) | | | | |
| | Внутренний блок | В.Т. | +15,0 °C – +24,0 °C (+59,0 °F – +75,0 °F) | | | | |
| Диапазон рабочих температур (обогрев) | Наружный блок | В.Т. | -20,0 °C – +15,5 °C (-4,0 °F – +60,0 °F) | | | | |
| | Внутренний блок | С.Т. | +15,0 °C – +27,0 °C (+59,0 °F – +81,0 °F) | | | | |

| Модель | | PUHY-EP950YSNW-A | PUHY-EP1000YSNW-A | PUHY-EP1050YSNW-A | PUHY-EP1100YSNW-A | PUHY-EP1150YSNW-A | PUHY-EP1200YSNW-A |
|---|--------------------|--------------------------|---|-------------------|-------------------|-------------------|-------------------|
| Потребляемая мощность | Охлаждение | 23,62 | 25,33 | 27,05 | 28,56 | 30,56 | 32,58 |
| | Обогрев | 25,79 | 28,70 | 31,26 | 33,00 | 35,60 | 38,34 |
| Уровень звукового давления ^{*3} (50/60 Гц) | | 66,0 dB <A> | 68,0 dB <A> | 68,5 dB <A> | 68,5 dB <A> | 69,0 dB <A> | 70,0 dB <A> |
| Уровень внешнего статического давления | | 0 Па ^{*2} | | | | | |
| Внутренний блок | Суммарная мощность | 50% – 130% ^{*1} | | | | | |
| | Модель | 15 – 250 | | | | | |
| | Количество | 2 – 50 | 2 – 50 | 3 – 50 | 3 – 50 | 3 – 50 | 3 – 50 |
| Диапазон рабочих температур (охлаждение) | Наружный блок | С.Т. | -5,0 °C – +52,0 °C (+23,0 °F – +125,6 °F) | | | | |
| | Внутренний блок | В.Т. | +15,0 °C – +24,0 °C (+59,0 °F – +75,0 °F) | | | | |
| Диапазон рабочих температур (обогрев) | Наружный блок | В.Т. | -20,0 °C – +15,5 °C (-4,0 °F – +60,0 °F) | | | | |
| | Внутренний блок | С.Т. | +15,0 °C – +27,0 °C (+59,0 °F – +81,0 °F) | | | | |

| Модель | | ПУНУ-EP1250YSNW-A | ПУНУ-EP1300YSNW-A | ПУНУ-EP1350YSNW-A |
|--|--------------------|-------------------|---|-------------------|
| Потребляемая мощность | Охлаждение | 32,98 | 33,85 | 34,30 |
| | Обогрев | 39,00 | 39,81 | 40,24 |
| Уровень звукового давления*3 (50/60 Гц) | | 70,0 dB <A> | 70,0 dB <A> | 70,5 dB <A> |
| Уровень внешнего статического давления | | 0 Па*2 | | |
| Внутренний блок | Суммарная мощность | 50% – 130%*1 | | |
| | Модель | 15 – 250 | | |
| | Количество | 3 – 50 | 3 – 50 | 3 – 50 |
| Диапазон рабочих температур (охлаждение) | Наружный блок | С.Т. | -5,0 °C – +52,0 °C (+23,0 °F – +125,6 °F) | |
| | Внутренний блок | В.Т. | +15,0 °C – +24,0 °C (+59,0 °F – +75,0 °F) | |
| Диапазон рабочих температур (обогрев) | Наружный блок | В.Т. | -20,0 °C – +15,5 °C (-4,0 °F – +60,0 °F) | |
| | Внутренний блок | С.Т. | +15,0 °C – +27,0 °C (+59,0 °F – +81,0 °F) | |

*1 Совокупная мощность одновременно работающих внутренних блоков составляет 130%.

*2 Для обеспечения высокого статического давления установите переключатели на главной панели следующим образом.

| | SW6-5: ON (ВКЛ) | SW6-5: OFF (ВЫКЛ) |
|-------------------|-----------------|-------------------|
| SW6-4: ON (ВКЛ) | 80 Па | 60 Па |
| SW6-4: OFF (ВЫКЛ) | 30 Па | 0 Па |

*3 Режим охлаждения

5. Содержимое упаковки

В таблице ниже представлен список компонентов и их количество в упаковке.

(1) Модели P

| | Кабельная стяжка |
|------|------------------|
| P200 | 2 |
| P250 | 2 |
| P300 | 2 |
| P350 | 2 |
| P400 | 2 |
| P450 | 2 |
| P500 | 2 |

(2) Модели EP

| | Кабельная стяжка |
|-------|------------------|
| EP200 | 2 |
| EP250 | 2 |
| EP300 | 2 |
| EP350 | 2 |
| EP400 | 2 |
| EP450 | 2 |
| EP500 | 2 |

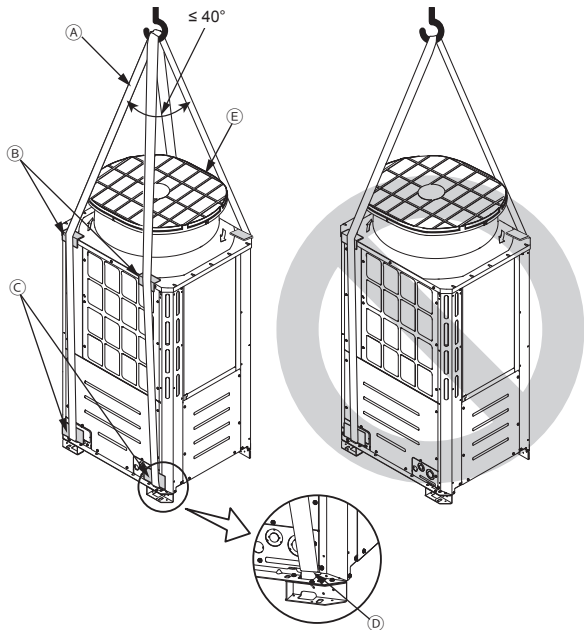
6. Транспортировка блока

! ПРЕДОСТЕРЕЖЕНИЕ

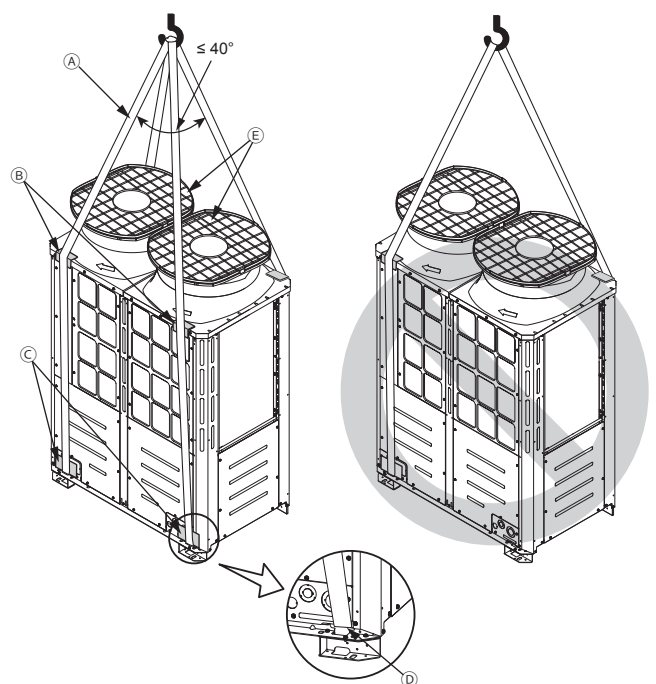
При подъеме оборудования закрепите стропы на четырех соответствующих подъемных проушинах.

- Неправильный подъем может привести к падению оборудования и травмированию людей.
- Всегда используйте 2 стропы для подъема блока. Каждый строп должен иметь длину минимум 8 м (26 фут.) и способен выдерживать вес блока.
- Установите защитные прокладки между стропами и местами касания блока, чтобы не поцарапать его.
- Установите защитные прокладки толщиной 50 мм (2 д.) или больше между стропами и местами касания блока, чтобы не поцарапать его.
- Углы между стропами и верхней частью не должны превышать 40 градусов.

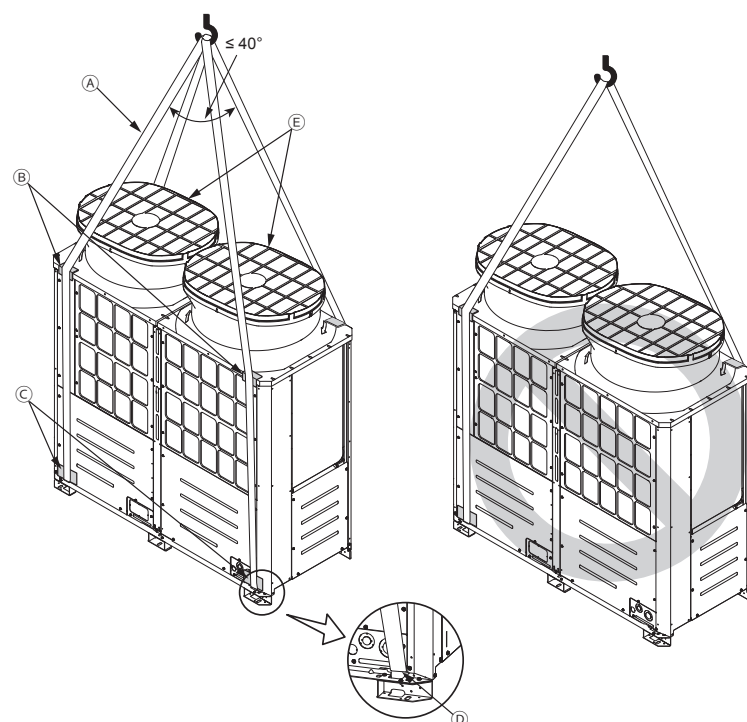
P200, P250, P300, EP200, EP300



P350, P400, P450, EP350, EP400, EP450



P500, EP500



- А Стропы (мин. 8 м (26 фут.) x 2)
- В Защитные прокладки (минимальная толщина: 50 мм (2 д.)) (по две спереди и сзади)
- С Защитные прокладки (по две спереди и сзади)
- Д Отверстия для строп (по два спереди и сзади)
- Е Защита вентилятора

RU

7. Положение монтажа

! ПРЕДОСТЕРЕЖЕНИЕ

Запрещается устанавливать этот блок в местах, где возможна утечка огнеопасных газов.

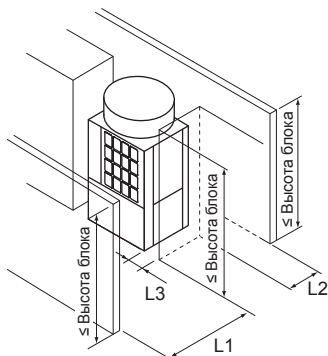
- Скопление газа около блока может привести к взрыву.

- Обеспечьте достаточное пространство вокруг блока для эффективного выполнения работ, воздухообмена и упрощения доступа с целью технического обслуживания.
- Обратите внимание, газообразный хладагент тяжелее воздуха, в следствие чего он может скапливаться в низких точках, таких как основание.
- В случае вывода воздушных трубок внутреннего блока рядом с внешним блоком старайтесь не препятствовать стандартному процессу работы внутреннего блока.
- Если количество дренажной воды слишком большое, при выполнении операции обогрева она поступает из внешнего блока вдоль панели. Обеспечьте достаточное пространство вокруг блока, следуя приведенным ниже инструкциям.

7-1. Установка одного блока

(1) В случае если максимальные значения высоты стенок соответствуют допустимым*.

[мм (д.)]



* Макс. высота

| | |
|----------------------------|---|
| Спереди/справа/слева/сзади | Такая же высота или меньше общей высота блока |
|----------------------------|---|

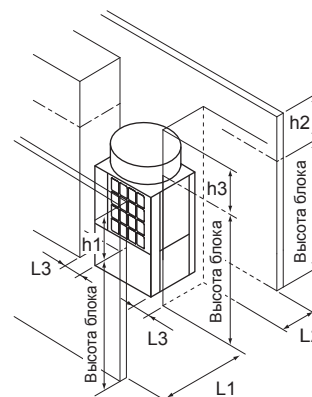
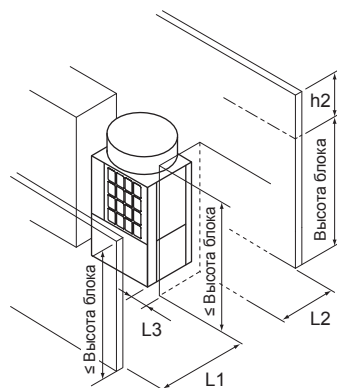
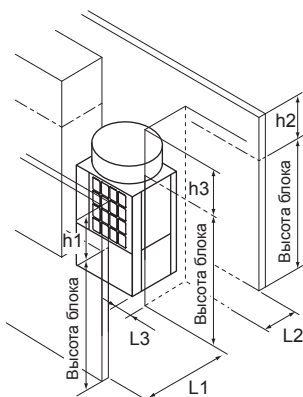
| | Требуемое минимальное расстояние [мм (д.)] | | |
|--|--|----------------|-------------------|
| | L1 (спереди) | L2 (сзади) | L3 (справа/слева) |
| В случае если расстояние за блоком (L2) должно быть небольшим | 450 (17-3/4) | 100 (3-15/16) | 50 (2) |
| В случае если расстояние справа или слева (L3) должно быть небольшим | 450 (17-3/4) | 300 (11-13/16) | 15 (5/8) |

(2) В случае если высота одной или нескольких стенок больше максимально допустимой*.

В случае если высота стенок спереди и/или справа/слева больше максимально допустимой

В случае если высота задней стенки больше максимально допустимой

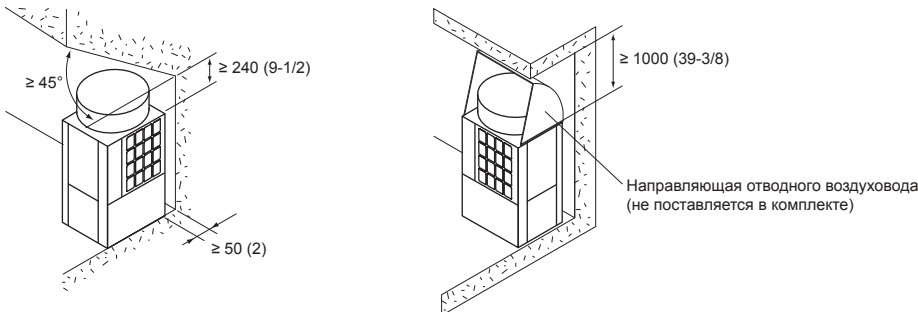
В случае если высота всех стенок больше максимально допустимой



Добавьте разницу превышения максимальной высоты (соответствует «h1» – «h3» на рис.) к L1, L2 и L3, как указано в таблице ниже.

| | Требуемое минимальное расстояние [мм (д.)] | | |
|--|--|------------------------------|-------------------|
| | L1 (спереди) | L2 (сзади) | L3 (справа/слева) |
| В случае если расстояние за блоком (L2) должно быть небольшим | $450 (17\text{-}3/4) + h1$ | $100 (3\text{-}15/16) + h2$ | $50 (2) + h3$ |
| В случае если расстояние справа или слева (L3) должно быть небольшим | $450 (17\text{-}3/4) + h1$ | $300 (11\text{-}13/16) + h2$ | $15 (5/8) + h3$ |

(3) При наличии препятствий над блоком

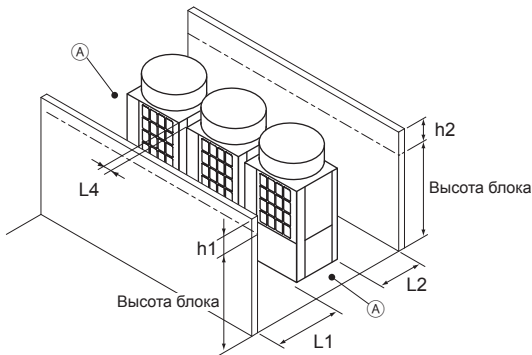


7-2. Установка нескольких блоков

- При установке нескольких блоков учтите такие факторы, как обеспечение достаточного пространства для прохода людей, обеспечение достаточного пространства между блоками, а также достаточного пространства для воздухообмена. (Зоны, отмеченные знаком **A** на рисунках должны оставаться открытыми.)
- Аналогичным способом, как и при монтаже одного блока, добавьте разницу превышения максимальной высоты (соответствует «h1» – «h3» на рис.) к L1, L2 и L3, как указано в таблицах ниже.
- Если стены имеются спереди и сзади блока, последовательно установите до шести блоков (три блока: P450 – P500) в ряд и оставьте расстояние не менее 1000 мм (39-3/8 д.) между каждым блоком.
- Если количество дренажной воды слишком большое, при выполнении операции обогрева она поступает из внешнего блока вдоль панели.

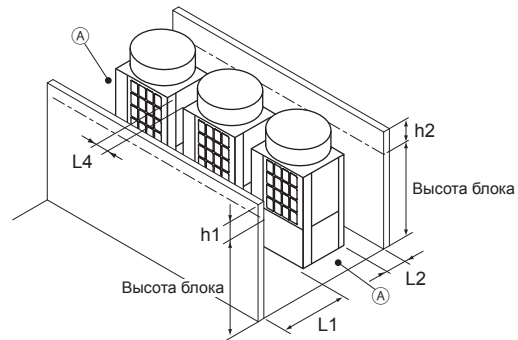
(1) Установка в ряд

В случае если расстояние между блоками (L4) должно быть небольшим



| Требуемое минимальное расстояние [мм (д.)] | | |
|--|------------------------------|----------------------|
| L1 (спереди) | L2 (сзади) | L4 (между) |
| $450 (17\text{-}3/4) + h1$ | $300 (11\text{-}13/16) + h2$ | $30 (1\text{-}3/16)$ |

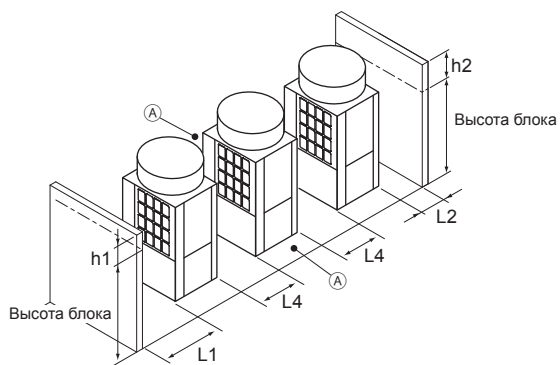
В случае если расстояние за группой блоков (L2) должно быть небольшим



| Требуемое минимальное расстояние [мм (д.)] | | |
|--|-----------------------------|------------------------|
| L1 (спереди) | L2 (сзади) | L4 (между) |
| $450 (17\text{-}3/4) + h1$ | $100 (3\text{-}15/16) + h2$ | $100 (3\text{-}15/16)$ |

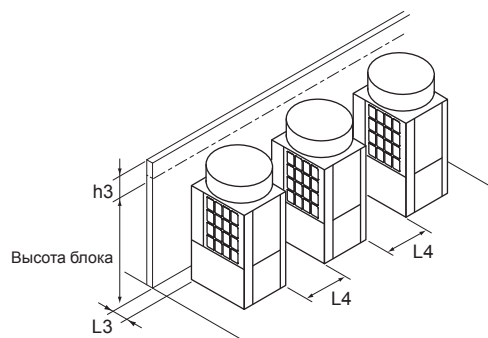
(2) Установка торец к торцу

При наличии стен спереди и сзади группы блоков



| Требуемое минимальное расстояние [мм (д.)] | | |
|--|--------------------|--------------|
| L1 (спереди) | L2 (сзади) | L4 (между) |
| 450 (17-3/4) + h1 | 100 (3-15/16) + h2 | 450 (17-3/4) |

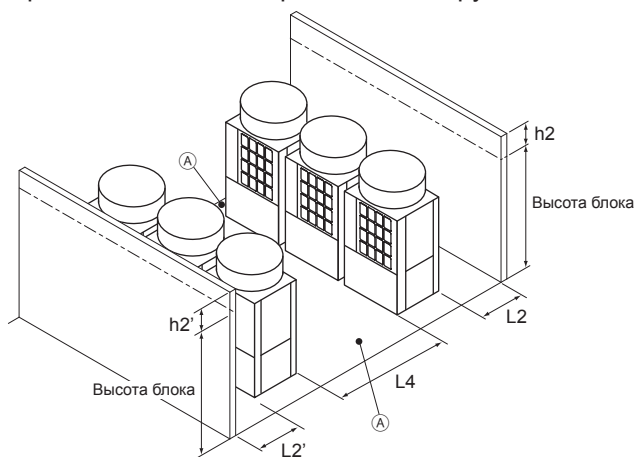
При наличии стены справа или слева от группы блоков



| Требуемое минимальное расстояние [мм (д.)] | |
|--|--------------|
| L3 (справа/слева) | L4 (между) |
| 15 (5/8) + h3 | 450 (17-3/4) |

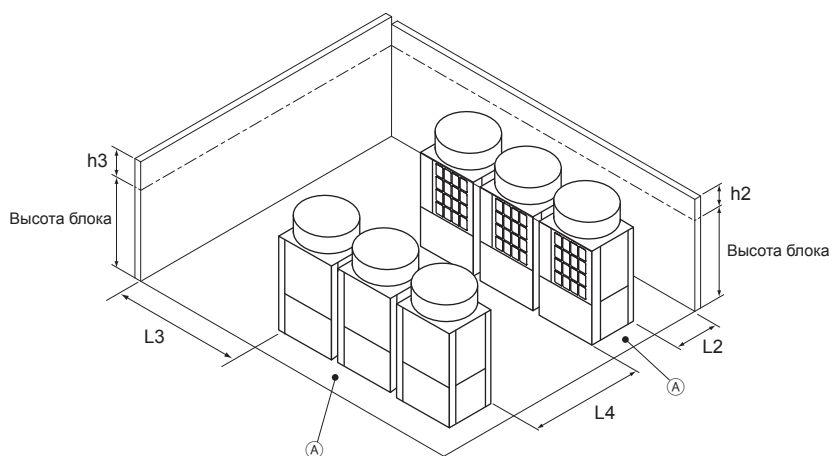
(3) Комбинация установки торец к торцу и установки в ряд

При наличии стен спереди и сзади группы блоков



| Требуемое минимальное расстояние [мм (д.)] | | |
|--|----------------------|---------------|
| L2 (сзади) | L2' (сзади) | L4 (между) |
| 300 (11-13/16) + h2 | 300 (11-13/16) + h2' | 900 (35-7/16) |

При наличии двух стен Г-образной формы



| Требуемое минимальное расстояние [мм (д.)] | | |
|--|--------------------|---------------|
| L2 (сзади) | L3 (справа/слева) | L4 (между) |
| 300 (11-13/16) + h2 | 1000 (39-3/8) + h3 | 900 (35-7/16) |

Ⓐ Оставьте открытым с двух сторон.

8. Установка основания

! ПРЕДОСТЕРЕЖЕНИЕ

Монтируйте оборудование согласно инструкциям с целью снижения риска повреждения при землетрясениях и сильных ветрах.

- Неправильный монтаж может привести к падению оборудования и травмированию людей.

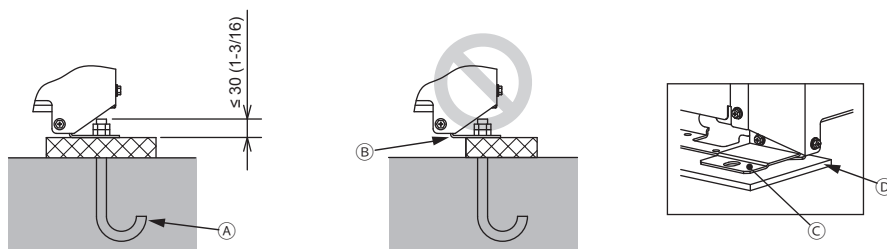
Блок должен быть надежно закреплен при монтаже на основании, которое способно выдержать вес конструкции.

- Невыполнение данного условия может привести к падению блока и травмированию людей.

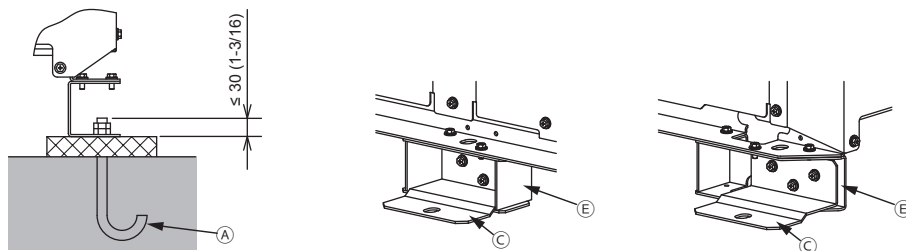
- При установке основания убедитесь, что поверхность пола способна выдерживать достаточную нагрузку, аккуратно проведите трубы и провода с учетом дренажа воды, который потребуется в процессе работы блока.
- При прокладке труб и электропроводки под блоком основание должно иметь высоту минимум 100 мм (3-15/16 д.) во избежание блокировки сквозных отверстий основания.
- Установите прочное бетонное основание или установите угловые профили. При использовании стального основания изолируйте поверхность основания, на которую устанавливается наружный блок, положив на нее резиновую прокладку или электроизоляционную прокладку во избежание ржавления основания.
- Установите блок на ровную поверхность.
- При некоторых способах установки вибрация и шум блока будут распространяться на этажи и пол. В подобных случаях примите соответствующие меры по устранению вибрации (используйте антивибрационную резиновую подкладку).

[мм (д.)]

(1) Без съемной ножки



(2) Со съемной ножкой

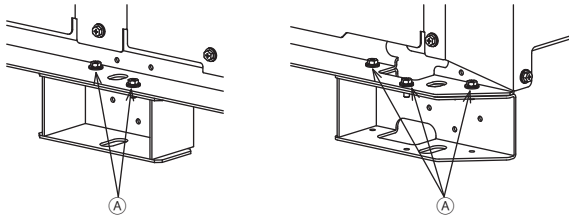


- А Анкерный болт M10 (не поставляется в комплекте)
- В (Неправильная установка) Угловая секция ненадежно закреплена.
- С Крепежный кронштейн для анкерных болтов, установленных после возведения основания (не поставляется в комплекте) (должен быть закреплен тремя винтами)
- Д Антивибрационная резиновая прокладка (прокладки должны быть достаточно большими чтобы закрывать всю ширину каждой ножки блока).
- Е Съемная ножка

- Надежно закрепите угловую секцию. Если этого не сделать, ножки блока могут согнуться.
- Длина выступающей части анкерного болта не должна превышать 30 мм (1-3/16 д.).
- Данный блок не предназначен для крепления с помощью анкерных болтов, установленных после возведения основания, если фиксирующие кронштейны не установлены в четырех местах основания (шесть мест для блоков (E)P500).

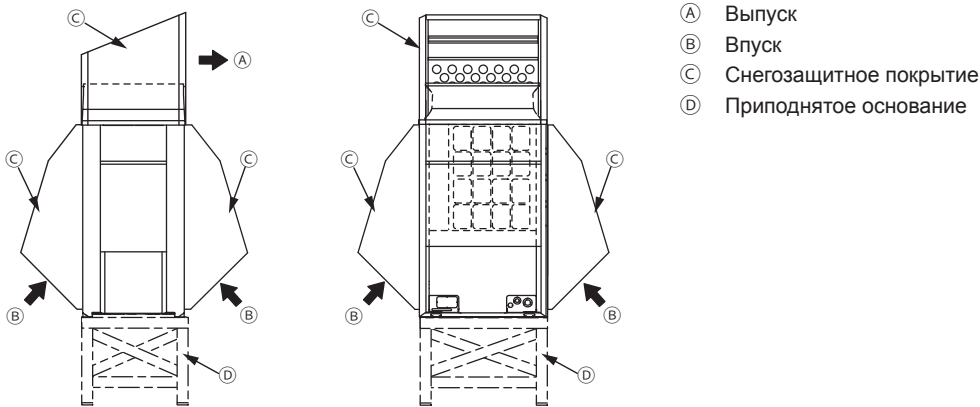
- Для отсоединения съемных ножек отвинтите винты, обозначенные на рис. ниже. Если окраска ножки блока повреждена при отсоединении ножки, ее следует сразу же восстановить.

(A) Винты



- Для обеспечения надлежащей работы блока в жестких атмосферных условиях, например в местах с низкой температурой или сильным ветром, следует принять меры по защите блока от сильного ветра и снега. Если блок будет работать при температуре ниже 10 °C (50 °F), в заснеженных местах, местах с сильными ветрами или дождями, установите снегозащитные покрытия соответствующих размеров (не поставляются в комплекте), как показано на рис. ниже.

Материал: оцинкованная стальная пластина 1,2Т
 Окраска: полная окраска полиэфирным порошком
 Цвет: Munsell 3,0Y 7,8/1,1 (аналогично цвету блока)
 Размеры: См. технические характеристики в Data Book.



- Установите блок так, чтобы ветер не задувал в отверстия впускных и выпускных каналов.
- При необходимости установите блок на приподнятом основании соответствующих размеров (не поставляется в комплекте) во избежание повреждения снегом.

Материал: Угловой профиль (установите такую конструкцию, через которую снег и ветер могут беспрепятственно проходить).

Высота: Максимальная высота снежного покрова + 200 мм (7-7/8 д.)

Ширина: В соответствии с шириной блока (если приподнятое основание будет слишком широким, снег будет скапливаться по краям).

- Если блок будет использоваться в месте с низкой температурой и работать в режиме обогрева продолжительное время, когда температура внешнего воздуха будет ниже температуры замерзания, установите обогреватель в приподнятом основании блока или примите другие надлежащие меры для предотвращения замерзания.
- При установке панельного обогревателя обеспечьте достаточное пространство для надлежащего технического обслуживания. Подробнее см. Data Book или руководство по монтажу панельного обогревателя.

9. Прокладка труб хладагента

П Р Е Д О С Т Е Р Е Ж Е Н И Е

Не используйте хладагент другого типа, кроме указанного в руководствах из комплекта поставки блока и на паспортной табличке.

- Это может повлечь за собой прорыв трубопроводов или блока либо стать причиной взрыва или возгорания в процессе эксплуатации, ремонта или утилизации блока.
- Также это может нарушать действующее законодательство.
- MITSUBISHI ELECTRIC CORPORATION не несет ответственности за неисправности или несчастные случаи, причиной которых стало использование хладагента неподходящего типа.

По завершении установки проверьте, нет ли утечки хладагента.

- Утечка хладагента может вызвать дефицит кислорода. При контакте газа с источником тепла образуется токсичный газ.

В Н И М А Н И Е

При работе с оборудованием носите защитные перчатки.

- В противном случае это может привести к травмам.
- Если во время работы блока коснуться труб высокого давления голыми руками, это может привести к получению ожогов.

В Н И М А Н И Е

Используйте только специально предназначенные для конкретного хладагента инструменты: штуцер манометра, заправочный шланг, течеискатель, обратный клапан, заправочное основание, оборудование для восстановления хладагента.

- Течеискатели, используемые для работы с обычными хладагентами, неприменимы к хладагентам, которые не содержат хлор.
- При смеси хладагента с водой, холодильным маслом или другим хладагентом, эксплуатационные качества холодильного масла снизятся, что приведет к повреждению компрессора.

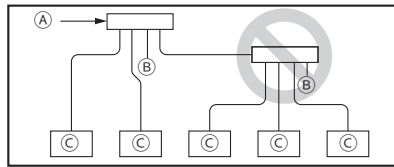
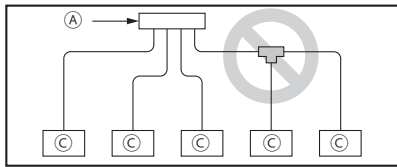
Не используйте имеющиеся трубы хладагента.

- Использование старых труб хладагента и старого холодильного масла, содержащих большое количество хлора, может привести к ухудшению эксплуатационных качеств холодильного масла и последующему повреждению компрессора.

9-1. Ограничения

- Существующие трубы не могут быть использованы по причине более высокого рабочего давления в системах, использующих R410A, в отличие от других систем.
- Не устанавливайте трубопровод наружного блока во время дождя.
- Для мытья труб не используйте специальные моющие средства.
- Соблюдайте ограничения по длине труб холодильного контура (длина, разница высоты, диаметр трубки и расстояние вертикального разделения) во избежание повреждения оборудования или снижения характеристик охлаждения и обогрева.
- Чтобы предотвратить обратный поток масла и сбой при запуске компрессора, не устанавливайте электромагнитные клапаны.
- Не устанавливайте смотровое стекло, так как оно может показать ненадлежащий поток хладагента. Неопытные техники могут зарядить систему с избыточным количеством хладагента, если будут использовать смотровое стекло.

- Ответвления нельзя выполнять после разветвителя коллектора.



- Ⓐ Из наружного блока
- Ⓑ Крышка
- Ⓒ Внутренний блок

- Трубы, выходящие из нескольких наружных блоков, должны быть установлены так, чтобы масло не скапливалось в них при определенных условиях. Для получения дополнительной информации см. рис. ниже.

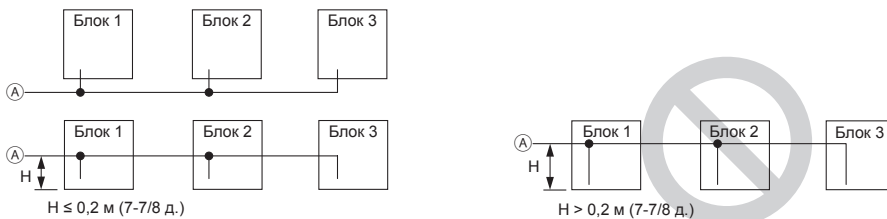
* Небольшие точки на рисунке соответствуют точкам разветвления.

- Ⓐ К внутренним блокам

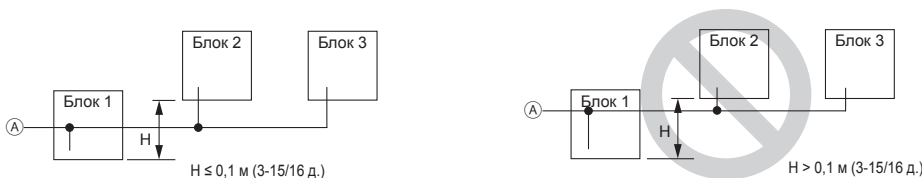
- (1) Трубы, выходящие из наружных блоков, должны быть наклонены вниз, по направлению к внутреннему блоку. На рис. справа представлена ситуация, в которой по причине наклона вверх в трубе скапливается масло во время работы блока 1 и остановки блока 3.



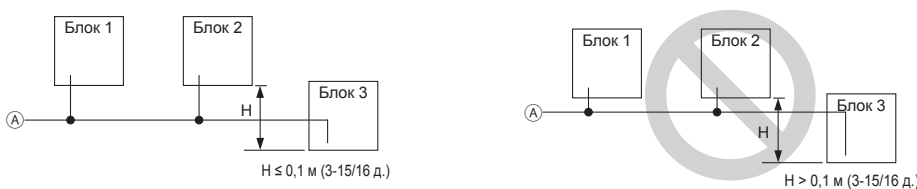
- (2) Расстояние между нижней частью устройства и трубкой (H) должно составлять не более 0,2 м (7-7/8 д.). На рис. справа представлена ситуация, в которой по причине превышения расстояние более чем на 0,2 м (7-7/8 д.) в остановленных блоках 1 и 2 скапливается масло во время работы блока 3.



- (3) Вертикальное расстояние между блоками (H) не должно превышать 0,1 м (3-15/16 д.). На рис. справа представлена ситуация, в которой по причине превышения расстояние более чем на 0,1 м (3-15/16 д.) в остановленном блоке 1 скапливается масло во время работы блока 3.

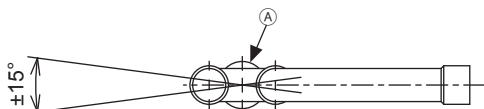


- (4) Вертикальное расстояние между блоками (H) не должно превышать 0,1 м (3-15/16 д.). На рис. справа представлена ситуация, в которой по причине превышения расстояние более чем на 0,1 м (3-15/16 д.) в остановленном блоке 3 скапливается масло во время работы блока 1.

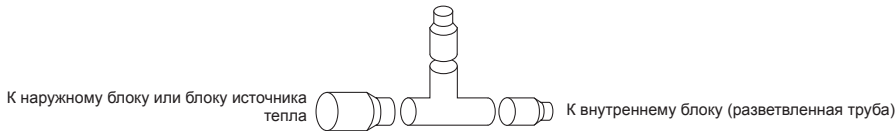


- Не превышайте допустимое значение наклона блока «двойник-разветвитель» ($\pm 15^\circ$) по направлению к основанию во избежание повреждения блока.

- Ⓐ Двойник-разветвитель



- Ограничения на установку двойника-разветвителя для внутреннего блока CMY-Y202S-G2 или CMY-Y302S-G2 на газопровод

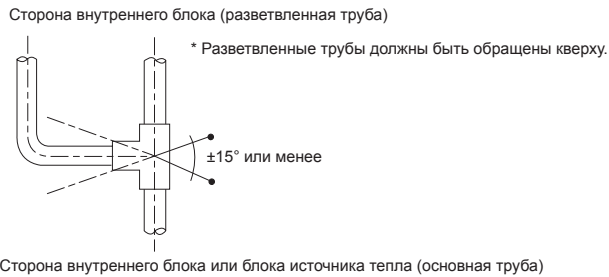


- Двойник-разветвитель для внутреннего блока на газопроводе должен устанавливаться горизонтально (как показано на иллюстрации слева внизу) или, для разветвленных труб, обращенным кверху (как показано на иллюстрации справа внизу).
- Если размер хладагентных трубок, выбранный согласно инструкции в разделе 9-4, не соответствует размеру двойника-разветвителя для внутреннего блока, используйте для их подключения переходник. Переходник включен в комплект двойника-разветвителя для внутреннего блока.

Горизонтальная установка



Вертикальная установка



- В случае если длина трубы между точкой разветвления и наружным блоком превышает 2 м (6 фут.), установите сепаратор в пределах 2 м (6 фут.) от точки разветвления. Высота сепаратора должна составлять минимум 200 мм (7-7/8 д.). (только для трубы газообразного хладагента) В случае отсутствия сепаратора масло может скапливаться в трубе, что приведет к недостатку масла и может повредить компрессор.

* Небольшие точки на рисунке соответствуют точкам разветвления.



- (A) К внутренним блокам
- (B) Сепаратор (только для трубы газообразного хладагента)
- (C) Труба газообразного хладагента

9-2. Выбор трубы

ВНИМАНИЕ

Используйте трубы из раскисленной фосфором меди (бесшовные трубы, выполненные из латуни), соответствующие требованиям местных законодательств. Трубные соединения должны также соответствовать требованиям местных законодательств. Внутренняя и внешняя поверхность труб должна быть чистой, без частиц серы, окисей, пыли, грязи, частиц стружки, масел, влаги или других загрязнений.

- Загрязнение внутренней поверхности труб хладагента может вызвать ухудшение качества холодильного масла, что впоследствии может привести к повреждению компрессора.

Устанавливайте трубы, предназначенные для использования в системе с хладагентом типа R410A. Не используйте трубы, предназначенные для иных видов хладагента.

Используйте трубы для хладагента, имеющие толщину, указанную в таблице ниже.

| Размер [мм (д.)] | Радиальная толщина [мм (д.)] | Тип |
|------------------|------------------------------|----------------|
| ø6,35 (ø1/4) | 0,8 (32) | Тип O |
| ø9,52 (ø3/8) | 0,8 (32) | Тип O |
| ø12,7 (ø1/2) | 0,8 (32) | Тип O |
| ø15,88 (ø5/8) | 1,0 (40) | Тип O |
| ø19,05 (ø3/4) | 1,2 (48) | Тип O |
| | 1,0 (40) | Тип 1/2H или H |
| ø22,2 (ø7/8) | 1,0 (40) | Тип 1/2H или H |
| ø25,4 (ø1) | 1,0 (40) | Тип 1/2H или H |
| ø28,58 (ø1-1/8) | 1,0 (40) | Тип 1/2H или H |
| ø31,75 (ø1-1/4) | 1,1 (44) | Тип 1/2H или H |
| ø34,93 (ø1-3/8) | 1,2 (48) | Тип 1/2H или H |
| ø41,28 (ø1-5/8) | 1,4 (56) | Тип 1/2H или H |

9-3. Выбор двойника-разветвителя

9-3-1. Двойник-разветвитель для внутреннего блока

Выберите соответствующий двойник-разветвитель для внутреннего блока (продается отдельно) в зависимости от совокупной мощности внутреннего блока, в качестве справочного материала используйте таблицу ниже.

Разветвитель трубы

| Общая емкость внутренних блоков | Модель комплекта |
|---------------------------------|------------------|
| 200 или ниже | СМУ-Y102SS-G2 |
| 201 – 400 | СМУ-Y102LS-G2 |
| 401 – 650 | СМУ-Y202S-G2 |
| 651 или выше | СМУ-Y302S-G2 |

Разветвитель трубы для 1-й точки разветвления

| Модели наружных блоков | Модель комплекта |
|------------------------|------------------|
| P450 – P650 | СМУ-Y202S-G2 |
| P700 – P1350 | СМУ-Y302S-G2 |

Разветвитель коллектора

| Общая емкость внутренних блоков | Количество разветвителей | Модель комплекта |
|---------------------------------|--------------------------|------------------|
| 200 или ниже | 4 | СМУ-Y104-G |
| 400 или ниже | 8 | СМУ-Y108-G |
| 650 или ниже | 10 | СМУ-Y1010-G |

* При необходимости используйте адаптер для подключения хладагентной трубки к разветвителю-двойнику иного диаметра.

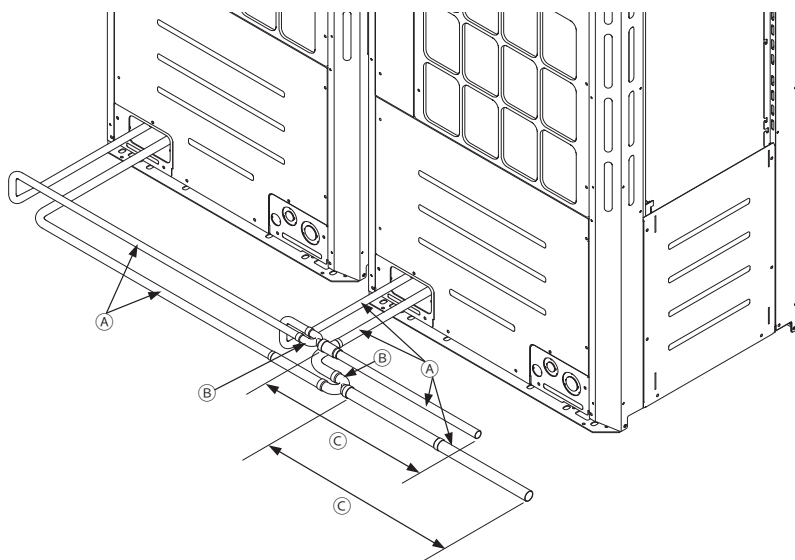
9-3-2. Двойник-разветвитель для наружного блока

Выберите соответствующий двойник-разветвитель для наружного блока (продается отдельно) в зависимости от совокупной мощности наружного блока, в качестве справочного материала используйте таблицу ниже.

| Общая емкость наружных блоков | Модель комплекта | Общая емкость наружных блоков | Модель комплекта |
|-------------------------------|------------------|-------------------------------|------------------|
| P400 – P650 | СМУ-Y100VBK3 | EP550 – EP650 | СМУ-Y100VBK3 |
| P700 – P900 | СМУ-Y200VBK2 | EP700 – EP900 | СМУ-Y200VBK2 |
| P950 – P1350 | СМУ-Y300VBK3 | EP950 – EP1350 | СМУ-Y300VBK3 |

9-4. Пример соединения труб

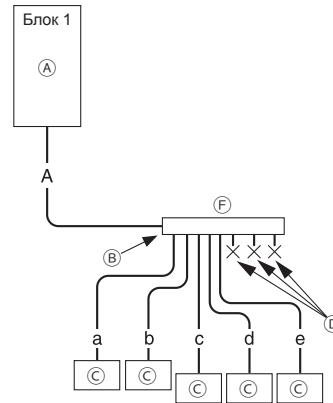
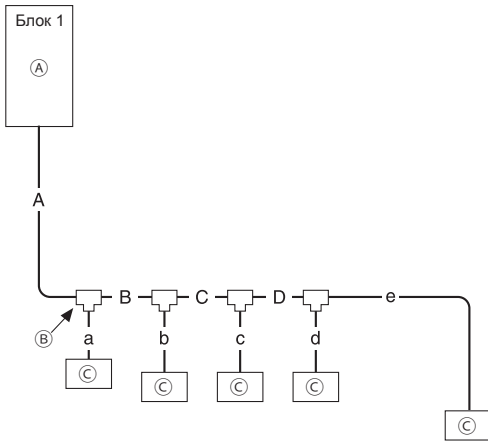
- Пример трубного соединения между наружными блоками



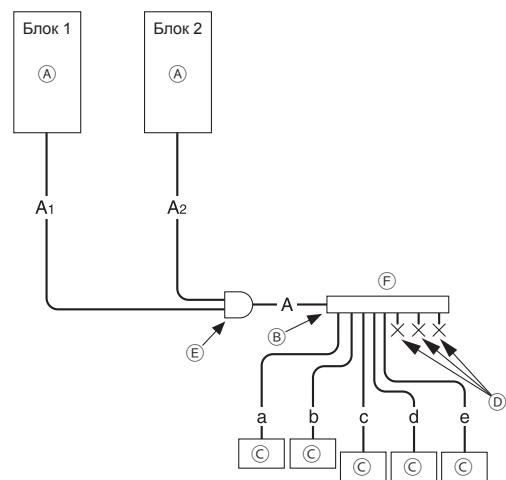
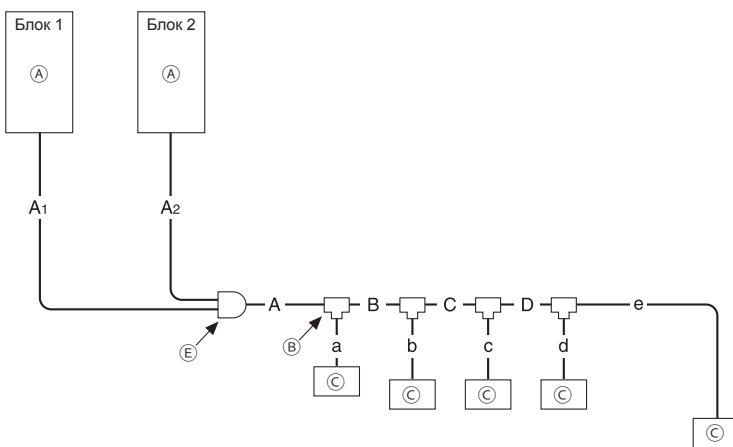
- Ⓐ Трубы, прокладываемые на месте установки
- Ⓑ Двойник-разветвитель
- Ⓒ Трубная секция, размещаемая перед разветвителем-двойником, должна иметь длину не менее 500 мм (19-11/16 д.).

• Пример трубного соединения между наружными блоками и внутренними блоками

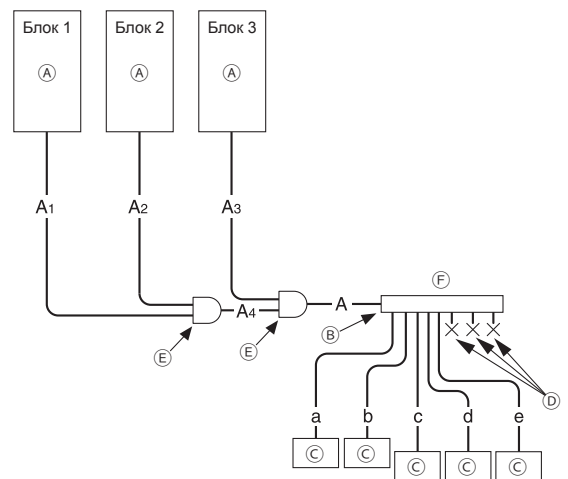
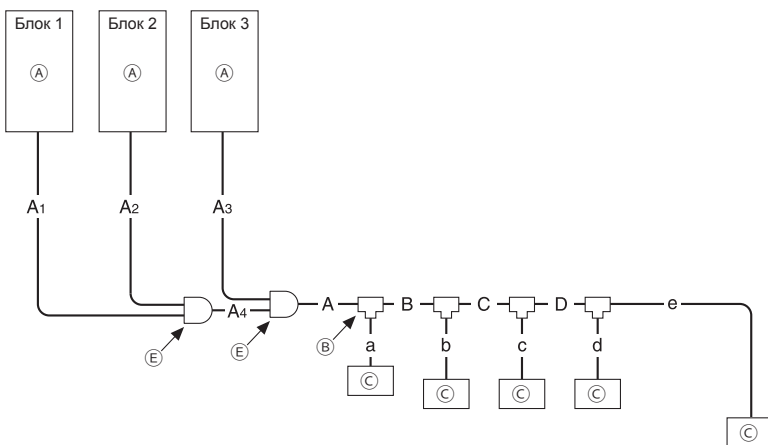
От P200 до P500YNW-A
От EP200 до EP500YNW-A



От P400 до P900YSNW-A
От EP550 до EP900YSNW-A



От P950 до P1350YSNW-A
От EP950 до EP1350YSNW-A



- (A) Наружный блок
 - (B) 1-е ответвление
 - (C) Внутренний блок
 - (D) Крышка
 - (E) Двойник-разветвитель для наружного блока
 - (F) Разветвитель коллектора
- * Общая длина A1, A2, A3 и A4 менее 10 м (32 фут.).

(1) Модели Р

Трубы А, А₁, А₂, А₃, А₄

[мм]

| Модель блока | Комбинационный блок | | | Труба А | | Труба А ₁ * ³ | | Труба А ₂ * ³ | | Труба А ₃ * ³ | | Труба А ₄ | |
|--------------|---------------------|--------|--------|----------------------|------------------------|-------------------------------------|------------------------|-------------------------------------|------------------------|-------------------------------------|------------------------|----------------------|------------------------|
| | Блок 1 | Блок 2 | Блок 3 | Жидкий хладагент | Газообразный хладагент | Жидкий хладагент | Газообразный хладагент | Жидкий хладагент | Газообразный хладагент | Жидкий хладагент | Газообразный хладагент | Жидкий хладагент | Газообразный хладагент |
| P200YNW-A | - | - | - | ø9,52 | ø22,2 | - | - | - | - | - | - | - | - |
| P250YNW-A | - | - | - | ø9,52 * ¹ | ø22,2 | - | - | - | - | - | - | - | - |
| P300YNW-A | - | - | - | ø9,52 * ² | ø22,2 | - | - | - | - | - | - | - | - |
| P350YNW-A | - | - | - | ø12,7 | ø28,58 | - | - | - | - | - | - | - | - |
| P400YNW-A | - | - | - | ø12,7 | ø28,58 | - | - | - | - | - | - | - | - |
| P450YNW-A | - | - | - | ø15,88 | ø28,58 | - | - | - | - | - | - | - | - |
| P500YNW-A | - | - | - | ø15,88 | ø28,58 | - | - | - | - | - | - | - | - |
| P400YSNW-A | P200 | P200 | - | ø12,7 | ø28,58 | ø9,52 | ø22,2 | ø9,52 | ø22,2 | - | - | - | - |
| P450YSNW-A | P250 | P200 | - | ø15,88 | ø28,58 | ø9,52 | ø22,2 | ø9,52 | ø22,2 | - | - | - | - |
| P500YSNW-A | P250 | P250 | - | ø15,88 | ø28,58 | ø9,52 | ø22,2 | ø9,52 | ø22,2 | - | - | - | - |
| P550YSNW-A | P300 | P250 | - | ø15,88 | ø28,58 | ø12,7 | ø28,58 | ø9,52 | ø22,2 | - | - | - | - |
| P600YSNW-A | P300 | P300 | - | ø15,88 | ø28,58 | ø12,7 | ø28,58 | ø12,7 | ø28,58 | - | - | - | - |
| P650YSNW-A | P400 | P250 | - | ø15,88 | ø28,58 | ø12,7 | ø28,58 | ø9,52 | ø22,2 | - | - | - | - |
| P700YSNW-A | P350 | P350 | - | ø19,05 | ø34,93 | ø12,7 | ø28,58 | ø12,7 | ø28,58 | - | - | - | - |
| P750YSNW-A | P400 | P350 | - | ø19,05 | ø34,93 | ø15,88 | ø28,58 | ø12,7 | ø28,58 | - | - | - | - |
| P800YSNW-A | P450 | P350 | - | ø19,05 | ø34,93 | ø15,88 | ø28,58 | ø12,7 | ø28,58 | - | - | - | - |
| P850YSNW-A | P450 | P400 | - | ø19,05 | ø41,28 | ø15,88 | ø28,58 | ø15,88 | ø28,58 | - | - | - | - |
| P900YSNW-A | P450 | P450 | - | ø19,05 | ø41,28 | ø15,88 | ø28,58 | ø15,88 | ø28,58 | - | - | - | - |
| P950YSNW-A | P350 | P350 | P250 | ø19,05 | ø41,28 | ø12,7 | ø28,58 | ø12,7 | ø28,58 | ø9,52 | ø22,2 | ø19,05 | ø34,93 |
| P1000YSNW-A | P400 | P350 | P250 | ø19,05 | ø41,28 | ø15,88 | ø28,58 | ø12,7 | ø28,58 | ø9,52 | ø22,2 | ø19,05 | ø34,93 |
| P1050YSNW-A | P400 | P400 | P250 | ø19,05 | ø41,28 | ø15,88 | ø28,58 | ø15,88 | ø28,58 | ø9,52 | ø22,2 | ø19,05 | ø34,93 |
| P1100YSNW-A | P400 | P350 | P350 | ø19,05 | ø41,28 | ø15,88 | ø28,58 | ø12,7 | ø28,58 | ø12,7 | ø28,58 | ø19,05 | ø34,93 |
| P1150YSNW-A | P400 | P400 | P350 | ø19,05 | ø41,28 | ø15,88 | ø28,58 | ø15,88 | ø28,58 | ø12,7 | ø28,58 | ø19,05 | ø34,93 |
| P1200YSNW-A | P400 | P400 | P400 | ø19,05 | ø41,28 | ø15,88 | ø28,58 | ø15,88 | ø28,58 | ø15,88 | ø28,58 | ø19,05 | ø34,93 |
| P1250YSNW-A | P450 | P400 | P400 | ø19,05 | ø41,28 | ø15,88 | ø28,58 | ø15,88 | ø28,58 | ø15,88 | ø28,58 | ø19,05 | ø34,93 |
| P1300YSNW-A | P450 | P450 | P400 | ø19,05 | ø41,28 | ø15,88 | ø28,58 | ø15,88 | ø28,58 | ø15,88 | ø28,58 | ø19,05 | ø34,93 |
| P1350YSNW-A | P450 | P450 | P450 | ø19,05 | ø41,28 | ø15,88 | ø28,58 | ø15,88 | ø28,58 | ø15,88 | ø28,58 | ø19,05 | ø34,93 |

Трубы А, А₁, А₂, А₃, А₄

[д.]

| Модель блока | Комбинационный блок | | | Труба А | | Труба А ₁ * ³ | | Труба А ₂ * ³ | | Труба А ₃ * ³ | | Труба А ₄ | |
|--------------|---------------------|--------|--------|---------------------|------------------------|-------------------------------------|------------------------|-------------------------------------|------------------------|-------------------------------------|------------------------|----------------------|------------------------|
| | Блок 1 | Блок 2 | Блок 3 | Жидкий хладагент | Газообразный хладагент | Жидкий хладагент | Газообразный хладагент | Жидкий хладагент | Газообразный хладагент | Жидкий хладагент | Газообразный хладагент | Жидкий хладагент | Газообразный хладагент |
| P200YNW-A | - | - | - | ø3/8 | ø7/8 | - | - | - | - | - | - | - | - |
| P250YNW-A | - | - | - | ø3/8 * ¹ | ø7/8 | - | - | - | - | - | - | - | - |
| P300YNW-A | - | - | - | ø3/8 * ² | ø7/8 | - | - | - | - | - | - | - | - |
| P350YNW-A | - | - | - | ø1/2 | ø1-1/8 | - | - | - | - | - | - | - | - |
| P400YNW-A | - | - | - | ø1/2 | ø1-1/8 | - | - | - | - | - | - | - | - |
| P450YNW-A | - | - | - | ø5/8 | ø1-1/8 | - | - | - | - | - | - | - | - |
| P500YNW-A | - | - | - | ø5/8 | ø1-1/8 | - | - | - | - | - | - | - | - |
| P400YSNW-A | P200 | P200 | - | ø1/2 | ø1-1/8 | ø3/8 | ø7/8 | ø3/8 | ø7/8 | - | - | - | - |
| P450YSNW-A | P250 | P200 | - | ø5/8 | ø1-1/8 | ø3/8 | ø7/8 | ø3/8 | ø7/8 | - | - | - | - |
| P500YSNW-A | P250 | P250 | - | ø5/8 | ø1-1/8 | ø3/8 | ø7/8 | ø3/8 | ø7/8 | - | - | - | - |
| P550YSNW-A | P300 | P250 | - | ø5/8 | ø1-1/8 | ø1/2 | ø1-1/8 | ø3/8 | ø7/8 | - | - | - | - |
| P600YSNW-A | P300 | P300 | - | ø5/8 | ø1-1/8 | ø1/2 | ø1-1/8 | ø1/2 | ø1-1/8 | - | - | - | - |
| P650YSNW-A | P400 | P250 | - | ø5/8 | ø1-1/8 | ø1/2 | ø1-1/8 | ø3/8 | ø7/8 | - | - | - | - |
| P700YSNW-A | P350 | P350 | - | ø3/4 | ø1-3/8 | ø1/2 | ø1-1/8 | ø1/2 | ø1-1/8 | - | - | - | - |
| P750YSNW-A | P400 | P350 | - | ø3/4 | ø1-3/8 | ø5/8 | ø1-1/8 | ø1/2 | ø1-1/8 | - | - | - | - |
| P800YSNW-A | P450 | P350 | - | ø3/4 | ø1-3/8 | ø5/8 | ø1-1/8 | ø1/2 | ø1-1/8 | - | - | - | - |
| P850YSNW-A | P450 | P400 | - | ø3/4 | ø1-5/8 | ø5/8 | ø1-1/8 | ø5/8 | ø1-1/8 | - | - | - | - |
| P900YSNW-A | P450 | P450 | - | ø3/4 | ø1-5/8 | ø5/8 | ø1-1/8 | ø5/8 | ø1-1/8 | - | - | - | - |
| P950YSNW-A | P350 | P350 | P250 | ø3/4 | ø1-5/8 | ø1/2 | ø1-1/8 | ø1/2 | ø1-1/8 | ø3/8 | ø7/8 | ø3/4 | ø1-3/8 |
| P1000YSNW-A | P400 | P350 | P250 | ø3/4 | ø1-5/8 | ø5/8 | ø1-1/8 | ø1/2 | ø1-1/8 | ø3/8 | ø7/8 | ø3/4 | ø1-3/8 |
| P1050YSNW-A | P400 | P400 | P250 | ø3/4 | ø1-5/8 | ø5/8 | ø1-1/8 | ø5/8 | ø1-1/8 | ø3/8 | ø7/8 | ø3/4 | ø1-3/8 |
| P1100YSNW-A | P400 | P350 | P350 | ø3/4 | ø1-5/8 | ø5/8 | ø1-1/8 | ø1/2 | ø1-1/8 | ø1/2 | ø1-1/8 | ø3/4 | ø1-3/8 |
| P1150YSNW-A | P400 | P400 | P350 | ø3/4 | ø1-5/8 | ø5/8 | ø1-1/8 | ø5/8 | ø1-1/8 | ø1/2 | ø1-1/8 | ø3/4 | ø1-3/8 |
| P1200YSNW-A | P400 | P400 | P400 | ø3/4 | ø1-5/8 | ø5/8 | ø1-1/8 | ø5/8 | ø1-1/8 | ø5/8 | ø1-1/8 | ø3/4 | ø1-3/8 |
| P1250YSNW-A | P450 | P400 | P400 | ø3/4 | ø1-5/8 | ø5/8 | ø1-1/8 | ø5/8 | ø1-1/8 | ø5/8 | ø1-1/8 | ø3/4 | ø1-3/8 |
| P1300YSNW-A | P450 | P450 | P400 | ø3/4 | ø1-5/8 | ø5/8 | ø1-1/8 | ø5/8 | ø1-1/8 | ø5/8 | ø1-1/8 | ø3/4 | ø1-3/8 |
| P1350YSNW-A | P450 | P450 | P450 | ø3/4 | ø1-5/8 | ø5/8 | ø1-1/8 | ø5/8 | ø1-1/8 | ø5/8 | ø1-1/8 | ø3/4 | ø1-3/8 |

*1 Используйте трубу диаметром ø12,7 (ø1/2) в случае если длина трубы от наружного блока до самого дальнего внутреннего блока составляет 90 м (295 фут.) или более.

*2 Используйте трубу диаметром ø12,7 (ø1/2) в случае если длина трубы от наружного блока до самого дальнего внутреннего блока составляет 40 м (131 фут.) или более.

*3 Если комбинационные блоки 1, 2 и 3 расположены в разной последовательности, как указано в таблице, используйте в этом случае

трубы соответствующей длины.

*4 Если длина трубы после первой точки соединения превышает 40 м (131 фут.) (≤ 90 м (295 фут.)), используйте трубу жидкого хладагента на один размер больше для всех труб, отходящих от внутреннего блока и направленных к первой точке разветвления.

*5 Если разница высот внутренних блоков составляет 15 м (49 фут.) (≤ 30 м (98 фут.)), используйте для нижнего внутреннего блока трубу жидкого хладагента на один размер больше, направленную от блока к первой точке разветвления.

(2) Модели EP

Трубы A, A₁, A₂, A₃, A₄

[мм]

| Модель блока | Комбинационный блок | | | Труба A | | Труба A ₁ *3 | | Труба A ₂ *3 | | Труба A ₃ *3 | | Труба A ₄ | |
|--------------|---------------------|--------|--------|------------------|------------------------|-------------------------|------------------------|-------------------------|------------------------|-------------------------|------------------------|----------------------|------------------------|
| | Блок 1 | Блок 2 | Блок 3 | Жидкий хладагент | Газообразный хладагент | Жидкий хладагент | Газообразный хладагент | Жидкий хладагент | Газообразный хладагент | Жидкий хладагент | Газообразный хладагент | Жидкий хладагент | Газообразный хладагент |
| EP200YNW-A | - | - | - | ø9,52 | ø22,2 | - | - | - | - | - | - | - | - |
| EP250YNW-A | - | - | - | ø9,52 *1 | ø22,2 | - | - | - | - | - | - | - | - |
| EP300YNW-A | - | - | - | ø9,52 *2 | ø28,58 | - | - | - | - | - | - | - | - |
| EP350YNW-A | - | - | - | ø12,7 | ø28,58 | - | - | - | - | - | - | - | - |
| EP400YNW-A | - | - | - | ø12,7 | ø28,58 | - | - | - | - | - | - | - | - |
| EP450YNW-A | - | - | - | ø15,88 | ø28,58 | - | - | - | - | - | - | - | - |
| EP500YNW-A | - | - | - | ø15,88 | ø28,58 | - | - | - | - | - | - | - | - |
| EP400YSNW-A | EP200 | EP200 | - | ø12,7 | ø28,58 | ø9,52 | ø22,2 | ø9,52 | ø22,2 | - | - | - | - |
| EP450YSNW-A | EP250 | EP200 | - | ø15,88 | ø28,58 | ø9,52 | ø22,2 | ø9,52 | ø22,2 | - | - | - | - |
| EP500YSNW-A | EP250 | EP250 | - | ø15,88 | ø28,58 | ø9,52 | ø22,2 | ø9,52 | ø22,2 | - | - | - | - |
| EP550YSNW-A | EP300 | EP250 | - | ø15,88 | ø28,58 | ø12,7 | ø28,58 | ø9,52 | ø22,2 | - | - | - | - |
| EP600YSNW-A | EP300 | EP300 | - | ø15,88 | ø28,58 | ø12,7 | ø28,58 | ø12,7 | ø28,58 | - | - | - | - |
| EP650YSNW-A | EP400 | EP250 | - | ø15,88 | ø28,58 | ø12,7 | ø28,58 | ø9,52 | ø22,2 | - | - | - | - |
| EP700YSNW-A | EP350 | EP350 | - | ø19,05 | ø34,93 | ø12,7 | ø28,58 | ø12,7 | ø28,58 | - | - | - | - |
| EP750YSNW-A | EP400 | EP350 | - | ø19,05 | ø34,93 | ø15,88 | ø28,58 | ø12,7 | ø28,58 | - | - | - | - |
| EP800YSNW-A | EP450 | EP350 | - | ø19,05 | ø34,93 | ø15,88 | ø28,58 | ø12,7 | ø28,58 | - | - | - | - |
| EP850YSNW-A | EP450 | EP400 | - | ø19,05 | ø41,28 | ø15,88 | ø28,58 | ø15,88 | ø28,58 | - | - | - | - |
| EP900YSNW-A | EP450 | EP450 | - | ø19,05 | ø41,28 | ø15,88 | ø28,58 | ø15,88 | ø28,58 | - | - | - | - |
| EP950YSNW-A | EP350 | EP350 | EP250 | ø19,05 | ø41,28 | ø12,7 | ø28,58 | ø12,7 | ø28,58 | ø9,52 | ø22,2 | ø19,05 | ø34,93 |
| EP1000YSNW-A | EP400 | EP350 | EP250 | ø19,05 | ø41,28 | ø15,88 | ø28,58 | ø12,7 | ø28,58 | ø9,52 | ø22,2 | ø19,05 | ø34,93 |
| EP1050YSNW-A | EP400 | EP400 | EP250 | ø19,05 | ø41,28 | ø15,88 | ø28,58 | ø15,88 | ø28,58 | ø9,52 | ø22,2 | ø19,05 | ø34,93 |
| EP1100YSNW-A | EP400 | EP350 | EP350 | ø19,05 | ø41,28 | ø15,88 | ø28,58 | ø12,7 | ø28,58 | ø12,7 | ø28,58 | ø19,05 | ø34,93 |
| EP1150YSNW-A | EP400 | EP400 | EP350 | ø19,05 | ø41,28 | ø15,88 | ø28,58 | ø15,88 | ø28,58 | ø12,7 | ø28,58 | ø19,05 | ø34,93 |
| EP1200YSNW-A | EP400 | EP400 | EP400 | ø19,05 | ø41,28 | ø15,88 | ø28,58 | ø15,88 | ø28,58 | ø15,88 | ø28,58 | ø19,05 | ø34,93 |
| EP1250YSNW-A | EP450 | EP400 | EP400 | ø19,05 | ø41,28 | ø15,88 | ø28,58 | ø15,88 | ø28,58 | ø15,88 | ø28,58 | ø19,05 | ø34,93 |
| EP1300YSNW-A | EP450 | EP450 | EP400 | ø19,05 | ø41,28 | ø15,88 | ø28,58 | ø15,88 | ø28,58 | ø15,88 | ø28,58 | ø19,05 | ø34,93 |
| EP1350YSNW-A | EP450 | EP450 | EP450 | ø19,05 | ø41,28 | ø15,88 | ø28,58 | ø15,88 | ø28,58 | ø15,88 | ø28,58 | ø19,05 | ø34,93 |

| Модель блока | Комбинационный блок | | | Труба А | | Труба А ₁ * ³ | | Труба А ₂ * ³ | | Труба А ₃ * ³ | | Труба А ₄ | |
|--------------|---------------------|--------|--------|---------------------|------------------------|-------------------------------------|------------------------|-------------------------------------|------------------------|-------------------------------------|------------------------|----------------------|------------------------|
| | Блок 1 | Блок 2 | Блок 3 | Жидкий хладагент | Газообразный хладагент | Жидкий хладагент | Газообразный хладагент | Жидкий хладагент | Газообразный хладагент | Жидкий хладагент | Газообразный хладагент | Жидкий хладагент | Газообразный хладагент |
| EP200YNW-A | - | - | - | ø3/8 | ø7/8 | - | - | - | - | - | - | - | - |
| EP250YNW-A | - | - | - | ø3/8 * ¹ | ø7/8 | - | - | - | - | - | - | - | - |
| EP300YNW-A | - | - | - | ø3/8 * ² | ø1-1/8 | - | - | - | - | - | - | - | - |
| EP350YNW-A | - | - | - | ø1/2 | ø1-1/8 | - | - | - | - | - | - | - | - |
| EP400YNW-A | - | - | - | ø1/2 | ø1-1/8 | - | - | - | - | - | - | - | - |
| EP450YNW-A | - | - | - | ø5/8 | ø1-1/8 | - | - | - | - | - | - | - | - |
| EP500YNW-A | - | - | - | ø5/8 | ø1-1/8 | - | - | - | - | - | - | - | - |
| EP400YSNW-A | EP200 | EP200 | - | ø1/2 | ø1-1/8 | ø3/8 | ø7/8 | ø3/8 | ø7/8 | - | - | - | - |
| EP450YSNW-A | EP250 | EP200 | - | ø5/8 | ø1-1/8 | ø3/8 | ø7/8 | ø3/8 | ø7/8 | - | - | - | - |
| EP500YSNW-A | EP250 | EP250 | - | ø5/8 | ø1-1/8 | ø3/8 | ø7/8 | ø3/8 | ø7/8 | - | - | - | - |
| EP550YSNW-A | EP300 | EP250 | - | ø5/8 | ø1-1/8 | ø1/2 | ø1-1/8 | ø3/8 | ø7/8 | - | - | - | - |
| EP600YSNW-A | EP300 | EP300 | - | ø5/8 | ø1-1/8 | ø1/2 | ø1-1/8 | ø1/2 | ø1-1/8 | - | - | - | - |
| EP650YSNW-A | EP400 | EP250 | - | ø5/8 | ø1-1/8 | ø1/2 | ø1-1/8 | ø3/8 | ø7/8 | - | - | - | - |
| EP700YSNW-A | EP350 | EP350 | - | ø3/4 | ø1-3/8 | ø1/2 | ø1-1/8 | ø1/2 | ø1-1/8 | - | - | - | - |
| EP750YSNW-A | EP400 | EP350 | - | ø3/4 | ø1-3/8 | ø5/8 | ø1-1/8 | ø1/2 | ø1-1/8 | - | - | - | - |
| EP800YSNW-A | EP450 | EP350 | - | ø3/4 | ø1-3/8 | ø5/8 | ø1-1/8 | ø1/2 | ø1-1/8 | - | - | - | - |
| EP850YSNW-A | EP450 | EP400 | - | ø3/4 | ø1-5/8 | ø5/8 | ø1-1/8 | ø5/8 | ø1-1/8 | - | - | - | - |
| EP900YSNW-A | EP450 | EP450 | - | ø3/4 | ø1-5/8 | ø5/8 | ø1-1/8 | ø5/8 | ø1-1/8 | - | - | - | - |
| EP950YSNW-A | EP350 | EP350 | EP250 | ø3/4 | ø1-5/8 | ø1/2 | ø1-1/8 | ø1/2 | ø1-1/8 | ø3/8 | ø7/8 | ø3/4 | ø1-3/8 |
| EP1000YSNW-A | EP400 | EP350 | EP250 | ø3/4 | ø1-5/8 | ø5/8 | ø1-1/8 | ø1/2 | ø1-1/8 | ø3/8 | ø7/8 | ø3/4 | ø1-3/8 |
| EP1050YSNW-A | EP400 | EP400 | EP250 | ø3/4 | ø1-5/8 | ø5/8 | ø1-1/8 | ø5/8 | ø1-1/8 | ø3/8 | ø7/8 | ø3/4 | ø1-3/8 |
| EP1100YSNW-A | EP400 | EP350 | EP350 | ø3/4 | ø1-5/8 | ø5/8 | ø1-1/8 | ø1/2 | ø1-1/8 | ø1/2 | ø1-1/8 | ø3/4 | ø1-3/8 |
| EP1150YSNW-A | EP400 | EP400 | EP350 | ø3/4 | ø1-5/8 | ø5/8 | ø1-1/8 | ø5/8 | ø1-1/8 | ø1/2 | ø1-1/8 | ø3/4 | ø1-3/8 |
| EP1200YSNW-A | EP400 | EP400 | EP400 | ø3/4 | ø1-5/8 | ø5/8 | ø1-1/8 | ø5/8 | ø1-1/8 | ø5/8 | ø1-1/8 | ø3/4 | ø1-3/8 |
| EP1250YSNW-A | EP450 | EP400 | EP400 | ø3/4 | ø1-5/8 | ø5/8 | ø1-1/8 | ø5/8 | ø1-1/8 | ø5/8 | ø1-1/8 | ø3/4 | ø1-3/8 |
| EP1300YSNW-A | EP450 | EP450 | EP400 | ø3/4 | ø1-5/8 | ø5/8 | ø1-1/8 | ø5/8 | ø1-1/8 | ø5/8 | ø1-1/8 | ø3/4 | ø1-3/8 |
| EP1350YSNW-A | EP450 | EP450 | EP450 | ø3/4 | ø1-5/8 | ø5/8 | ø1-1/8 | ø5/8 | ø1-1/8 | ø5/8 | ø1-1/8 | ø3/4 | ø1-3/8 |

*1 Используйте трубу диаметром ø12,7 (ø1/2) в случае если длина трубы от наружного блока до самого дальнего внутреннего блока составляет 90 м (295 фут.) или более.

*2 Используйте трубу диаметром ø12,7 (ø1/2) в случае если длина трубы от наружного блока до самого дальнего внутреннего блока составляет 40 м (131 фут.) или более.

*3 Если комбинационные блоки 1, 2 и 3 расположены в разной последовательности, как указано в таблице, используйте в этом случае трубы соответствующей длины.

*4 Если длина трубы после первой точки соединения превышает 40 м (131 фут.) (≤ 90 м (295 фут.)), используйте трубу жидкого хладагента на один размер больше для всех труб, отходящих от внутреннего блока и направленных к первой точке разветвления.

*5 Если разница высот внутренних блоков составляет 15 м (49 фут.) (≤ 30 м (98 фут.)), используйте для нижнего внутреннего блока трубу жидкого хладагента на один размер больше, направленную от блока к первой точке разветвления.

Трубы В,С,Д

[мм (д.)]

| Общая емкость внутренних блоков | Труба | |
|---------------------------------|------------------|------------------------|
| | Жидкий хладагент | Газообразный хладагент |
| 140 или ниже | ø9,52 (ø3/8) | ø15,88 (ø5/8) |
| 141 – 200 | ø9,52 (ø3/8) | ø19,05 (ø3/4) |
| 201 – 300 | ø9,52 (ø3/8) | ø22,2 (ø7/8) |
| 301 – 400 | ø12,7 (ø1/2) | ø28,58 (ø1-1/8) |
| 401 – 650 | ø15,88 (ø5/8) | ø28,58 (ø1-1/8) |
| 651 – 800 | ø19,05 (ø3/4) | ø34,93 (ø1-3/8) |
| 801 или выше | ø19,05 (ø3/4) | ø41,28 (ø1-5/8) |

Трубы а,b,c,d,e

[мм (д.)]

| Показатель емкости внутреннего блока | Труба | |
|--------------------------------------|------------------|------------------------|
| | Жидкий хладагент | Газообразный хладагент |
| 20, 25, 32, 40, 50 | ø6,35 (ø1/4) | ø12,7 (ø1/2) |
| 63, 71, 80, 100, 125, 140 | ø9,52 (ø3/8) | ø15,88 (ø5/8) |
| 200 | ø9,52 (ø3/8) | ø19,05 (ø3/4) |
| 250 | ø9,52 (ø3/8) | ø22,2 (ø7/8) |

9-5. Соединения труб и работа с клапанами

ПРЕДОСТЕРЕЖЕНИЕ

Перед нагревом запаянных секций удалите газ и масло, скопившиеся в трубах.

- В противном случае это может привести к возгоранию и последующим серьезным травмам.

Проветривайте помещение при помощи соответствующего оборудования.

- Утечка хладагента может вызвать дефицит кислорода. При контакте газа с источником тепла образуется токсичный газ.

ВНИМАНИЕ

Храните трубы в помещении, закрыв их с обоих концов до пайки. (соединительные колена и другие соединения храните в пластиковом пакете).

- Попадание в холодильный контур пыли, грязи или воды может привести к ухудшению эксплуатационных свойств холодильного масла и выходу компрессора из строя.

Сервисные клапаны должны быть закрыты до окончания заправки добавочного количества хладагента.

- В противном случае устройство может выйти из строя.

Накройте сервисные клапаны влажным полотенцем перед спаиванием трубок во избежание перегрева клапанов свыше 120 °C (248 °F).

- В противном случае это может привести к повреждению оборудования.

Не допускайте обгорания кабелей и воздействия пламени на металлические пластины при спайке труб.

- В противном случае это может привести к обгоранию или неисправностям.

Спаивайте трубы после продувки азотом во избежание окисления.

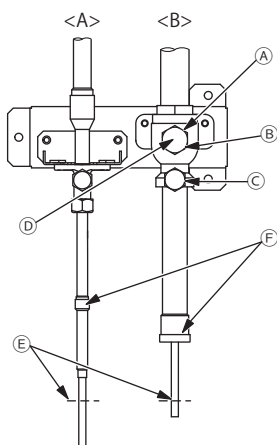
- Окисленный поток внутри труб хладагента может вызвать ухудшение качества холодильного масла, что впоследствии может привести к повреждению компрессора.

9-5-1. Демонтаж заземленных соединительных трубок

Данный блок оснащается заземленными соединительными трубками, соединенными с жидкостными и газовыми клапанами, во избежание утечки газа.

Перед тем как подсоединить трубы хладагента к наружному блоку, выполните описанные ниже шаги с ① по ③, чтобы снять заземленные соединительные трубки.

- ① Убедитесь в том, что сервисный клапан плотно закрыт (повернут по часовой стрелке до упора).
- ② Стравите газ из заземленных соединительных трубок и слейте все хладагентное масло. (См. ⑤ ниже.)
- ③ Удалите заземленные соединительные трубки. (См. ⑥ ниже.)



<A> Сервисный клапан хладагента (жидкого/запаянного типа)

 Сервисный клапан хладагента (газообразного/запаянного типа)

① Стержень клапана

Данный блок поставляется с закрытым стержнем клапана. При вакуумировании системы или подключении трубок клапан должен быть закрыт. По завершении работ откройте клапан. Для открытия клапана поверните стержень против часовой стрелки (90°), и по часовой стрелке для закрытия клапана.

② Стопорный штифт

Предотвращает поворот вала на 90° или более.

③ Сервисное отверстие

Вы можете залить хладагент через сервисное отверстие, стравить через него газ в заземленных соединительных трубах или вакуумировать систему.

④ Крышка

Снимите крышку перед поворотом штока. По завершении установите крышку на место.

⑤ Отрезная секция заземленной соединительной трубки

⑥ Спаянная секция заземленной соединительной трубки

9-5-2. Соединительные трубки

- Хладагентная труба от наружного блока разветвляется на конце, затем каждое ответвление подсоединяется к внутреннему блоку.

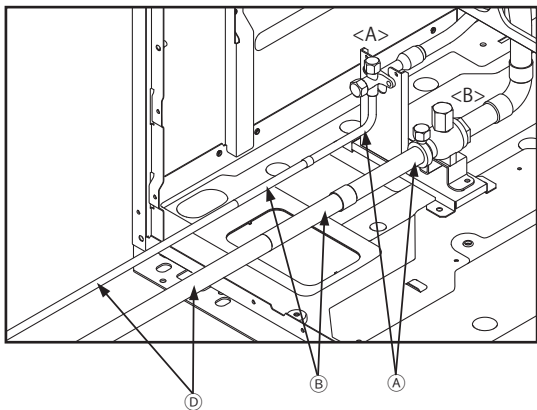
| | | Способ соединения |
|------------------------|--------------------------------|-----------------------|
| Внутренний блок | | Пайка или прессование |
| Наружный блок | Труба газообразного хладагента | Пайка |
| | Труба жидкого хладагента | Пайка |
| Разветвительная секция | | Пайка |

- При подключении труб необходимо полностью закрыть сервисные клапаны.
- Обычно имеющиеся в продаже трубы содержат грязь и пыль. Всегда продувайте их сухим инертным газом перед использованием.
- Соблюдайте осторожность, чтобы предотвратить попадание пыли, воды и иных загрязнений в трубы во время установки.
- Сведите к минимуму количество сгибов. Радиус сгибов делайте максимально большим.
- Не используйте средство против окисления. Это может привести к коррозии труб и ухудшению свойств холодильного масла. При возникновении вопросов обращайтесь в компанию Mitsubishi Electric.
- Убедитесь в том, что трубы не соприкасаются друг с другом, панелями блока или пластинами основания.
- Метод установки двойника-разветвителя см. в руководстве по монтажу двойника-разветвителя.

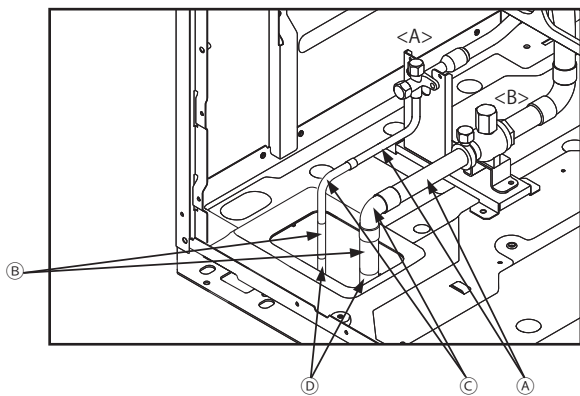
<Примеры подключения хладагентных трубок>

- Приобретите на месте необходимые трубные соединения и коленчатые трубы с соответствующим диаметром трубы, и подключите трубы как показано на рисунках внизу.

(1) При подводке труб к блоку с фронтальной части



(2) При подводке труб к блоку с задней части



- <A> Сторона жидкого хладагента
- Сторона газообразного хладагента
- Ⓐ Трубопроводы сервисного клапана хладагента
- Ⓑ Переходник и т. д.
- Ⓒ Коленчатая труба
- Ⓓ Внешний трубопровод

<Ссылка> Размеры хладагентных трубок

| | | Внешний трубопровод [мм (д.)] | | Подсоединение трубы к сервисному клапану [мм (д.)] | |
|------|------|-------------------------------|------------------------|--|------------------------|
| | | Жидкий хладагент | Газообразный хладагент | Жидкий хладагент | Газообразный хладагент |
| P200 | | ø9,52 (ø3/8) | ø22,2 (ø7/8) | ø9,52 (ø3/8) | ø22,2 (ø7/8) |
| P250 | *1 | ø9,52 (ø3/8) | | | |
| | *2 | ø12,7 (ø1/2) | | | |
| P300 | *3 | ø9,52 (ø3/8) | | | |
| | *4*6 | ø12,7 (ø1/2) | | | |
| P350 | | ø12,7 (ø1/2) | ø28,58 (ø1-1/8) | ø12,7 (ø1/2) | ø28,58 (ø1-1/8) |
| P400 | *5 | ø12,7 (ø1/2) | | | |
| | *6 | ø15,88 (ø5/8) | | | |
| P450 | | ø15,88 (ø5/8) | | | |
| P500 | | ø15,88 (ø5/8) | | ø15,88 (ø5/8) | |

| | | Внешний трубопровод [мм (д.)] | | Подсоединение трубы к сервисному клапану [мм (д.)] | |
|-------|------|-------------------------------|------------------------|--|------------------------|
| | | Жидкий хладагент | Газообразный хладагент | Жидкий хладагент | Газообразный хладагент |
| EP200 | | ø9,52 (ø3/8) | ø22,2 (ø7/8) | ø9,52 (ø3/8) | ø22,2 (ø7/8) |
| EP250 | *1 | ø9,52 (ø3/8) | | | |
| | *2 | ø12,7 (ø1/2) | | | |
| EP300 | *3 | ø9,52 (ø3/8) | | | |
| | *4*6 | ø12,7 (ø1/2) | | | |
| EP350 | | ø12,7 (ø1/2) | ø28,58 (ø1-1/8) | ø12,7 (ø1/2) | ø28,58 (ø1-1/8) |
| EP400 | *5 | ø12,7 (ø1/2) | | | |
| | *6 | ø15,88 (ø5/8) | | | |
| EP450 | | ø15,88 (ø5/8) | | | |
| EP500 | | ø15,88 (ø5/8) | | ø15,88 (ø5/8) | |

*1 При длине трубы от наружного блока до самого удаленного внутреннего блока менее 90 м (295 фут.)

*2 При длине трубы от наружного блока до самого удаленного внутреннего блока 90 м (295 фут.) или более

*3 При длине трубы от наружного блока до самого удаленного внутреннего блока менее 40 м (131 фут.)

*4 При длине трубы от наружного блока до самого удаленного внутреннего блока 40 м (131 фут.) или более.

*5 При автономном использовании

*6 При использовании в сочетании с другими наружными блоками

- При развальцовке внешних труб соблюдайте требования по минимальной глубине запрессовки.

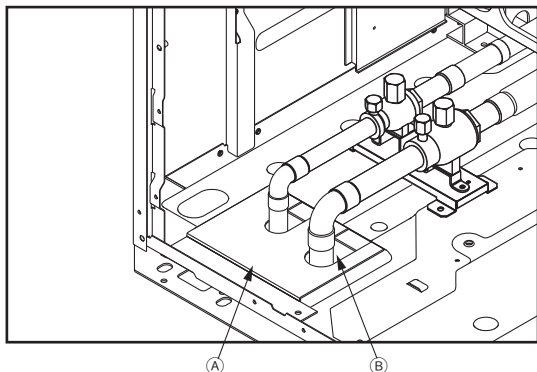
| Размер трубки [мм (д.)] | Минимальная глубина запрессовки [мм (д.)] |
|--|---|
| ø5 (ø1/4) или больше, менее ø8 (ø3/8) | 6 (1/4) |
| ø8 (ø3/8) или больше, менее ø12 (ø1/2) | 7 (5/16) |
| ø12 (ø1/2) или больше, менее ø16 (ø11/16) | 8 (3/8) |
| ø16 (ø11/16) или больше, менее ø25 (ø1) | 10 (7/16) |
| ø25 (ø1) или больше, менее ø35 (ø1-7/16) | 12 (1/2) |
| ø35 (ø1-7/16) или больше, менее ø45 (ø1-13/16) | 14 (9/16) |

9-5-3. Уплотнение всех отверстий вокруг труб

! ПРЕДОСТЕРЕЖЕНИЕ

Закройте все отверстия для труб и проводов, не подпускайте к ним мелких животных, избегайте попадания в них влаги или снега.

- В противном случае это может повлечь за собой утечку тока, поражение электрическим током или возникновение неисправностей блока.



- (A) Пример изоляционных материалов (не поставляется в комплекте)
- (B) Заполните промежутки

9-6. Проверка герметичности

! ПРЕДОСТЕРЕЖЕНИЕ

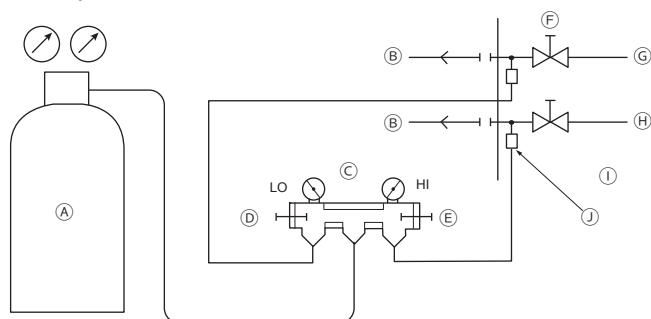
Не используйте кислород, легковоспламеняемый газ или хладагент, содержащий хлор, для проверки герметичности.

- Это может привести к взрыву. Хлор способствует ухудшению свойств холодильного масла.

По завершении установки трубки хладагента проверьте систему на утечки, выполнив процедуру проверки герметичности. При наличии утечки состав хладагента изменится, что приведет к снижению производительности.

<Процедура проверки герметичности>

- ① Сервисные клапаны должны быть полностью закрыты.
- ② Повысьте давление в трубах хладагента через сервисные отверстия жидкостных и газовых трубок.
* Используя азот повысьте добавление до 4,15 МПа.
- ③ Если данная величина давления удерживается в течение одного дня и не снижается, это означает, что проверка герметичности выполнена и утечки отсутствуют. Понижение давление указывает на наличие утечек. Выполните поиск утечек посредством распыления течеискателя (например, Gupoflex) на прессованные или спаянные секции.
- ④ Вытрите течеискатель.



- (A) Азот
- (B) К внутреннему блоку
- (C) Штуцер манометра
- (D) Переключатель низкого давления
- (E) Переключатель высокого давления
- (F) Сервисный клапан
- (G) Труба жидкого хладагента
- (H) Труба газообразного хладагента
- (I) Наружный блок
- (J) Сервисное отверстие

9-7. Термоизоляция для труб

ВНИМАНИЕ

Оберните трубки специальным материалом во избежание конденсации.

- Конденсат может скапливаться и капать с внутреннего блока на потолок или пол.

Оберните трубы жидкого и газообразного хладагента по отдельности полиэтиленовой пеной. При недостаточном количестве изоляционного материала, может образоваться конденсат. Потолочные трубы особенно сильно подвержены конденсации, их необходимо тщательно изолировать.

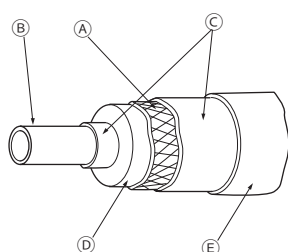
9-7-1. Изоляционный материал

• Проверьте, соответствует ли изоляционный материал указанным в таблице ниже стандартам.

| | Размер трубки [мм (д.)] | |
|-------------------|---------------------------|-----------------------------------|
| | ø6,35 (ø1/4) – ø25,4 (ø1) | ø28,58 (ø1-1/8) – ø41,28 (ø1-5/8) |
| Толщина [мм (д.)] | Мин. 10 (7/16) | Мин. 15 (5/8) |
| Огнеупорность | Мин. 120 °C (248 °F) | |

* В условиях высокой температуры/влажности может потребоваться использование более толстого изоляционного материала.

* Независимо от указанных вашим клиентом характеристик необходимо соблюдать приведенные в таблице значения.

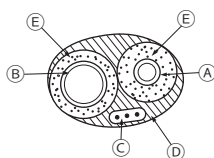
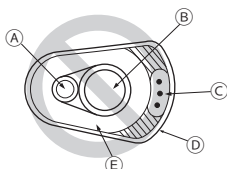


- А Стальная проволока
- В Труба
- С Битумная мастика или битум
- Д Изоляционный материал А
- Е Внешнее покрытие В

| | | |
|-------------------------|---|---|
| Изоляционный материал А | Стекловолокно + стальная проволока | |
| | Клеящий материал + теплостойкая полиэтиленовая пена + клейкая лента | |
| Внешнее покрытие В | Внутренний блок | Пластиковая лента |
| | Подпольный и наружный | Водонепроницаемый брезент + бронзосодержащий битум |
| | Наружный блок | Водонепроницаемый брезент + цинковая пластина + масляная краска |

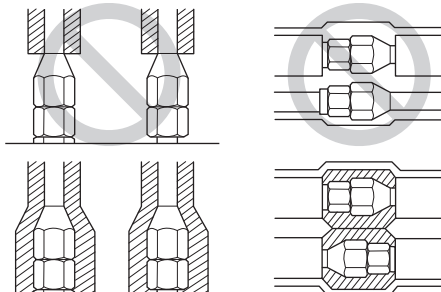
* Использование полиэтилена в качестве наружного покрытия делает ненужным применение битума.

• Не изолируйте электрические провода.



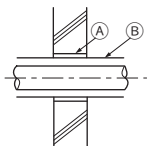
- А Труба жидкого хладагента
- В Труба газообразного хладагента
- С Электрический провод
- Д Отделочная лента
- Е Изоляционный материал

• Проверьте, загерметизированы ли все трубные соединения на всем расстоянии от внутреннего блока.

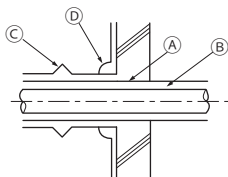


9-7-2. Изоляция секции трубы, проходящей через стену

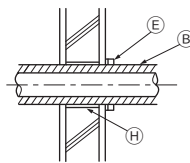
(1) Внутренняя стена (скрытое отверстие)



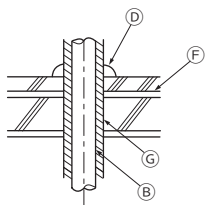
(2) Внешняя стена



(3) Внешняя стена (открытое отверстие)



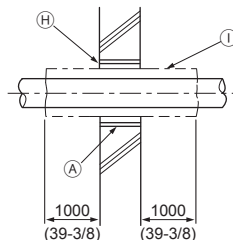
(4) Пол (водозащита)



(5) Трубопроводная шахта на крыше



Защита присутствующих в пожароопасной зоне элементов, или элементов, проникающих через стену



[мм (д.)]

- (A) Рукав
- (B) Изоляционный материал
- (C) Изоляция
- (D) Уплотнительный материал
- (E) Ремень
- (F) Водонепроницаемый слой
- (G) Рукав с фланцем
- (H) Уплотнитель с невоспламеняемым материалом, например, цементный раствор.
- (I) Невоспламеняемый изоляционный материал

- При уплотнении зазоров цементным раствором накройте трубную секцию, проходящую через стену, металлическим листом во избежание оседания изоляционного материала. Для данной секции используйте невоспламеняемые изоляционные материалы и покрытия. (Не используйте виниловую ленту).

9-8. Вакуумирование системы

! ПРЕДОСТЕРЕЖЕНИЕ

Не используйте для продувки хладагент. Используйте вакуумный насос для продувки системы.

- Остаточный газ, скопившийся в магистралях хладагента, может стать причиной разрыва труб или взрыва.

ВНИМАНИЕ

Используйте вакуумный насос с обратным клапаном.

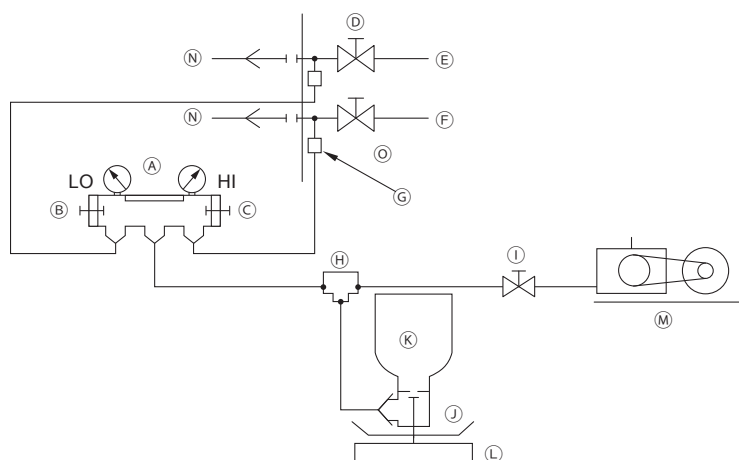
- Проникновение масла вакуумного насоса в контур охлаждения может привести к ухудшению эксплуатационных качеств холодильного масла и повреждению компрессора.

<Принцип выполнения вакуумирования>

- ① Выполняйте вакуумирование системы через оба сервисных отверстия используя вакуумный насос, сервисные клапаны должны быть закрыты.
- ② После достижения давления 650 Па продолжайте выполнять вакуумирование в течение минимум одного часа.
- ③ После этого остановите вакуумный насос и оставьте систему на один час.
- ④ Проверьте, не снизился ли вакуум более чем на 130 Па.
- ⑤ При повышении давления более чем на 130 Па скорее всего в систему просачивается вода. Подайте в систему осушенный азот, давление должно увеличиться на 0,05 МПа. Повторяйте шаги с ① – ⑤ до тех пор, пока не будет достигнуто давление 130 Па или ниже. Если нужного результата не удастся достичь, выполните процедуру тройного вакуумирования, описанную ниже.

<Тройное вакуумирование>

- ① Выполните процедуру вакуумирования системы через оба сервисных порта, давление должно достичь 533 Па, для этого используйте вакуумный насос.
- ② Подайте в систему осушенный азот через выпускное сервисное отверстие, давление при этом должно опуститься до 0 Па.
- ③ Выполните процедуру вакуумирования системы через впускной сервисный порта, давление должно достичь 200 Па, для этого используйте вакуумный насос.
- ④ Подайте в систему осушенный азот через выпускное сервисное отверстие, давление при этом должно опуститься до 0 Па.
- ⑤ Выполните процедуру вакуумирования системы через оба сервисных порта, для этого используйте вакуумный насос.
- ⑥ После достижения значения давления 66,7 Па остановите вакуумный насос и оставьте систему на один час. Значение 66,7 Па должно удерживаться минимум один час.
- ⑦ Проверяйте в течение минимум 30 минут не увеличивается ли давление.



- А Штуцер манометра
- В Переключатель низкого давления
- С Переключатель высокого давления
- Д Сервисный клапан
- Е Труба жидкого хладагента
- Ф Труба газообразного хладагента
- Г Сервисное отверстие
- Н Трехстороннее соединение
- И Клапан (вакуумный насос)
- Ж Клапан (для заправки хладагента)
- К Резервуар для хладагента
- Л Шкала
- М Вакуумный насос
- Н К внутреннему блоку
- О Наружный блок

- Используйте тару, объем в которой можно понижать на 0,1 кг (0,1 унц.).
- Рекомендованный вакуумный манометр: ROBINAIR 14830A Thermistor Vacuum Gauge или Micron Gauge
- Не измеряйте разрежение манометром коллектора.
- Используйте вакуумный насос, способный обеспечивать вакуум величиной 65 Па (абс.) в течение пяти минут.

9-9. Дополнительная зарядка хладагентом

ВНИМАНИЕ

Заправляйте хладагент в жидком состоянии.

- При заправке газообразного хладагента для его состав в баллоне изменится, а рабочие показатели прибора могут ухудшиться.

Запрещается использовать заправочные баллоны при заправке хладагента.

- Использование заправочного баллона может привести к изменению состава хладагента, что станет причиной ухудшения показателей прибора.

В таблице внизу приводится заправляемое на заводе количество хладагента, максимальное количество хладагента, добавляемое на месте, а также максимальное общее количество хладагента в системе.

[кг (унц.)]

| Модель блока | Объем, заправляемый на заводе | Макс. кол-во, добавляемое на месте | Макс. общее кол-во в системе |
|--------------|-------------------------------|------------------------------------|------------------------------|
| P200YNW-A | 6,5 (230) | 15,9 (561) | 22,4 (791) |
| P250YNW-A | 6,5 (230) | 22,9 (809) | 29,4 (1039) |
| P300YNW-A | 6,5 (230) | 23,4 (825) | 29,9 (1054) |
| P350YNW-A | 9,8 (346) | 24,0 (845) | 33,8 (1191) |
| P400YNW-A | 9,8 (346) | 24,4 (861) | 34,2 (1207) |
| P450YNW-A | 10,8 (381) | 32,2 (1135) | 43,0 (1516) |
| P500YNW-A | 10,8 (381) | 33,1 (1167) | 43,9 (1548) |
| P400YSNW-A | 13,0 (459) | 32,0 (1128) | 45,0 (1586) |
| P450YSNW-A | 13,0 (459) | 32,0 (1128) | 45,0 (1586) |
| P500YSNW-A | 13,0 (459) | 32,9 (1159) | 45,9 (1618) |
| P550YSNW-A | 13,0 (459) | 34,7 (1223) | 47,7 (1681) |
| P600YSNW-A | 13,0 (459) | 34,7 (1223) | 47,7 (1681) |
| P650YSNW-A | 16,3 (575) | 35,2 (1243) | 51,5 (1818) |
| P700YSNW-A | 19,6 (692) | 44,8 (1581) | 64,4 (2272) |
| P750YSNW-A | 19,6 (692) | 44,8 (1581) | 64,4 (2272) |
| P800YSNW-A | 20,6 (727) | 44,7 (1577) | 65,3 (2304) |
| P850YSNW-A | 20,6 (727) | 46,5 (1641) | 67,1 (2367) |
| P900YSNW-A | 21,6 (762) | 46,4 (1637) | 68,0 (2399) |
| P950YSNW-A | 26,1 (921) | 45,9 (1621) | 72,0 (2542) |
| P1000YSNW-A | 26,1 (921) | 45,9 (1621) | 72,0 (2542) |
| P1050YSNW-A | 26,1 (921) | 45,9 (1621) | 72,0 (2542) |
| P1100YSNW-A | 29,4 (1038) | 45,6 (1610) | 75,0 (2647) |
| P1150YSNW-A | 29,4 (1038) | 45,6 (1610) | 75,0 (2647) |
| P1200YSNW-A | 29,4 (1038) | 45,6 (1610) | 75,0 (2647) |
| P1250YSNW-A | 30,4 (1073) | 47,3 (1669) | 77,7 (2742) |
| P1300YSNW-A | 31,4 (1108) | 47,2 (1666) | 78,6 (2774) |
| P1350YSNW-A | 32,4 (1143) | 47,1 (1662) | 79,5 (2805) |

| Модель блока | Объем, заправляемый на заводе | Макс. кол-во, добавляемое на месте | Макс. общее кол-во в системе |
|--------------|-------------------------------|------------------------------------|------------------------------|
| EP200YNW-A | 6,5 (230) | 15,9 (561) | 22,4 (791) |
| EP250YNW-A | 6,5 (230) | 22,9 (808) | 29,4 (1038) |
| EP300YNW-A | 6,5 (230) | 23,4 (826) | 29,9 (1055) |
| EP350YNW-A | 9,8 (346) | 24,0 (845) | 33,8 (1191) |
| EP400YNW-A | 10,8 (381) | 24,3 (858) | 35,1 (1239) |
| EP450YNW-A | 10,8 (381) | 32,2 (1135) | 43,0 (1516) |
| EP500YNW-A | 10,8 (381) | 33,1 (1167) | 43,9 (1548) |
| EP400YSNW-A | 13,0 (459) | 32,0 (1128) | 45,0 (1586) |
| EP450YSNW-A | 13,0 (459) | 32,0 (1128) | 45,0 (1586) |
| EP500YSNW-A | 13,0 (459) | 32,9 (1159) | 45,9 (1618) |
| EP550YSNW-A | 13,0 (459) | 34,7 (1225) | 47,7 (1683) |
| EP600YSNW-A | 13,0 (459) | 34,7 (1225) | 47,7 (1683) |
| EP650YSNW-A | 17,3 (611) | 35,1 (1239) | 52,4 (1850) |
| EP700YSNW-A | 19,6 (692) | 44,8 (1581) | 64,4 (2272) |
| EP750YSNW-A | 20,6 (727) | 44,7 (1577) | 65,3 (2304) |
| EP800YSNW-A | 20,6 (727) | 44,7 (1577) | 65,3 (2304) |
| EP850YSNW-A | 21,6 (762) | 46,4 (1637) | 68,0 (2399) |
| EP900YSNW-A | 21,6 (762) | 46,4 (1637) | 68,0 (2399) |
| EP950YSNW-A | 26,1 (921) | 45,9 (1621) | 72,0 (2542) |
| EP1000YSNW-A | 27,1 (956) | 45,8 (1618) | 72,9 (2574) |
| EP1050YSNW-A | 28,1 (992) | 45,7 (1614) | 73,8 (2605) |
| EP1100YSNW-A | 30,4 (1073) | 45,5 (1606) | 75,9 (2678) |
| EP1150YSNW-A | 31,4 (1108) | 45,4 (1602) | 76,8 (2710) |
| EP1200YSNW-A | 32,4 (1143) | 45,3 (1599) | 77,7 (2742) |
| EP1250YSNW-A | 32,4 (1143) | 47,1 (1662) | 79,5 (2805) |
| EP1300YSNW-A | 32,4 (1143) | 47,1 (1662) | 79,5 (2805) |
| EP1350YSNW-A | 32,4 (1143) | 47,1 (1662) | 79,5 (2805) |

Заправка слишком большого/малого объема хладагента может вызвать неисправность оборудования.

Заправляйте строго необходимое количество хладагента.

Запишите количество добавленного хладагента на этикетке, закрепленной на панели блока управления, это значение потребуется при дальнейшем обслуживании.

9-9-1. Расчет количества добавляемого хладагента

- Количество хладагента, которое необходимо добавить, зависит от размера и общей длины труб для жидкого хладагента.
- Рассчитывайте объем хладагента, который необходимо добавить, по представленной ниже формуле.
- Округлите результат до десятичного значения 0,1 кг (0,1 унц.).

(1) Единицы измерения «м» и «кг»

<Формула>

- При длине трубы от наружного блока до самого удаленного внутреннего блока 30,5 м (100 фут.) или короче

$$\text{Количество добавляемого хладагента (кг)} = \begin{matrix} \text{Ø19,05, общая} \\ \text{длина} \times 0,29 \text{ (кг/м)} \end{matrix} + \begin{matrix} \text{Ø15,88, общая} \\ \text{длина} \times 0,2 \text{ (кг/м)} \end{matrix} + \begin{matrix} \text{Ø12,7, общая} \\ \text{длина} \times 0,12 \text{ (кг/м)} \end{matrix} + \begin{matrix} \text{Ø9,52, общая} \\ \text{длина} \times 0,06 \text{ (кг/м)} \end{matrix} + \begin{matrix} \text{Ø6,35, общая} \\ \text{длина} \times 0,024 \text{ (кг/м)} \end{matrix}$$

| Модели наружных блоков | Количество (кг) | Общая емкость подсоединенных внутренних блоков | Количество (кг) |
|------------------------|-----------------|--|-----------------|
| (E)P200 | 0 | 80 или ниже | 2,0 |
| (E)P250 | 0 | 81 – 160 | 2,5 |
| (E)P300 | 0 | 161 – 330 | 3,0 |
| (E)P350 | 0 | 331 – 390 | 3,5 |
| (E)P400 | 0 | 391 – 480 | 4,5 |
| (E)P450 | 0 | 481 – 630 | 5,0 |
| (E)P500 | 0 | 631 – 710 | 6,0 |
| | | 711 – 800 | 8,0 |
| | | 801 – 890 | 9,0 |
| | | 891 – 1070 | 10,0 |
| | | 1071 – 1250 | 12,0 |
| | | 1251 или выше | 14,0 |

* Кол-во хладагента, добавляемое в одномодульные системы

- При длине трубы от наружного блока до самого удаленного внутреннего блока более 30,5 м (100 фут.)

$$\text{Количество добавляемого хладагента (кг)} = \begin{matrix} \text{Ø19,05, общая} \\ \text{длина} \times 0,26 \text{ (кг/м)} \end{matrix} + \begin{matrix} \text{Ø15,88, общая} \\ \text{длина} \times 0,18 \text{ (кг/м)} \end{matrix} + \begin{matrix} \text{Ø12,7, общая} \\ \text{длина} \times 0,11 \text{ (кг/м)} \end{matrix} + \begin{matrix} \text{Ø9,52, общая} \\ \text{длина} \times 0,054 \text{ (кг/м)} \end{matrix} + \begin{matrix} \text{Ø6,35, общая} \\ \text{длина} \times 0,021 \text{ (кг/м)} \end{matrix}$$

| Модели наружных блоков | Количество (кг) | Общая емкость подсоединенных внутренних блоков | Количество (кг) |
|------------------------|-----------------|--|-----------------|
| (E)P200 | 0 | 80 или ниже | 2,0 |
| (E)P250 | 0 | 81 – 160 | 2,5 |
| (E)P300 | 0 | 161 – 330 | 3,0 |
| (E)P350 | 0 | 331 – 390 | 3,5 |
| (E)P400 | 0 | 391 – 480 | 4,5 |
| (E)P450 | 0 | 481 – 630 | 5,0 |
| (E)P500 | 0 | 631 – 710 | 6,0 |
| | | 711 – 800 | 8,0 |
| | | 801 – 890 | 9,0 |
| | | 891 – 1070 | 10,0 |
| | | 1071 – 1250 | 12,0 |
| | | 1251 или выше | 14,0 |

* Кол-во хладагента, добавляемое в одномодульные системы

* При подсоединении PEFY-P50/63/71/80VMHS2-E добавьте 2,7 кг хладагента на каждый внутренний блок.

* При подключении комплекта LEV (PAC-LV11M-J) может потребоваться дополнительная зарядка хладагентом. За подробными сведениями обращайтесь к дилеру.

<Пример>

Модель наружного блока: P300

Общая емкость подсоединенных внутренних блоков: 361

* См. примеры трубных соединений в разделе 9-4 для получения сведений о трубах, промаркированных представленными ниже кодами.

A: Ø12,7; 40 м

B: Ø9,52; 10 м

C: Ø9,52; 15 м

D: Ø9,52; 10 м

a: Ø9,52; 10 м

b: Ø9,52; 5 м

c: Ø6,35; 10 м

d: Ø6,35; 10 м

e: Ø9,52; 10 м

Общая длина каждой трубы жидкого хладагента:

Ø12,7, общая длина: 40 (A)

Ø9,52, общая длина: 10 (B) + 15 (C) + 10 (D) + 10 (a) + 5 (b) + 10 (e) = 60

Ø6,35, общая длина: 10 (c) + 10 (d) = 20

При длине трубы от наружного блока до самого удаленного внутреннего блока более 30,5 м (100 фут.)

Количество добавляемого хладагента = (40 × 0,11) + (60 × 0,054) + (20 × 0,021) + 0 + 3,5
= 11,6 кг (десятичные значения округлены)

(2) Единицы измерения «фут.» и «унц.»

<Формула>

• При длине трубы от наружного блока до самого удаленного внутреннего блока 30,5 м (100 фут.) или короче

| | | | | | | | | | | |
|---|---|-------------------------------------|---|--------------------------------------|---|--------------------------------------|---|--------------------------------------|---|--------------------------------------|
| Количество добавляемого хладагента (унц.) | = | Ø3/4, общая длина × 3,1 (унц./фут.) | + | Ø5/8, общая длина × 2,15 (унц./фут.) | + | Ø1/2, общая длина × 1,29 (унц./фут.) | + | Ø3/8, общая длина × 0,65 (унц./фут.) | + | Ø1/4, общая длина × 0,26 (унц./фут.) |
|---|---|-------------------------------------|---|--------------------------------------|---|--------------------------------------|---|--------------------------------------|---|--------------------------------------|

| Модели наружных блоков | Количество (унц.) | Общая емкость подсоединенных внутренних блоков | Количество (унц.) |
|------------------------|-------------------|--|-------------------|
| (E)P200 | 0 | 80 или ниже | 71 |
| (E)P250 | 0 | 81 – 160 | 89 |
| (E)P300 | 0 | 161 – 330 | 106 |
| (E)P350 | 0 | 331 – 390 | 124 |
| (E)P400 | 0 | 391 – 480 | 160 |
| (E)P450 | 0 | 481 – 630 | 177 |
| (E)P500 | 0 | 631 – 710 | 212 |
| | | 711 – 800 | 283 |
| | | 801 – 890 | 318 |
| | | 891 – 1070 | 353 |
| | | 1071 – 1250 | 424 |
| | | 1251 или выше | 494 |

* Кол-во хладагента, добавляемое в одномодульные системы

• При длине трубы от наружного блока до самого удаленного внутреннего блока более 30,5 м (100 фут.)

| | | | | | | | | | | |
|---|---|--------------------------------------|---|--------------------------------------|---|--------------------------------------|---|--------------------------------------|---|--------------------------------------|
| Количество добавляемого хладагента (унц.) | = | Ø3/4, общая длина × 2,80 (унц./фут.) | + | Ø5/8, общая длина × 1,94 (унц./фут.) | + | Ø1/2, общая длина × 1,19 (унц./фут.) | + | Ø3/8, общая длина × 0,58 (унц./фут.) | + | Ø1/4, общая длина × 0,23 (унц./фут.) |
|---|---|--------------------------------------|---|--------------------------------------|---|--------------------------------------|---|--------------------------------------|---|--------------------------------------|

| Модели наружных блоков | Количество (унц.) | Общая емкость подсоединенных внутренних блоков | Количество (унц.) |
|------------------------|-------------------|--|-------------------|
| (E)P200 | 0 | 80 или ниже | 71 |
| (E)P250 | 0 | 81 – 160 | 89 |
| (E)P300 | 0 | 161 – 330 | 106 |
| (E)P350 | 0 | 331 – 390 | 124 |
| (E)P400 | 0 | 391 – 480 | 160 |
| (E)P450 | 0 | 481 – 630 | 177 |
| (E)P500 | 0 | 631 – 710 | 212 |
| | | 711 – 800 | 283 |
| | | 801 – 890 | 318 |
| | | 891 – 1070 | 353 |
| | | 1071 – 1250 | 424 |
| | | 1251 или выше | 494 |

* Кол-во хладагента, добавляемое в одномодульные системы

* При подсоединении REFY-P50/63/71/80VMHS2-E добавьте 96 унц. хладагента на каждый внутренний блок.

* При подключении комплекта LEV (PAC-LV11M-J) может потребоваться дополнительная зарядка хладагентом. За подробными сведениями обращайтесь к дилеру.

<Пример>

Модель наружного блока: P300

Общая емкость подсоединенных внутренних блоков: 361

* См. примеры трубных соединений в разделе 9-4 для получения сведений о трубах, промаркированных представленными ниже кодами.

A: $\varnothing 1/2$; 131 фут.

B: $\varnothing 3/8$; 32 фут.

C: $\varnothing 3/8$; 49 фут.

D: $\varnothing 3/8$; 32 фут.

a: $\varnothing 3/8$; 32 фут.

b: $\varnothing 3/8$; 16 фут.

c: $\varnothing 1/4$; 32 фут.

d: $\varnothing 1/4$; 32 фут.

e: $\varnothing 3/8$; 32 фут.

Общая длина каждой трубы жидкого хладагента:

$\varnothing 1/2$, общая длина: 131 (A)

$\varnothing 3/8$, общая длина: 32 (B) + 49 (C) + 32 (D) + 32 (a) + 16 (b) + 32 (e) = 193

$\varnothing 1/4$, общая длина: 32 (c) + 32 (d) = 64

При длине трубы от наружного блока до самого удаленного внутреннего блока более 30,5 м (100 фут.)

Количество добавляемого хладагента = $(131 \times 1,19) + (193 \times 0,58) + (64 \times 0,23) + 0 + 124$
= 406,6 унц. (десятичные значения округлены)

9-9-2. Заправка дополнительного количества хладагента

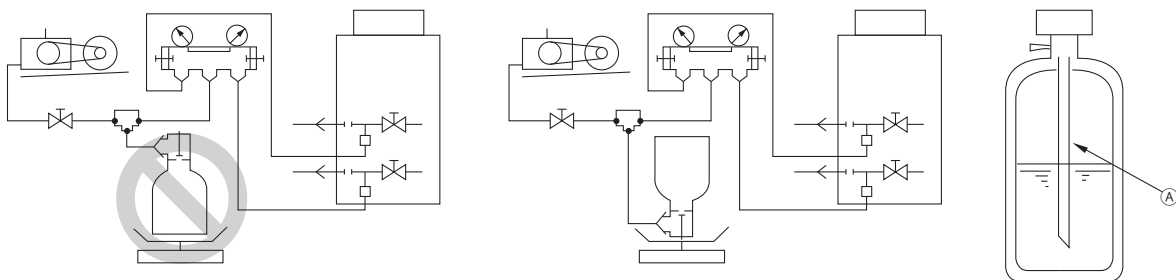
Заправьте рассчитанное количество жидкого хладагента в блок через сервисное отверстие по завершении прокладки труб. По завершении всех работ плотно закрутите крышки всех сервисных отверстий и стержни клапанов во избежание утечки хладагента.

<Примечание>

- Запрещается стравливать хладагент в атмосферу.
- Момент затяжки см. в таблице ниже.

| Размер трубки [мм (д.)] | Крышка вала (Нм) | Вал (Нм) | Размер шестигранного ключа [мм (д.)] | Крышка сервисного штуцера (Нм) |
|---|------------------|----------|--------------------------------------|--------------------------------|
| $\varnothing 9,52$ ($\varnothing 3/8$) | 22 | - | - | 12 |
| $\varnothing 12,7$ ($\varnothing 1/2$) | 27 | - | - | |
| $\varnothing 15,88$ ($\varnothing 5/8$) | 32 | - | - | |
| $\varnothing 22,2$ ($\varnothing 7/8$) | 22 | - | - | 16 |
| $\varnothing 28,58$ ($\varnothing 1-1/8$) | 22 | - | - | 16 |

- Если резервуар хладагента не имеет сифонной трубки, для заправки следует перевернуть резервуар, как указано на рис. ниже.



Ⓐ Сифонная трубка

- После вакуумирования и зарядки хладагентом полностью откройте сервисные клапаны. Не включайте блок при открытых клапанах.

10. Электромонтажные работы

ПРЕДОСТЕРЕЖЕНИЕ

Электрические работы должны выполняться только квалифицированным персоналом в соответствии с местными нормами, а также инструкциями, приведенными в данном руководстве. Используйте только указанные кабели и соответствующие схемы.

- Неверный выбор уровня мощности источника питания и неправильный монтаж электропроводки приведет к поражениям электрическим током, возникновению неисправностей и возгоранию.

Соответствующее заземление устройства должно быть выполнено квалифицированными специалистами.

- Неправильное заземление может привести к поражению электрическим током, возгоранию, взрыву или неисправности в следствие электрического шума. Не подсоединяйте провод заземления к газопроводу, водопроводу, громоотводу или линии заземления телефонной проводки.

10-1. Перед электромонтажными работами

- При выполнении электромонтажных работ пользуйтесь руководством по монтажу внутреннего блока или блока управления.
- При выполнении подключений учитывайте внешние факторы (температура окружающего воздуха, прямой солнечный свет, дождевая вода).
- При открывании или закрывании передней панели следует принять меры по предотвращению их контакта с внутренними компонентами.
- В некоторых регионах могут предъявляться специальные требования к проводке.
- Проводка блоков разъемов наружного и внутреннего блоков должна иметь запас по длине, поскольку при проведении технического обслуживания иногда возникает необходимость их снятия.

10-2. Характеристики силовых кабелей и устройств

ПРЕДОСТЕРЕЖЕНИЕ

Силовые кабели должны прокладываться с небольшим запасом.

- В противном случае это может привести к их разрыву или перегреву, что может стать причиной возгорания или задымления.

Установите автоматический выключатель на блок питания каждого устройства.

- В противном случае это может стать причиной поражения электрическим током.

Используйте только прерыватели с верными значениями тока (прерыватель замыкания на землю, вводной выключатель <переключатель + предохранитель, отвечающий местным требованиям электробезопасности> или максимальный прерыватель).

- В противном случае это может стать причиной поражения электрическим током, неполадок, задымления или возгорания.

Используйте только стандартные провода питания с рекомендованными характеристиками.

- В противном случае это может стать причиной утечки тока, перегрева, задымления или возгорания.

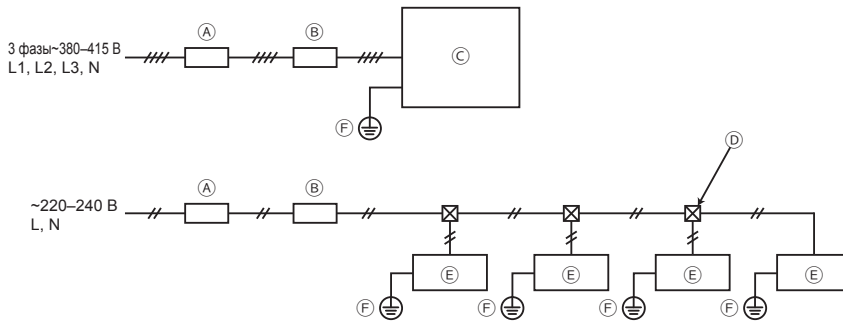
Затяните все клеммные винты указанным моментом.

- Ослабленные винты и неправильные соединения могут стать причиной задымления или возгорания.

ВНИМАНИЕ

Большой ток из-за неисправности или повреждения проводки может привести к срабатыванию автоматических выключателей защиты от утечки тока на стороне блока и на стороне источника питания. В зависимости от важности системы отделите систему источника питания или выполните согласование установок автоматических выключателей.

• Пример



- (A) Прерыватель замыкания на землю
- (B) Вводной выключатель (максимальный прерыватель и прерыватель замыкания на землю)
- (C) Наружный блок
- (D) Распределительная коробка
- (E) Внутренний блок
- (F) Заземление

- Используйте надлежащий тип максимального прерывателя. Помните, что при перегрузке по току может присутствовать и постоянный ток.
- Выберите тип прерывателя для цепи инвертера, такого как прерыватель замыкания на землю. (Mitsubishi Electric серии NV-S или аналогичный)
- Прерыватель замыкания на землю должен использоваться совместно с вводным выключателем.
- Устанавливайте вводной выключатель с минимальным расстоянием между контактами 3 мм (1/8 д.) на каждом полюсе.
- Не подключайте силовые кабели L1, L2 и L3 к N. Проверьте правильность подключения фаз.
- Если провод питания поврежден, производитель, обслуживающий персонал производителя или квалифицированный персонал должен его заменить, чтобы исключить опасность для пользователей.
- Используйте отдельные кабели питания для наружного и внутреннего блоков. Убедитесь в том, что ОС и ОС снабжены отдельной проводкой.
- Размер кабеля питания, характеристики устройства и сопротивление системы (если требованиями местных законодательств не определены иные характеристики минимального размера кабеля или характеристик устройства, соблюдайте значения, представленные в таблице ниже).

| | | Минимальный размер [мм ² (СРЕДН.)] | | | Прерыватель замыкания на землю | Вводной выключатель (A) | | Максимальный прерыватель (NFB) (A) | Максимально допустимое сопротивление системы |
|-------------------------------------|--------------|---|---|-------------------|-----------------------------------|-------------------------|------------------------|------------------------------------|--|
| | | Силовой кабель | Силовой кабель после точки разветвления | Провод заземления | | Мощность | Плавкий предохранитель | | |
| Наружный блок | (E)P200 | 4,0 (12) | – | 4,0 (12) | 30 А, 100 мА, 0,1 сек. или меньше | 25 | 25 | 30 | *3 |
| | (E)P250 | 4,0 (12) | – | 4,0 (12) | 30 А, 100 мА, 0,1 сек. или меньше | 32 | 32 | 30 | *3 |
| | (E)P300 | 4,0 (12) | – | 4,0 (12) | 30 А, 100 мА, 0,1 сек. или меньше | 32 | 32 | 30 | *3 |
| | (E)P350 | 6,0 (10) | – | 6,0 (10) | 40 А, 100 мА, 0,1 сек. или меньше | 40 | 40 | 40 | 0,27 Ом |
| | (E)P400 | 10,0 (8) | – | 10,0 (8) | 60 А, 100 мА, 0,1 сек. или меньше | 63 | 63 | 60 | 0,22 Ом |
| | (E)P450 | 10,0 (8) | – | 10,0 (8) | 60 А, 100 мА, 0,1 сек. или меньше | 63 | 63 | 60 | 0,19 Ом |
| | (E)P500 | 10,0 (8) | – | 10,0 (8) | 60 А, 100 мА, 0,1 сек. или меньше | 63 | 63 | 60 | 0,16 Ом |
| Общий рабочий ток внутренних блоков | F0 ≤ 16 А *1 | 1,5 (16) | 1,5 (16) | 1,5 (16) | Чувствительность по току 20 А *2 | 16 | 16 | 20 | (IEC 61000-3-3) |
| | F0 ≤ 25 А *1 | 2,5 (14) | 2,5 (14) | 2,5 (14) | Чувствительность по току 30 А *2 | 25 | 25 | 30 | (IEC 61000-3-3) |
| | F0 ≤ 32 А *1 | 4,0 (12) | 4,0 (12) | 4,0 (12) | Чувствительность по току 40 А *2 | 32 | 32 | 40 | (IEC 61000-3-3) |

*1 В качестве значения F0 используйте большее из значений F1 и F2.

F1 = Общий максимальный ток каждого внутреннего блока × 1,2

F2 = {V1 × (количество типа 1)/C} + {V1 × (количество типа 2)/C} + {V1 × (количество типа 3)/C} + {V1 × (количество типа 4)/C}

*2 Чувствительность по току вычисляется по следующей формуле.

G1 = (V2 × количество типа 1) + (V2 × количество типа 2) + (V2 × количество типа 3) + (V2 × количество типа 4) + (V3 × длина силового кабеля (км))

*3 Отвечает техническим требованиям IEC 61000-3-3.

| Внутренний блок | | V1 | V2 |
|-----------------|--|------|-----|
| Тип 1 | PLFY-VBM, PMFY-VBM, PEFY-VMS, PCFY-VKM, PKFY-VHM, PKFY-VKM, PFFY-VKM, PFFY-VLRMM | 18,6 | 2,4 |
| Тип 2 | PEFY-VMA | 38 | 1,6 |
| Тип 3 | PEFY-VMHS | 13,8 | 4,8 |
| Тип 4 | Внутренний блок, не соответствующий указанному выше | 0 | 0 |

«С» является кратным значением тока отключения при 0,01 с. Рассчитайте значение «С» исходя из характеристик отключения выключателя, использующегося на месте установки.

<Пример расчета «F2»>

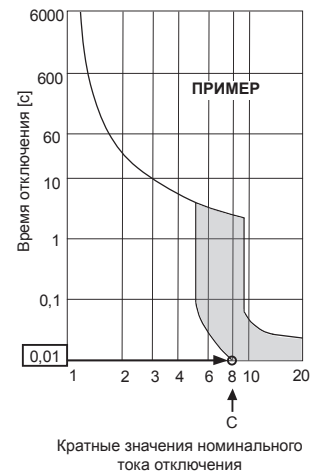
Условия: PEFY-VMS × 4 блока, PEFY-VMA × 1 блок, «С» = 8 (см. диаграмму примеров.)

$$F2 = 18,6 \times 4/8 + 38 \times 1/8$$

$$= 14,05$$

→ Используйте выключатель с номиналом 16 А. (Ток отключения = 8×16 А при 0,01 с)

Диаграмма примеров



| Размер силового кабеля [мм ² (СРЕДН.)] | V3 |
|---|----|
| 1,5 (16) | 48 |
| 2,5 (14) | 56 |
| 4,0 (12) | 66 |

| G1 | Чувствительность по току |
|------------------|-----------------------------|
| 30 мА или меньше | 30 мА, 0,1 сек. или меньше |
| 100 мА или менее | 100 мА, 0,1 сек. или меньше |

- Приведенное сечение провода соответствует минимальному значению для проводки в металлическом трубопроводе. В случае падения напряжения следует использовать провод следующего большего сечения. Убедитесь, что падение напряжения не превышает 10%. Убедитесь, что асимметрия напряжений фаз составляет 2% или менее.
- Для питания устройств, предназначенных для использования вне помещений, следует применять кабели с характеристиками не ниже гибкого кабеля с полихлоропропеновой изоляцией (тип 60245 IEC57). Например, используйте провод YZW.
- Данный блок предназначено для подключения к электросети с максимально разрешенным сопротивлением системы в точке подключения (блок энергоснабжения) источника питания пользователя, не превышающим значения, указанного в приведенной выше таблице.
- Пользователь обязан проследить за выполнением данного условия. При необходимости пользователь обязан запросить данные по сопротивлению у компании-поставщика электроэнергии.
- Данный блок соответствует стандарту IEC 61000-3-12 при условии, что мощность при коротком замыкании S_{sc} выше или равна $S_{sc} (*1)$ на стыковочном устройстве между источником пользователя и электросетью. Ответственность по обеспечению соответствия электропитания данным требованиям (мощность короткого замыкания S_{sc} выше или равна $S_{sc} (*1)$) лежит на пользователе или установщике оборудования (при необходимости пользователь или установщик обязан проконсультироваться со специалистами компании-поставщика электроэнергии).

*1 S_{sc}

| Модель | S_{sc} (MVA) |
|--------|----------------|
| P200 | 1,25 |
| P250 | 1,38 |
| P300 | 1,76 |
| P350 | 2,05 |
| P400 | 2,48 |
| P450 | 2,88 |
| P500 | 3,39 |

| Модель | S_{sc} (MVA) |
|--------|----------------|
| EP200 | 1,25 |
| EP250 | 1,27 |
| EP300 | 1,58 |
| EP350 | 1,87 |
| EP400 | 2,19 |
| EP450 | 2,62 |
| EP500 | 3,17 |

10-3. Характеристики кабеля дистанционного управления

- Кабель передачи данных

| | |
|------------|---|
| Тип | 2-жильный экранированный кабель CVVS, CPEVS или MVVS |
| Размер | 1,25 мм ² (СРЕДН. 16), или \varnothing 1,2 мм или больше |
| Длина | Макс. 200 м (656 фут.) |
| Примечания | Максимально допустимая длина кабеля передачи данных для внешних блоков (оба кабеля передачи данных центрального пульта управления и наружные/внутренние кабели передачи данных) составляет 500 м (1640 фут.) ^{*1} . Максимально допустимая длина кабелей передачи данных от источника питания до каждого наружного блока или до пульта системы составляет 200 м (656 фут.). |

* Не используйте один многожильный кабель для соединения внутренних блоков разных систем хладагента. Использование одного многожильного кабеля может привести к ошибкам в передаче данных и последующим неисправностям.

* Удлиненная секция кабеля также должна быть тщательно экранирована.

*1 При наращивании кабелей передачи данных до 1000 м (3280 футов) проконсультируйтесь с дилером.

- Кабель пульта дистанционного управления

| | | |
|--------|--|--|
| | Кабель пульта дистанционного управления ME | Кабель пульта дистанционного управления MA |
| Тип | Изолированный 2-жильный кабель (неэкранированный) CVV | |
| Размер | 0,3–1,25 мм ² (СРЕДН. 22–16) (0,75–1,25 мм ² (СРЕДН. 18–16) при соединении с простым пультом дистанционного управления) | |
| Длина | Макс. 10 м (32 фут.) * Если длина превышает 10 м (32 фут.), воспользуйтесь экранированным проводом сечением 1,25 мм ² (СРЕДН. 16). | Макс. 200 м (656 фут.) |

10-4. Конфигурация системы

- Код блока и максимальное количество подключаемых блоков

| Тип блока | Код | Количество подключаемых блоков |
|---------------------------------|------------------|--------------------------------|
| Наружный блок | Основной блок | OC |
| | Подчиненный блок | OS1, OS2 |
| Внутренний блок | IC | 1 – 26 блоков на OC |
| Пульт дистанционного управления | RC | 0 – 2 блока на группу |
| Усилитель сигнала | RP | 0 – 1 блок на OC |

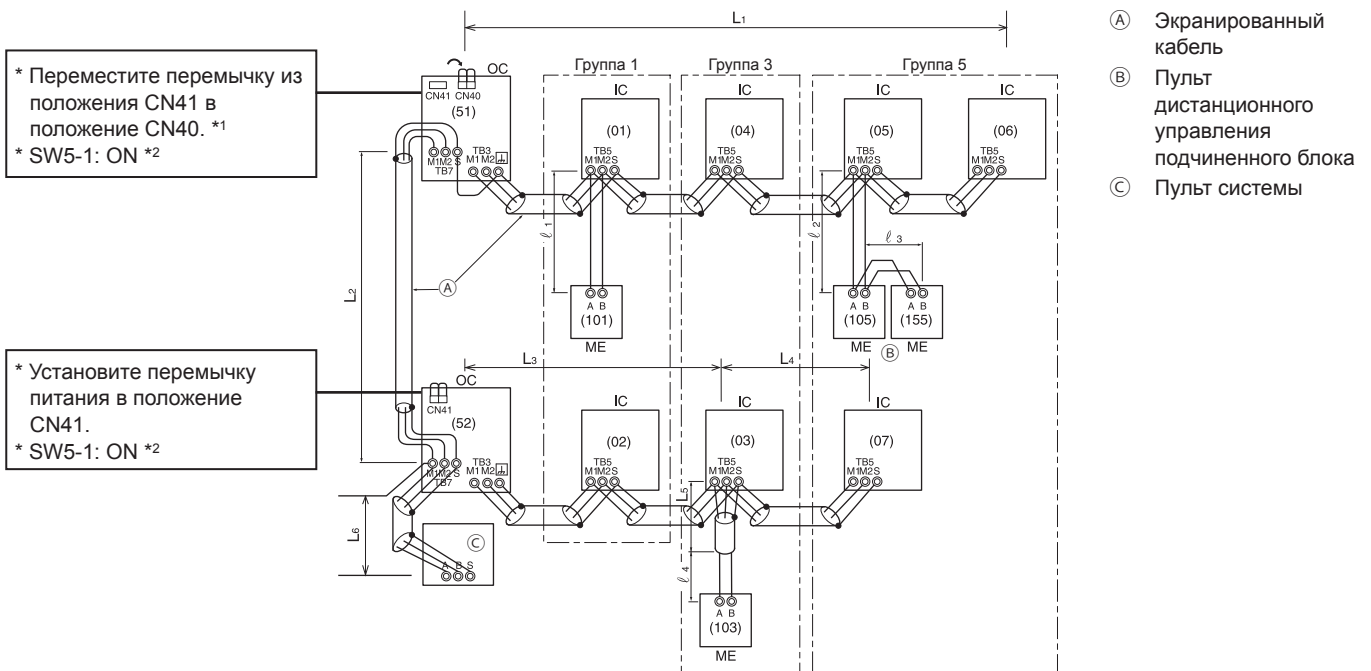
* В зависимости от количества подсоединенных внутренних блоков может понадобиться усилитель сигнала.

* Наружные блоки одной системы хладагента, автоматически определяются как OC, OS1, OS2. Наружные блоки определяются как OC, OS1 и OS2 в порядке снижения уровня производительности (если два или более блоков имеют одинаковую производительность, в этом случае – в порядке возрастания номеров).

• Пример конфигурации системы

* Величины в скобках на представленных ниже рисунках означают номера.

(1) При подключении пультов дистанционного управления МЕ



*1 Если блок питания не подключен к кабелю централизованной системы управления, переместите перемычку из положения CN41 в положение CN40 только на одном внешнем блоке.

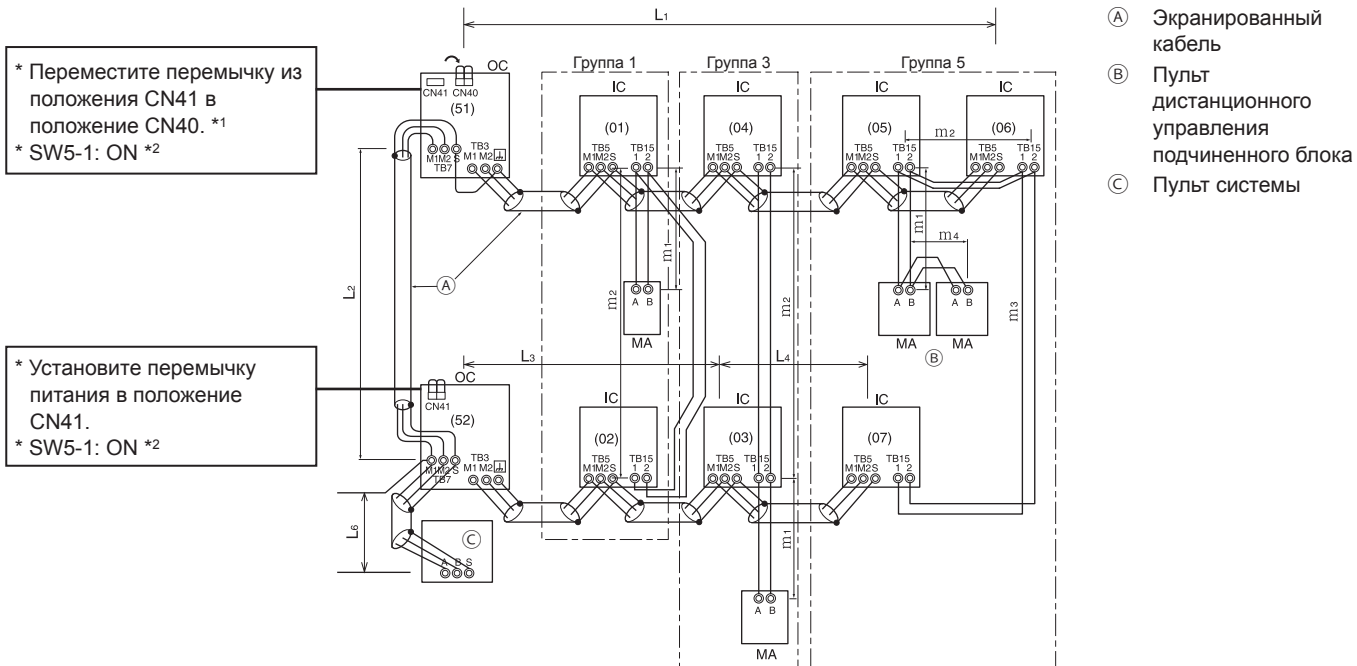
*2 Если используется пульт системы, переведите выключатель SW5-1 всех наружных блоков в положение ON.

Максимально допустимая длина кабелей пульта управления

| | |
|--|--|
| Кабели передачи данных для наружных блоков | $L_1 + L_2 + L_3 + L_4, L_1 + L_2 + L_3 + L_5, L_1 + L_2 + L_6 \leq 500$ м (1640 фут.) ^{*3} |
| Кабели передачи данных | $L_1, L_3 + L_4, L_3 + L_5, L_6, L_2 + L_6 \leq 200$ м (656 фут.) |
| Кабели пульта дистанционного управления | $l_1, l_2, l_3, l_4 \leq 10$ м (32 фут.) * В случае превышения значения длины 10 м (32 фут.), избыточную длину необходимо включать в максимально допустимую длину кабелей передачи данных выше. |

*3 При наращивании кабелей передачи данных до 1000 м (3280 футов) проконсультируйтесь с дилером.

(2) При подключении пультов дистанционного управления МА



*1 Если блок питания не подключен к кабелю централизованной системы управления, переместите переключку из положения CN41 в положение CN40 только на одном внешнем блоке.

*2 Если используется пульт системы, переведите выключатель SW5-1 всех наружных блоков в положение ON.

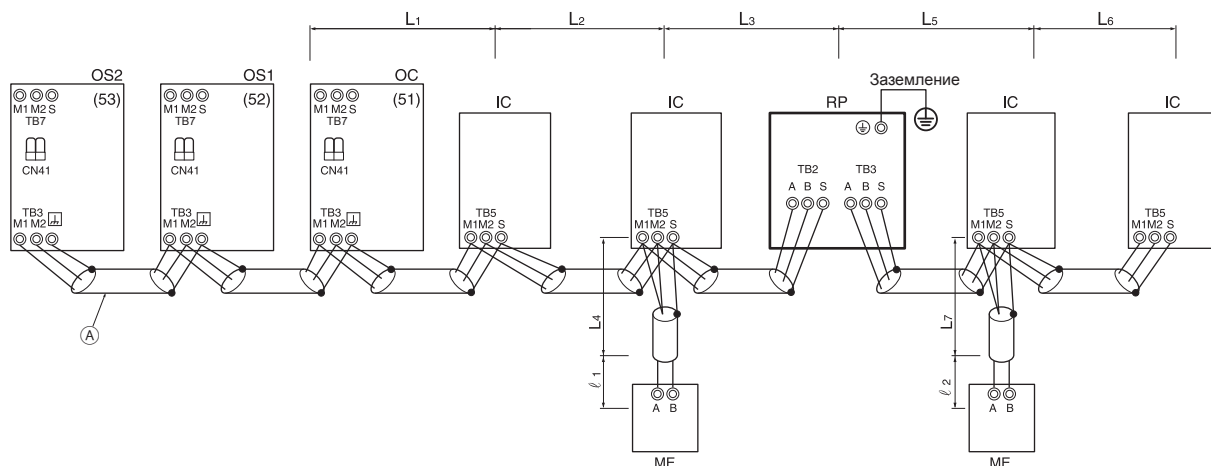
*3 При подключении PAR-31MAA к группе подключение других пультов дистанционного управления МА к этой группе невозможно.

Максимально допустимая длина кабелей пульта управления

| | |
|--|--|
| Кабели передачи данных для наружных блоков | $L_1 + L_2 + L_3 + L_4$, $L_1 + L_2 + L_6 \leq 500$ м (1640 фут.) ^{*4} |
| Кабели передачи данных | L_1 , $L_3 + L_4$, L_6 , $L_2 + L_6 \leq 200$ м (656 фут.) |
| Кабели пульта дистанционного управления | $m_1 + m_2$, $m_1 + m_2 + m_3 + m_4 \leq 200$ м (656 фут.) |

*4 При наращивании кабелей передачи данных до 1000 м (3280 футов) проконсультируйтесь с дилером.

(3) В случае подключения усилителя сигнала



(A) Экранированный кабель

*1 Клеммы (ТВ3) наружных блоков одной холодильной системы подсоединяются друг к другу последовательно.

*2 Установите переключку питания в положение CN41.

Максимально допустимая длина кабелей пульта управления

| | |
|---|---|
| Кабели передачи данных | $L_1 + L_2 + L_3 + L_5 + L_6$, $L_1 + L_2 + L_3 + L_5 + L_7$, $L_1 + L_2 + L_4$, $L_6 + L_5 + L_3 + L_4$, $L_4 + L_3 + L_5 + L_7 \leq 200$ м (656 фут.) |
| Кабели пульта дистанционного управления | l_1 , $l_2 \leq 10$ м (32 фут.) * В случае превышения значения длины 10 м (32 фут.), избыточную длину необходимо включать в максимально допустимую длину кабелей передачи данных выше. |

10-5. Подключение проводов блока управления

! ПРЕДОСТЕРЕЖЕНИЕ

Соединения на клеммах должны быть надежно затянуты соответствующим моментом.

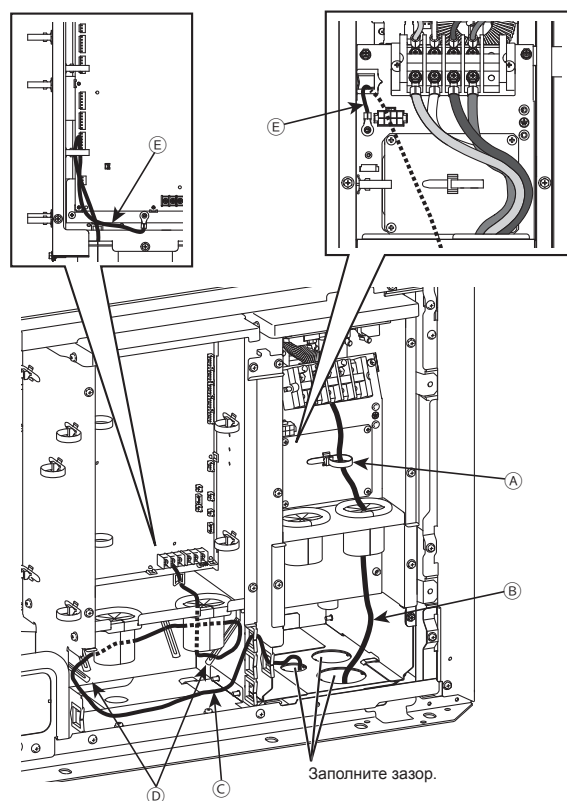
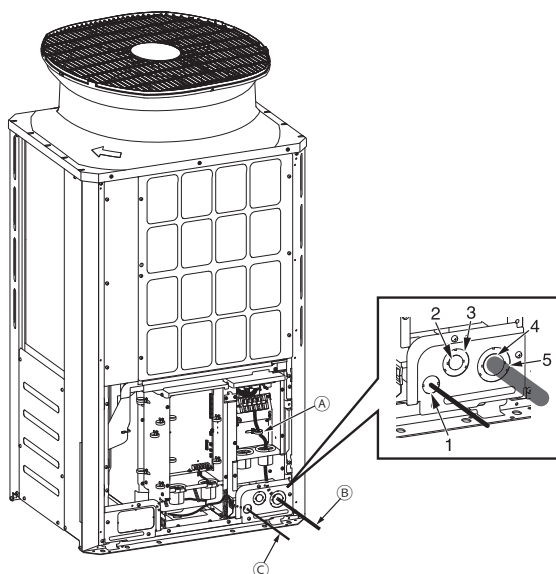
- Неправильное подключение кабелей может привести к их разрыву или перегреву, что может стать причиной возгорания или задымления.

10-5-1. Прокладка кабеля питания через выбивное отверстие

- Для прокладки проводов откройте фронтальную панель.
- Выберите технологические заготовки отверстий в нижней части фронтальной панели или основания молотком. Делайте отверстие размером, соответствующим размеру кабеля питания, см. таблицу ниже.

(1) При подводке проводки к блоку с фронтальной части

(2) При подводке проводки к блоку снизу



| Размер силового кабеля (мм ²) | Размер выбивного отверстия |
|---|----------------------------|
| 2, 3, 5, 5, 5 | Выбивное отверстие 2 |
| 8, 14 | Выбивное отверстие 4 |
| 21, 26, 33 | Выбивное отверстие 3 |
| 84, 67, 53 | Выбивное отверстие 5 |

- (A) Кабельный хомут
- (B) Силовой кабель
- (C) Кабель передачи данных
Длина отрезка после прохождения отверстия для кабеля должна составлять не меньше 1100 мм (43 д.).
- (D) Зажим
- (E) Заземлите провод, соединяющий основной блок и блок инвертора

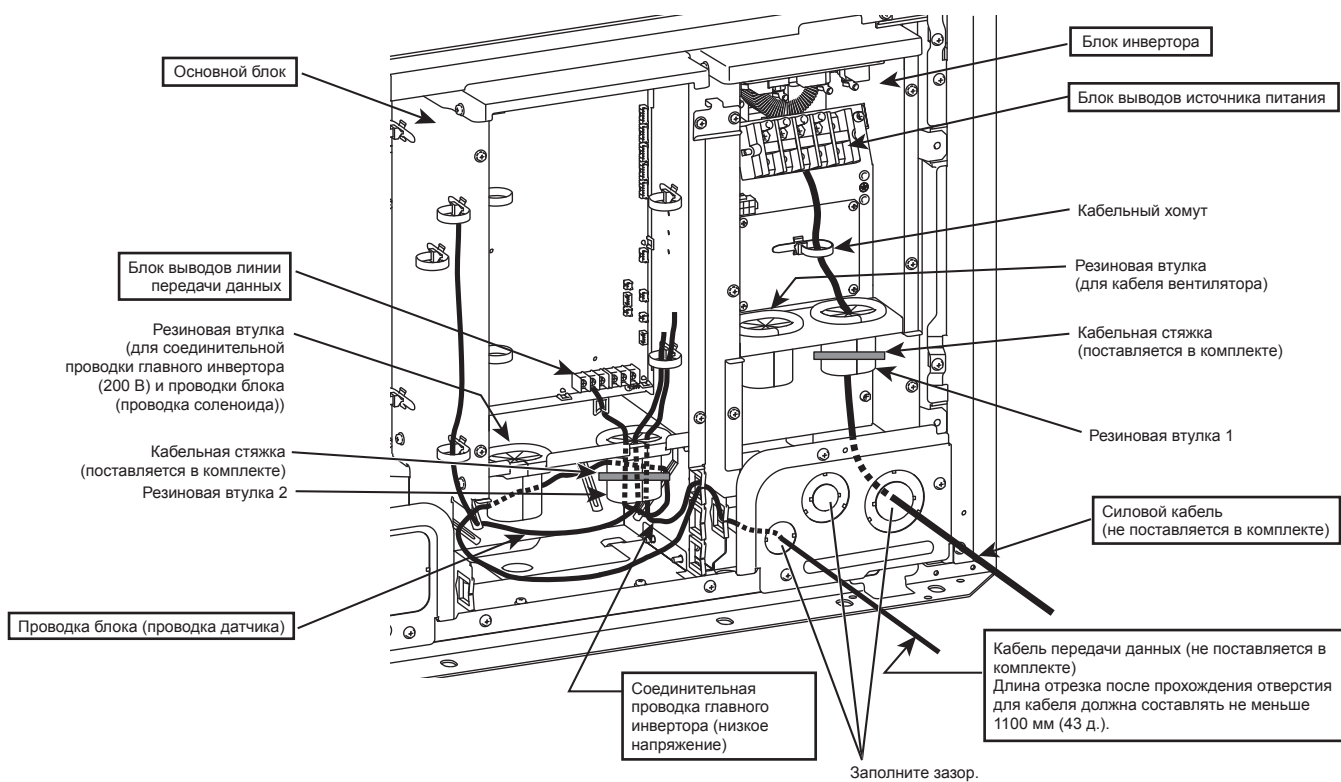
<Примечание>

- Не удаляйте провод заземления, соединяющий основной блок и блок инвертора.
- Установите кабель передачи данных как показано на рисунке выше, чтобы длины кабеля хватало для перемещения основного блока во время сервисного обслуживания.
- Если вокруг силового кабеля и кабеля передачи данных остается свободное пространство, обязательно заполните его подходящим материалом для предотвращения попадания внутрь снега, который может повредить электродетали, а также для защиты рук от прямого контакта с кабелями.
- При прокладке силового кабеля через выбивное отверстие без использования кабелепровода, удалите острые выступы отверстия и обмотайте кабель защитным материалом.
- Трубой для прокладки электрических проводов уменьшите диаметр выбивного отверстия, чтобы предотвратить проникновение в блок мелких животных.
- При извлечении трубы для прокладки электрических проводов из нижней части блока закройте отверстие для трубы, чтобы предотвратить проникновение внутрь воды.

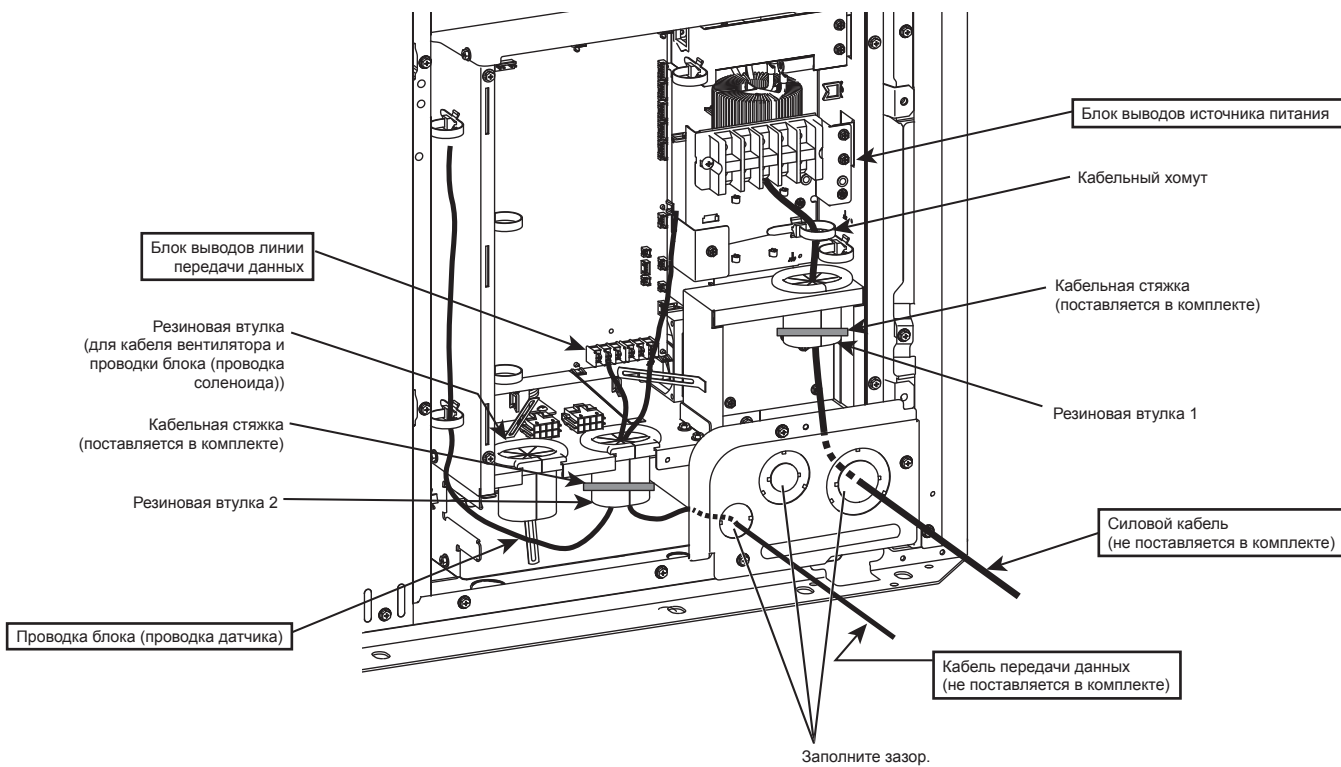
10-5-2. Крепление кабеля

Проложите кабели, как показано на рисунках внизу.

• (E)P200 – 300



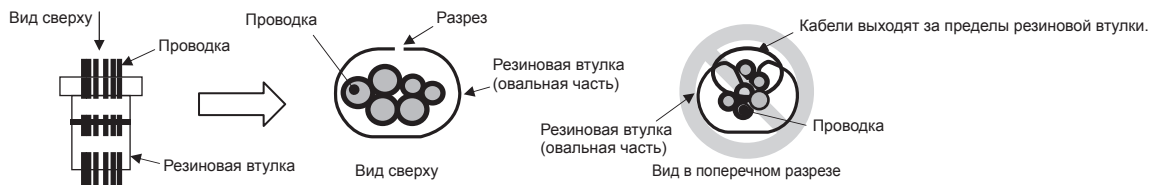
• (E)P350 – 500



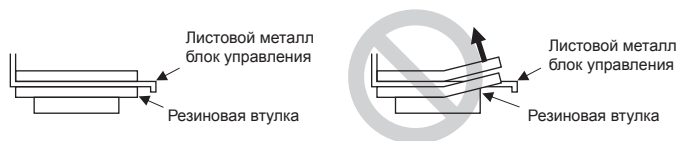
Выполните следующую процедуру.

- ① Пропустите силовой кабель через резиновую втулку 1. (См. *1 и *2 ниже.)
- ② Пропустите проводку блока (проводка датчика) и кабель передачи данных через резиновую втулку 2. (См. *1 и *2 ниже.)
- ③ Кабельными хомутами закрепите кабель питания и кабель передачи данных.
- ④ Закрепите обе резиновые втулки прилагаемыми стяжками. (См. *3 ниже.)

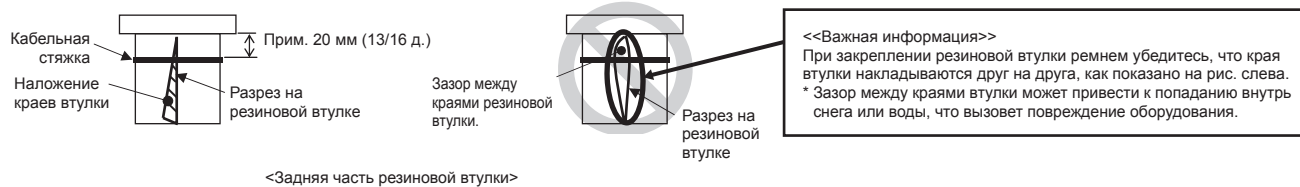
*1 Убедитесь, что все кабели проходят внутри резиновой втулки.



*2 Во время пропускания кабелей через резиновую втулку следите за тем, чтобы втулка не слетела с листового металла блока управления.

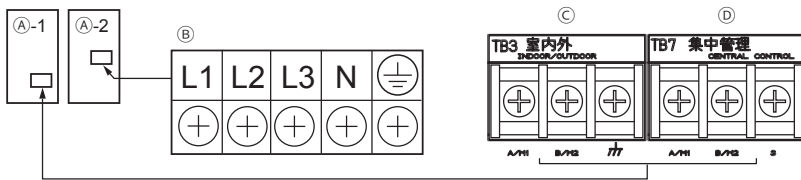


*3 При закреплении резиновой втулки прилагаемым ремнем не оставляйте зазора между краями втулки.

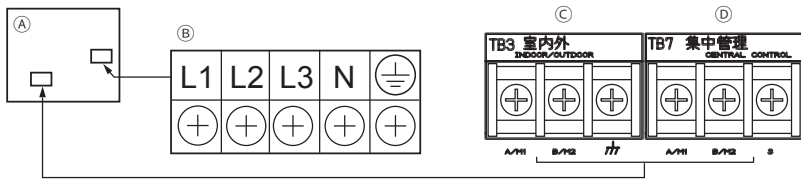


10-5-3. Подключение кабелей

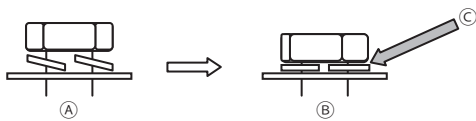
PUNY-(E)P200 – 300YNW-A



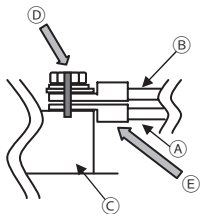
PUNY-(E)P350 – 500YNW-A



- Ⓐ Блок управления
- Ⓑ Блок выводов источника питания (TB1)
- Ⓒ Блок выводов (TB3) кабеля передачи данных «внутренний блок - наружный блок»
- Ⓓ Блок выводов кабеля передачи данных центрального пульта (TB7)



- Ⓐ Блок вывода с незатянутыми винтами
- Ⓑ Правильно установленный блок вывода
- Ⓒ Пружинные шайбы должны быть расположены параллельно блоку вывода.



- Ⓐ Кабели питания, кабели передачи данных
- Ⓑ Гирляндное подключение (только кабели передачи данных)
- Ⓒ Блоки вывода (TB1, TB3, TB7)
- Ⓓ Нанесите установочную риску.
- Ⓔ Установите круглые клеммы тыльными сторонами друг к другу.

<Примечание>

- Подсоедините кабели к блоку выводов источника питания и блоку выводов линии передачи данных соответственно. Неправильное подсоединение вызовет неисправность системы.
- Не подключайте кабель питания к блоку вывода линии передачи данных. Это приведет к выходу из строя электрических компонентов.
- Кабели передачи данных должны быть расположены на расстоянии 5 см (2 д.) или более от силового кабеля во избежание негативного воздействия помех от силового кабеля. (Не размещайте кабели передачи данных и кабель питания в одном кабелепроводе).
- Соблюдайте момент затяжки каждого типа винта, см. ниже. Не затягивайте винты чрезмерно большим моментом, это может привести к их повреждению.
 Блок вывода (TB1 (винт M6)): 2,5–2,9 [Нм]
 Блок вывода (TB3, TB7 (винт M3,5)): 0,82–1,0 [Нм]
- При затяжке винтов не нажимайте слишком сильно на головку во избежание повреждения винта.
- Нанесите установочную риску перманентным маркером вдоль головки винта, шайбы и клеммы после затягивания винта.

Выполните приведенную ниже процедуру для подключения кабелей.

- ① Подключите внутренний-наружный кабель передачи данных к клемме TB3.
 Если наружные блоки составляют единую систему хладагента, последовательно подключите их выводы TB3 (M1, M2, заземление). Подсоедините кабель передачи данных между внутренним блоком и наружным блоком для наружных блоков к выводам TB3 (M1, M2, заземление) одного из наружных блоков. Экранируйте клемму заземления.
- ② Подключите кабели передачи данных централизованного пульта управления (между централизованной системой управления и наружными блоками разных систем охлаждения) к TB7.
 Если наружные блоки составляют единую систему хладагента, последовательно подключите их выводы TB7 (M1, M2, S) ко всем наружным блокам. *1 Экранируйте клемму S.
 *1 Если выводы TB7 наружных блоков единой системы не подключены последовательно, подсоедините кабель передачи данных центрального пульта к выводу TB7 на ОС. Если ОС неисправен или центральный пульт подключался в момент отключения электричества, подсоедините последовательно выводы TB7 ОС, OS1 и OS2. (если наружный блок, переключатель питания CN41 которого на пульте управления была заменена на CN40, неисправна или отсутствует питание, централизованное управление не будет выполняться, даже если выводы TB7 подключены последовательно).
- ③ Если блок питания не подключен к кабелю централизованной системы управления, переместите переключатель на плате управления (главной плате) из положения CN41 в положение CN40 только на одном внешнем блоке.
- ④ На внешнем блоке, переключатель питания которого была заменена с CN41 на CN40, дополнительно

подсоедините клемму S и клемму заземления.

- ⑤ Подсоедините выводы M1 и M2 блока выводов передачи данных внутреннего блока с последним адресом в одной группе с блоком выводов пульта дистанционного управления.
- ⑥ Если используется пульт системы, переведите выключатель SW5-1 всех наружных блоков в положение ON.
- ⑦ Кабельными хомутами надежно закрепите кабели в нижней части блока выводов.

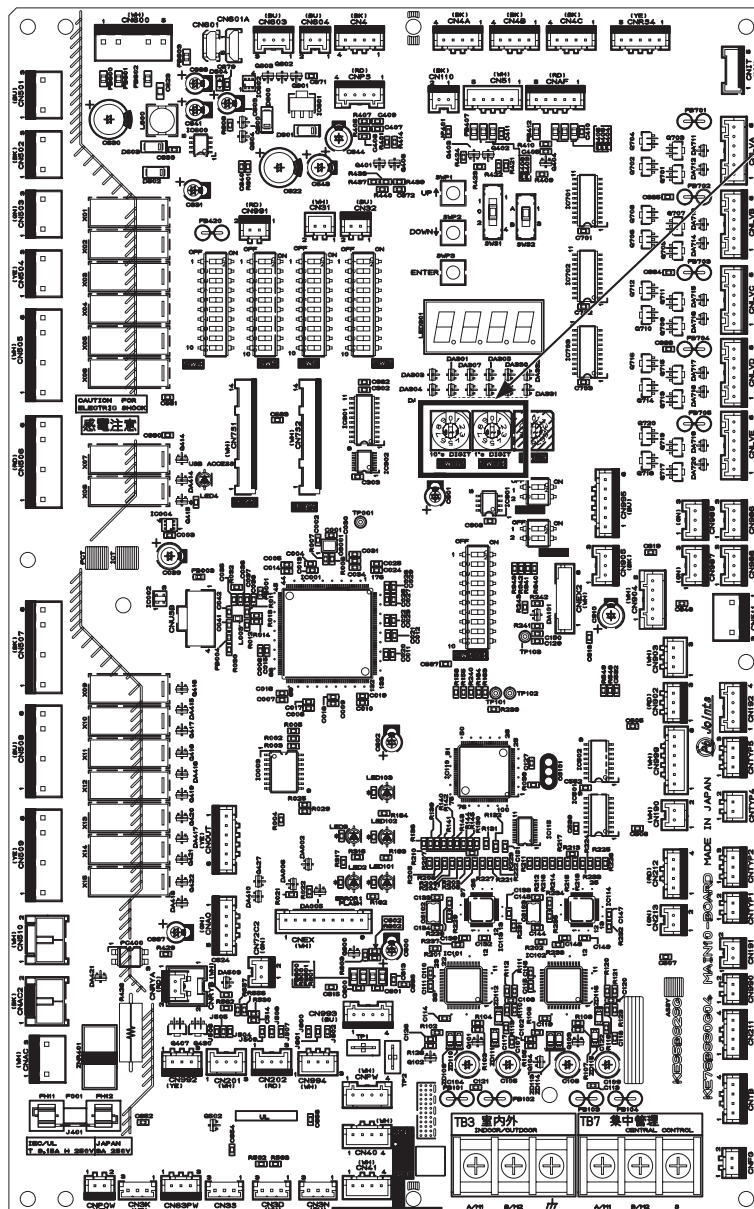
10-6. Назначения адреса

- Установите переключатели адресов следующим образом.

| | | Способ назначения адреса | Адрес |
|--|-------------|--|-----------|
| Внутренний блок (главный, подчиненный) | | Назначьте самый последний адрес главного внутреннего блока в группе, затем назначьте последовательные адреса остальным внутренним блокам той же группы. | 01 - 50 |
| Наружный блок (OC, OS1, OS2) | | Назначьте последовательные адреса наружным блокам одной системы хладагента. * Для назначения адреса 100 установите переключатель адреса в положение 50. | 51 - 100 |
| Пульт дистанционного управления ME | Главный | Назначьте адрес, соответствующий адресу главного внутреннего блока группы плюс 100. | 101 - 150 |
| | Подчиненный | Назначьте адрес, соответствующий адресу главного внутреннего блока группы плюс 150. | 151 - 200 |
| Пульт дистанционного управления MA | | Назначение адреса не требуется. (Требуется назначение для главного/подчиненного блока). | - |

* Наружные блоки одной системы хладагента, автоматически определяются как OC, OS1, OS2. Наружные блоки определяются как OC, OS1 и OS2 в порядке снижения уровня производительности (если два или более блоков имеют одинаковую производительность, в этом случае – в порядке возрастания номеров).

* Выполните назначение адреса для группы внутреннего блока при помощи пультов дистанционного управления после включения питания всех блоков.



Переключатель настройки адреса
(наружные блоки)

11. Тестовый запуск

11-1. Перед тестовым запуском

ВНИМАНИЕ

По завершении монтажа электропроводки измерьте сопротивление изоляции, оно должно составлять минимум 1 МОм.

- В противном случае это может стать причиной утечки тока, неполадок или возгорания.

Подключите электропитание не менее чем за 12 часов до начала работы. В течение рабочего сезона питание устройства должно быть включено.

- Недостаточная мощность может стать причиной повреждения.

- Перед выполнением тестового запуска выключите питание наружного блока и отключите кабель питания от блока вывода источника питания для измерения сопротивления изоляции.
- Омметром 500 В измерьте сопротивление изоляции между блоком выводов источника питания и землей. Убедитесь, что сопротивление составляет не менее 1 МОм.
- Если сопротивление изоляции ниже 1 МОм или же выше, подключите кабель питания к блоку вывода источника питания, затем включите питание минимум за 12 часов до запуска блока. Если сопротивление изоляции ниже 1 МОм, не включайте блок, проверьте заземление компрессора.
- Пока блок включен, компрессор будет находиться под напряжением даже после его остановки.
- Сопротивление изоляции между блоком вывода источника питания и заземления может упасть до 1 МОм сразу же после установки или в случае отключения питания блока в течение длительного времени простоя хладагента в компрессоре.
- При включении питания и подаче напряжения на блок в течение 12 часов или дольше хладагент в компрессоре испарится и сопротивление изоляции возрастет.
- Не применяйте напряжение омметра на блок вывода для кабелей передачи данных. Это может привести к повреждению платы управления.
- Не измеряйте сопротивление изоляции блока вывода передачи данных пульта дистанционного управления.
- Проверьте, нет ли утечки хладагента, также проверьте плотно ли подключены кабели питания и кабели передачи данных.
- Проверьте, полностью ли открыты сервисные клапаны стороны жидкого и газообразного хладагента. Затяните штуцеры клапанов.
- Проверьте последовательность фаз источника питания и межфазное напряжение. Если напряжение больше $\pm 10\%$, или же если небаланс напряжения составляет более 2%, обратитесь к заказчику.
- При подключении усилителя сигнала включите усилитель сигнала перед тем, как включать наружный блок. При выключении сначала наружного блока, сведения о подключении контура хладагента не удастся проверить. В случае выключения сначала наружного блока включите усилитель сигнала, затем перезапустите наружный блок.
- Если блок питания не подключен к кабелю централизованной системы управления, или в случае если питание подается через пульт системы с использованием функции подачи питания, выполните тестовый запуск при включенном блоке питания. Установите переключку питания в положение CN41.
- В случае включения питания или после восстановления подачи питания, производительность может быть пониженной примерно в течение 30 минут.

11-2. Настройка функций

Настраивайте функции при помощи переключателей SW4, SW6 и SWP3 на главной панели.

Запишите настройки переключателей в таблицу на электрической схеме на лицевой панели блока управления для дальнейшего использования; эти данные могут понадобиться при замене блока управления.

- Ниже описана процедура настройки датчика снега. (Блок управления датчика снега не будет работать при показании датчика наружной температуры (TH7) равном 6°C (43°F) или выше.)

- ① Установите 10-й бит переключателя SW6 в положение ON.
- ② Установите переключатель SW4 как указано в таблице ниже для выбора настройки № 933 или 934. (№ элемента настройки будет отображен на индикаторе LED1.)
- ③ Нажмите и удерживайте переключатель SWP3 в течение двух секунд или дольше для изменения настроек. (Настройки можно проверить с помощью индикатора LED3).

| | Номер элемента настройки | SW4 0: OFF (ВЫКЛ), 1: ON (ВКЛ) *1 | | | | | | | | | | Настройка (отображение индикатором LED3) *2 | |
|-------------------------|--------------------------|-----------------------------------|---|---|---|---|---|---|---|---|----|---|--------------------------------|
| | | 1 | 2 | 3 | 4 | 5 | 6 | 7 | 8 | 9 | 10 | Не горит | Горит |
| Настройка датчика снега | 933 | 1 | 0 | 1 | 0 | 0 | 1 | 0 | 1 | 1 | 1 | № 934 выключен | № 934 включен |
| | 934 | 0 | 1 | 1 | 0 | 0 | 1 | 0 | 1 | 1 | 1 | Непрерывная работа вентилятора | Прерывистая работа вентилятора |

*1 Измените настройку переключателя SW4 после включения блока.

*2 Мигает во время запуска системы.

- Настраивайте функции при помощи переключателей SW5 и SW6, см. таблицу ниже.

| | Описание настройки | Настройка | | Время изменения настройки переключателя |
|-------|---------------------------------------|--|--|---|
| | | OFF (ВЫКЛ) | ON (ВКЛ) | |
| SW5-1 | Переключатель центрального управления | Без соединения с центральным пультом управления | С соединением с центральным пультом управления | Перед подачей питания |
| SW5-2 | Удаление информации про соединение | Обычное управление | Удаление | Перед подачей питания |
| SW5-3 | – | Предварительная установка перед отправкой с завода | | – |
| SW5-4 | – | | | – |
| SW5-5 | – | | | – |
| SW5-6 | – | | | – |
| SW5-7 | – | | | – |
| SW5-8 | – | | | – |

| | Описание настройки | Настройка | | Время изменения настройки переключателя |
|--------|---|------------------------------------|-------------------------------|---|
| | | OFF (ВЫКЛ) | ON (ВКЛ) | |
| SW6-1 | – | – | – | – |
| SW6-2 | – | – | – | – |
| SW6-3 | – | – | – | – |
| SW6-4 | Настройка высокого статического давления | См. *1. | См. *1. | Перед подачей питания |
| SW6-5 | | | | |
| SW6-6 | – | – | – | – |
| SW6-7 | Выбор режима с низким уровнем шума | Приоритет производительности | Приоритет низкого уровня шума | В любой момент после подачи питания |
| SW6-8 | Выбор низкого уровня шума или потребности | Низкий уровень шума (ночной режим) | Потребность | Перед подачей питания |
| SW6-9 | Выбор отображения диагностики или подробной настройки функций | См. *2. | См. *2. | В любой момент после подачи питания |
| SW6-10 | | | | |

* Не изменяйте установленное на заводе положение переключателей с SW5-3 по SW5-8.

* Если не указано иное, оставьте переключатель, для которого указано обозначение «–», в положении OFF (ВЫКЛ).

*1

| | SW6-5: ON (ВКЛ) | SW6-5: OFF (ВЫКЛ) |
|-------------------|-----------------|-------------------|
| SW6-4: ON (ВКЛ) | 80 Па | 60 Па |
| SW6-4: OFF (ВЫКЛ) | 30 Па | 0 Па |

*2

| | SW6-10: ON (ВКЛ) | SW6-10: OFF (ВЫКЛ) |
|-------------------|------------------------------|----------------------------------|
| SW6-9: ON (ВКЛ) | LED (круглый) № 0 – 1023 | LED (7-сегментный) № 1024 – 2047 |
| SW6-9: OFF (ВЫКЛ) | Настройка функций № 0 – 1023 | LED (7-сегментный) № 0 – 1023 |

11-3. Рабочие показания относительно заправки хладагента

Важно четко понимать те или иные характеристики хладагента и рабочие показания кондиционеров воздуха перед тем как регулировать объем хладагента в определенной системе.

- В процессе охлаждения количество хладагента в аккумуляторе представлено в наименьшем объеме при одновременной работе всех внутренних блоков.
- В процессе нагрева количество хладагента в аккумуляторе представлено в наибольшем объеме при одновременной работе всех внутренних блоков.
- При недостаточном количестве хладагента температура нагнетания будет возрастать.
- Изменение количества хладагента в системе в случае наличия хладагента в аккумуляторе повлияет лишь в малой степени на изменение температуры нагнетания.
- Чем выше уровень высокого давления, тем больше вероятность повышения температуры нагнетания.
- Чем ниже уровень низкого давления, тем больше вероятность повышения температуры нагнетания.
- При достаточном количестве хладагента в системе температура поверхности компрессора должна быть на 10 – 60°C (50 – 140°F) выше температуры насыщения низкого давления. Если разница температуры поверхности компрессора и температуры насыщения низкого давления составляет 5°C (41°F) или меньше, причиной может быть чрезмерное количество хладагента.

11-4. Проверка работоспособности

Следующие проявления являются нормальными и не указывают на возникновение проблемы.

| Событие | Отображение на дисплее пульта дистанционного управления | Причина |
|--|---|---|
| Какой-либо внутренний блок не работает в режиме охлаждения или обогрева. | Мигает индикатор «Cool» или «Heat». | Прочие внутренние блоки одной системы хладагента уже запущены в ином режиме работы. |
| Жалюзи автоматически изменяют направление воздушного потока. | Обычный дисплей | В режиме охлаждения жалюзи могут автоматически перейти в режим горизонтального потока из режима вертикального потока после работы в течение 1 часа. Непосредственно после прогрева при запуске или останове жалюзи могут также временно автоматически переходить в режим горизонтального потока при оттаивании в режиме обогрева. |
| Скорость вращения вентилятора автоматически изменяется во время обогрева. | Обычный дисплей | При выключенном термостате вентилятор работает в режиме низкой скорости и автоматически переключается на установленную скорость по таймеру или при достижении заданной температуры хладагента. |
| Вентилятор останавливается в режиме обогрева. | «Defrost» | В режиме обогрева вентилятор выключен. |
| Вентилятор продолжает работать после отключения блока. | Нет сообщений | После отключения блока в режиме нагрева вентилятор работает в течение одной минуты с целью удаления остаточного тепла. |
| При запуске режима обогрева вентилятор не удастся настроить вручную. | «Stand By» | После включения режима обогрева вентилятор автоматически работает на низкой скорости в течение 5 минут или до тех пор, пока температура хладагента не достигнет значения 35 °C (95 °F). После этого вентилятор будет работать на низкой скорости в течение 2 минут до тех пор, пока не будет достигнута заданная скорость. |
| После включения главного источника питания на дисплее пульта дистанционного управления, как указано на примере справа, в течение пяти минут отображается соответствующая информация. | Будет мигать надпись «HO» или «PLEASE WAIT». | Система активируется. Дождитесь остановки мигания надписи «HO» или «PLEASE WAIT» и ее исчезновения, затем повторите попытку. |
| Дренажный насос продолжает работать после отключения блока. | Нет сообщений | Дренажный насос продолжает работать в течение трех минут после отключения блока, работавшего в режиме охлаждения. Дренажный насос запускается при обнаружении воды, даже если блок остановлен. |
| При переключении из режима обогрева в режим охлаждения и наоборот внутренний блок издает звуки. | Обычный дисплей | Это обычный звук работы контура хладагента. |
| Сразу после запуска внутренний блок издает звуки потока хладагента. | Обычный дисплей | Звук исходит от нестабилизированного потока хладагента. Это временное явление, не являющееся неисправностью. |
| Из блока, который не работает в режиме обогрева, поступает теплый воздух. | Обычный дисплей | Это происходит вследствие открытия клапана LEV внутреннего блока для предотвращения сжижения хладагента. Это не является неисправностью. |
| Дренажная вода вытекает из внешнего блока в нижней части теплообменника. | Нет сообщений | Таким образом, обеспечивается надлежащий сток дренажной воды в том случае, если дренажная вода замерзнет и останется внутри внешнего блока во время выполнения операции обогрева при низкой температуре наружного воздуха. |

12. Осмотр и техническое обслуживание

ПРЕДОСТЕРЕЖЕНИЕ

К перемещению и ремонту оборудования допускается только квалифицированный персонал. Не изменяйте и не разбирайте данное оборудование.

- В противном случае это может привести к утечке хладагента, воды, серьезным травмам, поражению электрическим током или возгоранию.
- Пока блок включен, компрессор будет находиться под напряжением даже после его остановки. Перед тем как приступить к осмотру внутренней части блока управления, необходимо отключить питание не менее чем на 10 минут и убедиться в том, что напряжение на конденсаторе разъема (RYPN) упало ниже 20 В пост. тока. (После выключения питания в системе в течение 10 минут сохраняется напряжение.)
- В блоке управления установлены высокотемпературные компоненты и компоненты под высоким напряжением. Они могут оставаться под напряжением или быть горячими даже после отключения питания.
- Выполняйте обслуживание после отключения разъемов (RYFAN1 и RYFAN2). (Перед тем как подсоединить или отсоединить разъемы, убедитесь, что вентилятор наружного блока не вращается, а напряжение не превышает 20 В пост. тока. Если вентилятор наружного блока вращается в ветреную погоду, конденсатор может накапливать заряд и приводить к поражению электрическим током. Для получения дополнительной информации см. паспортную табличку проводки).
После завершения обслуживания подсоедините разъемы (RYFAN1 и RYFAN2).
- При длительной эксплуатации блока некоторые компоненты могут быть повреждены, это может стать причиной снижения производительности или же использование блока может стать небезопасным. Для безопасного и длительного использования блока рекомендуется заключить договор на техническое обслуживание блока дилером или иным квалифицированным специалистом. При заключении подобного контракта специалисты сервисной службы будут регулярно осматривать блок на повреждения и принимать соответствующие меры при их обнаружении.
- Если внешний блок установлен на водонепроницаемом листе, этот лист может запачкаться, поскольку поступающая из блока вода содержит следы меди. В этом случае, рекомендуется установить дренажный поддон для централизованного дренажа.

13. Информация на паспортной табличке

(1) Модели Р

| Модель | P200YNW-A | P250YNW-A | P300YNW-A | P350YNW-A | P400YNW-A | P450YNW-A | P500YNW-A |
|--------------------------|---|-----------|-----------|-----------|-----------|-----------|-----------|
| Сочетание блоков | – | – | – | – | – | – | – |
| Хладагент (R410A) | 6,5 кг | 6,5 кг | 6,5 кг | 9,8 кг | 9,8 кг | 10,8 кг | 10,8 кг |
| Допустимое давление (Па) | Высокое давление: 4,15 МПа, Низкое давление: 2,21 МПа | | | | | | |
| Масса без упаковки | 225 кг | 225 кг | 228 кг | 278 кг | 278 кг | 294 кг | 337 кг |

| Модель | P400YSNW-A | | P450YSNW-A | | P500YSNW-A | | P550YSNW-A | |
|--------------------------|---|--------|------------|--------|------------|--------|------------|--------|
| Сочетание блоков | P200 | P200 | P250 | P200 | P250 | P250 | P300 | P250 |
| Хладагент (R410A) | 6,5 кг | 6,5 кг | 6,5 кг | 6,5 кг | 6,5 кг | 6,5 кг | 6,5 кг | 6,5 кг |
| Допустимое давление (Па) | Высокое давление: 4,15 МПа, Низкое давление: 2,21 МПа | | | | | | | |
| Масса без упаковки | 225 кг | 225 кг | 225 кг | 225 кг | 225 кг | 225 кг | 228 кг | 225 кг |

| Модель | P600YSNW-A | | P650YSNW-A | | P700YSNW-A | | P750YSNW-A | |
|--------------------------|---|--------|------------|--------|------------|--------|------------|--------|
| Сочетание блоков | P300 | P300 | P400 | P250 | P350 | P350 | P400 | P350 |
| Хладагент (R410A) | 6,5 кг | 6,5 кг | 9,8 кг | 6,5 кг | 9,8 кг | 9,8 кг | 9,8 кг | 9,8 кг |
| Допустимое давление (Па) | Высокое давление: 4,15 МПа, Низкое давление: 2,21 МПа | | | | | | | |
| Масса без упаковки | 228 кг | 228 кг | 278 кг | 225 кг | 278 кг | 278 кг | 278 кг | 278 кг |

| Модель | P800YSNW-A | | P850YSNW-A | | P900YSNW-A | |
|--------------------------|---|--------|------------|--------|------------|---------|
| Сочетание блоков | P450 | P350 | P450 | P400 | P450 | P450 |
| Хладагент (R410A) | 10,8 кг | 9,8 кг | 10,8 кг | 9,8 кг | 10,8 кг | 10,8 кг |
| Допустимое давление (Па) | Высокое давление: 4,15 МПа, Низкое давление: 2,21 МПа | | | | | |
| Масса без упаковки | 294 кг | 278 кг | 294 кг | 278 кг | 294 кг | 294 кг |

| Модель | P950YSNW-A | | | P1000YSNW-A | | |
|--------------------------|---|--------|--------|-------------|--------|--------|
| Сочетание блоков | P450 | P250 | P250 | P400 | P350 | P250 |
| Хладагент (R410A) | 10,8 кг | 6,5 кг | 6,5 кг | 9,8 кг | 9,8 кг | 6,5 кг |
| Допустимое давление (Па) | Высокое давление: 4,15 МПа, Низкое давление: 2,21 МПа | | | | | |
| Масса без упаковки | 294 кг | 225 кг | 225 кг | 278 кг | 278 кг | 225 кг |

| Модель | P1050YSNW-A | | | P1100YSNW-A | | |
|--------------------------|---|--------|--------|-------------|--------|--------|
| Сочетание блоков | P400 | P400 | P250 | P400 | P350 | P350 |
| Хладагент (R410A) | 9,8 кг | 9,8 кг | 6,5 кг | 9,8 кг | 9,8 кг | 9,8 кг |
| Допустимое давление (Па) | Высокое давление: 4,15 МПа, Низкое давление: 2,21 МПа | | | | | |
| Масса без упаковки | 278 кг | 278 кг | 225 кг | 278 кг | 278 кг | 278 кг |

| Модель | P1150YSNW-A | | | P1200YSNW-A | | |
|--------------------------|---|--------|--------|-------------|--------|--------|
| Сочетание блоков | P400 | P400 | P350 | P400 | P400 | P400 |
| Хладагент (R410A) | 9,8 кг | 9,8 кг | 9,8 кг | 9,8 кг | 9,8 кг | 9,8 кг |
| Допустимое давление (Па) | Высокое давление: 4,15 МПа, Низкое давление: 2,21 МПа | | | | | |
| Масса без упаковки | 278 кг | 278 кг | 278 кг | 278 кг | 278 кг | 278 кг |

| Модель | P1250YSNW-A | | | P1300YSNW-A | | |
|--------------------------|---|--------|--------|-------------|---------|--------|
| Сочетание блоков | P450 | P400 | P400 | P450 | P450 | P400 |
| Хладагент (R410A) | 10,8 кг | 9,8 кг | 9,8 кг | 10,8 кг | 10,8 кг | 9,8 кг |
| Допустимое давление (Па) | Высокое давление: 4,15 МПа, Низкое давление: 2,21 МПа | | | | | |
| Масса без упаковки | 294 кг | 278 кг | 278 кг | 294 кг | 294 кг | 278 кг |

| Модель | P1350YSNW-A | | |
|--------------------------|---|---------|---------|
| Сочетание блоков | P450 | P450 | P450 |
| Хладагент (R410A) | 10,8 кг | 10,8 кг | 10,8 кг |
| Допустимое давление (Па) | Высокое давление: 4,15 МПа, Низкое давление: 2,21 МПа | | |
| Масса без упаковки | 294 кг | 294 кг | 294 кг |

(2) Модели EP

| | | | | | | | |
|--------------------------|---|------------|------------|------------|------------|------------|------------|
| Модель | EP200YNW-A | EP250YNW-A | EP300YNW-A | EP350YNW-A | EP400YNW-A | EP450YNW-A | EP500YNW-A |
| Сочетание блоков | – | – | – | – | – | – | – |
| Хладагент (R410A) | 6,5 кг | 6,5 кг | 6,5 кг | 9,8 кг | 10,8 кг | 10,8 кг | 10,8 кг |
| Допустимое давление (Па) | Высокое давление: 4,15 МПа, Низкое давление: 2,21 МПа | | | | | | |
| Масса без упаковки | 231 кг | 231 кг | 235 кг | 285 кг | 305 кг | 305 кг | 342 кг |

| | | | | | | | | |
|--------------------------|---|--------|-------------|--------|-------------|--------|-------------|--------|
| Модель | EP400YSNW-A | | EP450YSNW-A | | EP500YSNW-A | | EP550YSNW-A | |
| Сочетание блоков | EP200 | EP200 | EP250 | EP200 | EP250 | EP250 | EP300 | EP250 |
| Хладагент (R410A) | 6,5 кг | 6,5 кг | 6,5 кг | 6,5 кг | 6,5 кг | 6,5 кг | 6,5 кг | 6,5 кг |
| Допустимое давление (Па) | Высокое давление: 4,15 МПа, Низкое давление: 2,21 МПа | | | | | | | |
| Масса без упаковки | 231 кг | 231 кг | 231 кг | 231 кг | 231 кг | 231 кг | 235 кг | 231 кг |

| | | | | | | | | |
|--------------------------|---|--------|-------------|--------|-------------|--------|-------------|--------|
| Модель | EP600YSNW-A | | EP650YSNW-A | | EP700YSNW-A | | EP750YSNW-A | |
| Сочетание блоков | EP300 | EP300 | EP400 | EP250 | EP350 | EP350 | EP400 | EP350 |
| Хладагент (R410A) | 6,5 кг | 6,5 кг | 10,8 кг | 6,5 кг | 9,8 кг | 9,8 кг | 10,8 кг | 9,8 кг |
| Допустимое давление (Па) | Высокое давление: 4,15 МПа, Низкое давление: 2,21 МПа | | | | | | | |
| Масса без упаковки | 235 кг | 235 кг | 305 кг | 231 кг | 285 кг | 285 кг | 305 кг | 285 кг |

| | | | | | | |
|--------------------------|---|--------|-------------|---------|-------------|---------|
| Модель | EP800YSNW-A | | EP850YSNW-A | | EP900YSNW-A | |
| Сочетание блоков | EP450 | EP350 | EP450 | EP400 | EP450 | EP450 |
| Хладагент (R410A) | 10,8 кг | 9,8 кг | 10,8 кг | 10,8 кг | 10,8 кг | 10,8 кг |
| Допустимое давление (Па) | Высокое давление: 4,15 МПа, Низкое давление: 2,21 МПа | | | | | |
| Масса без упаковки | 305 кг | 285 кг | 305 кг | 305 кг | 305 кг | 305 кг |

| | | | | | | |
|--------------------------|---|--------|--------|--------------|--------|--------|
| Модель | EP950YSNW-A | | | EP1000YSNW-A | | |
| Сочетание блоков | EP450 | EP250 | EP250 | EP400 | EP350 | EP250 |
| Хладагент (R410A) | 10,8 кг | 6,5 кг | 6,5 кг | 10,8 кг | 9,8 кг | 6,5 кг |
| Допустимое давление (Па) | Высокое давление: 4,15 МПа, Низкое давление: 2,21 МПа | | | | | |
| Масса без упаковки | 305 кг | 231 кг | 231 кг | 305 кг | 285 кг | 231 кг |

| | | | | | | |
|--------------------------|---|---------|--------|--------------|--------|--------|
| Модель | EP1050YSNW-A | | | EP1100YSNW-A | | |
| Сочетание блоков | EP400 | EP400 | EP250 | EP400 | EP350 | EP350 |
| Хладагент (R410A) | 10,8 кг | 10,8 кг | 6,5 кг | 10,8 кг | 9,8 кг | 9,8 кг |
| Допустимое давление (Па) | Высокое давление: 4,15 МПа, Низкое давление: 2,21 МПа | | | | | |
| Масса без упаковки | 305 кг | 305 кг | 231 кг | 305 кг | 285 кг | 285 кг |

| | | | | | | |
|--------------------------|---|---------|--------|--------------|---------|---------|
| Модель | EP1150YSNW-A | | | EP1200YSNW-A | | |
| Сочетание блоков | EP400 | EP400 | EP350 | EP400 | EP400 | EP400 |
| Хладагент (R410A) | 10,8 кг | 10,8 кг | 9,8 кг | 10,8 кг | 10,8 кг | 10,8 кг |
| Допустимое давление (Па) | Высокое давление: 4,15 МПа, Низкое давление: 2,21 МПа | | | | | |
| Масса без упаковки | 305 кг | 305 кг | 285 кг | 305 кг | 305 кг | 305 кг |

| | | | | | | |
|--------------------------|---|---------|---------|--------------|---------|---------|
| Модель | EP1250YSNW-A | | | EP1300YSNW-A | | |
| Сочетание блоков | EP450 | EP400 | EP400 | EP450 | EP450 | EP400 |
| Хладагент (R410A) | 10,8 кг | 10,8 кг | 10,8 кг | 10,8 кг | 10,8 кг | 10,8 кг |
| Допустимое давление (Па) | Высокое давление: 4,15 МПа, Низкое давление: 2,21 МПа | | | | | |
| Масса без упаковки | 305 кг | 305 кг | 305 кг | 305 кг | 305 кг | 305 кг |

| | | | |
|--------------------------|--|---------|---------|
| Модель | EP1350YSNW-A | | |
| Сочетание блоков | EP450 | EP450 | EP450 |
| Хладагент (R410A) | 10,8 кг | 10,8 кг | 10,8 кг |
| Допустимое давление (Па) | Высокое давление: 4,15 МПа, Низкое давление: 2,21 МПа | | |
| Масса без упаковки | 305 кг | 305 кг | 305 кг |

This product is designed and intended for use in the residential,
commercial and light-industrial environment.

The product at hand is based on the following EU regulations:

- Low Voltage Directive 2014/35/EU
- Electromagnetic Compatibility Directive 2014/30/EU
- Pressure Equipment Directive 2014/68/EU
- Machinery Directive 2006/42/EC

Please be sure to put the contact address/telephone number
on this manual before handing it to the customer.

MITSUBISHI ELECTRIC CORPORATION

HEAD OFFICE: TOKYO BLDG., 2-7-3, MARUNOUCHI, CHIYODA-KU, TOKYO 100-8310, JAPAN