

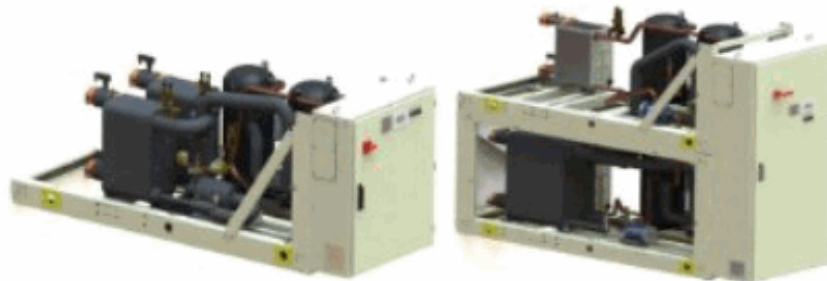
Water Cooled chiller cooling



EWWQ~G/L

SS (Standard Efficiency - Standard Noise) - Cooling Capacity from 91 to 369 kW
SS (Standard Efficiency - Standard Noise) - Cooling Capacity from 183 to 719 kW

Performance according to EN14511.



www.eurovent-certification.com
www.certiflash.com



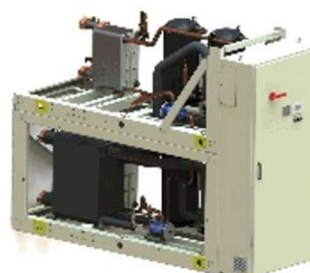
Low operating cost and extended operating life The water cooled ranges are the result of careful design, aimed to optimize the energy efficiency of the chillers, with the objective of bringing down operating costs and improving installation profitability, effectiveness and economical management.

Flexibility The water cooled series meets all the possible request in terms of plant needs for comfort and process applications. The units are available for chilled water production and for hot water production reversing on water side. There is also a condenserless version. Partial recover version and hydronic version, with low or high pump head, are available on request.

Wide capacity range The water cooled series covers a wide range of cooling capacities from 100 kW up to 700 kW. The introduction of the new 60 HP scroll compressor allows to reach very high capacity in the minimum space.



Wide operating range The extended operating range allows the unit to work in a very wide range of water temperatures. The electronic expansion valve (mounted as standard) guarantees a fine control of the refrigerant flow even at low condensing temperatures.



Compact Design The innovative design makes the unit easy to carry and position within technical room occupying the minimum footprint. The Modular conception allows to position one unit upon the other reaching the highest kW/m2 ratio on the market.

Plug & play installation The units is conceived in order to be connected quickly to the plant. Victaulic connection are available as option.

Superior control logic The unit controller provides an easy to use control environmental. The control logic is designed to provide maximum efficiency, to continue operation in unusual operating conditions and to provide a history of unit operation. One of the greatest benefits is the easy interface with LonWorks, Bacnet, Ethernet TCP/IP or Modbus communications. Master/Slave control is available as standard.

Code requirements – Safety and observant of laws/directives Units are designed and manufactured in accordance with applicable selections of the following:

Construction of pressure vessel	97/23/EC (PED)
Machinery Directive	2006/42/EC
Low Voltage	2006/95/EC
Electromagnetic Compatibility	2004/108/EC
Electrical & Safety codes	EN 60204-1 / EN 60335-2-40
Manufacturing Quality Stds	UNI – EN ISO 9001:2004

Certifications Units are CE marked, complying with European directives in force, concerning manufacturing and safety. On request units can be produced complying with laws in force in non European countries (ASME, GOST, etc.), and with other applications, such as naval (RINA, etc.).

Versions This range is available in one version:

STANDARD EFFICIENCY

24 sizes to cover a range 92 up to 722 kW with an EER up to 4.60 and an ESEER up to 5.55.

The EER (Energy Efficiency Ratio) is the ratio of the Cooling Capacity to the Power Input of the unit. The Power Input includes: the power input for operation of the compressor, the power input of all control and safety devices.

The ESEER (European Seasonal Energy Efficiency Ratio) is a weighed formula enabling to take into account the variation of EER with the load rate and the variation of air inlet condenser temperature.

$$ESEER = A \times EER100\% + B \times EER75\% + C \times EER50\% + D \times EER25\%$$

	A	B	C	D
K	0.03 (3%)	0.33 (33%)	0.41 (41%)	0.23 (23%)
T	30°C	26°C	22°C	18°C

K = Coefficient; T = Water inlet condenser temperature.

Sound configurations STANDARD SOUND

(Compressor sound attenuation jacket or compressor sound enclosure available as option)

Cabinet and structure The cabinet is made of galvanized steel sheet and painted to provide a high resistance to corrosion. Colour Ivory White (Munsell code 5Y7.5/1) (\pm RAL7044).The base frame has an eye-hook to lift the unit with ropes for an easy installation. The weight is uniformly distributed along the profiles of the base and this facilitates the arrangement of the unit.

Refrigerant Units have been optimized to operate with R-410A, refrigerant with zero ODP (Ozone Depletion Potential) and GWP (Global Warming Potential) 1890. R-410A has been the logical choice for our multiple scroll chiller because today it is one of the most promising refrigerants in terms of efficiency, stability and environmental impact. R-410A offers a small swept volume, a good heat exchange capacity and leads to reduced component sizes of items such as heat exchangers and tubing.

Compressor The compressor is hermetic orbiting scroll compressor complete with motor over-temperature and over-current devices. An oil heater, which starts automatically, keeps the oil from being diluted by the refrigerant when the compressor stops. The compressors are connected in Tandem on a single refrigerating circuit and are fitted on rubber antivibration mounts and complete with oil charge.

Evaporator (Plate Heat Exchanger) The unit is equipped with a direct expansion plate to plate type evaporator. This heat exchanger is made of stainless steel brazed plates and is covered with a 20mm closed cell insulation material. The evaporator is manufactured in accordance to PED approval. Flow switch and victaulic kit are provided mounted as option.

Condenser (Plate Heat Exchanger) The unit is equipped with a direct expansion plate to plate type condenser. This heat exchanger is made of stainless steel brazed plates and is covered with a 20mm closed cell insulation material (mounted as option). The condenser is manufactured in accordance to PED approval. Flow switch and victaulic kit are provided mounted as option.

Electronic expansion valve The unit is equipped with the most advanced electronic expansion valves to achieve precise control of refrigerant mass flow. As today's system requires improved energy efficiency, tighter temperature control, wider range of operating conditions and incorporate features like remote monitoring and diagnostics, the application of electronic expansion valves becomes mandatory.

Electronic expansion valves possess unique features: short opening and closing time, high resolution, positive shut-off function to eliminate use of additional solenoid valve, continuous modulation of mass flow without stress in the refrigerant circuit and corrosion resistance stainless steel body.

Electronic expansion valves are typically working with lower ΔP between high and low pressure side, than a thermostatic expansion valve. The electronic expansion valve allows the system to work with low condenser pressure without any refrigerant flow problems and with a perfect chilled water leaving temperature control.

Refrigerant circuit Each unit has 1 or 2 refrigerant circuit, according to the capacity, that includes:

- Compressors
- Refrigerant
- Evaporator
- Condenser
- Electronic expansion valve
- Liquid line shut off valve
- Filter drier
- Sight glass with moisture indicator
- High pressure switch
- High pressure transducers
- Low pressure transducers
- Suction temperature sensor

Electrical control panel Power and control are located in the main panel. The electrical panel is IP54 and (when opening the doors) internally protected with plexiglass panel against possible accidental contact with electrical components (IP20). The main panel is fitted with a main switch interlocked door.

Power Section

The power section includes compressors protection devices, compressors starters and control circuit power supply.

Unit controller

Unit controller is installed as standard; it can be used to modify unit set-points and check control parameters. A built-in display shows chiller operating status plus temperatures and pressures of water, refrigerant, programmable values, set-points. A sophisticated software with predictive logic, selects the most energy efficient combination of compressors and EEXV to keep stable operating conditions to maximise chiller energy efficiency and reliability.

The unit controller is able to protect critical components based on external signs from its system (such as motor temperatures, refrigerant gas and oil pressures, correct phase sequence, pressure switches and evaporator). The input coming from the high pressure switch cuts all digital output from the controller in less than 50ms, this is an additional security for the equipment.

Fast program cycle (200ms) for a precise monitoring of the system. Floating point calculations supported for increased accuracy in Pressure / Temperature conversions.

Control section - main features

Control Section has the following feature.

- Management of the refrigerant circuit capacity
- Chiller enabled to work in partial failure condition (only for 2 circuits unit)
- Full routine operation at condition of:
 - high thermal load
 - high evaporator entering water temperature (start-up)
- Display of evaporator entering/leaving water temperature.
- Display of condensing-evaporating temperature and pressure, suction superheat for each circuit.
- Leaving water evaporator temperature regulation .
- Compressor and pumps hours counter.
- Display of Status Safety Devices.
- Number of starts and compressor working hours.
- Optimized management of compressor load.
- Re-start in case of power failure (automatic / manual).
- Soft Load (optimized management of the compressor load during the start-up).
- Start at high evaporator water temperature.
- Return Reset (Set Point Reset based on return water temperature).
- Set point Reset (optional).
- Application and system upgrade with commercial SD cards.
- Ethernet port for remote or local servicing using standard web browsers.

Safety device / logic for each refrigerant circuit

The following devices / logics are available.

- High pressure (pressure switch).
- High pressure (transducer).
- Low pressure (transducer).
- High motor winding temperature.
- No pressure change at start

System security

The following securities are available.

- Phase monitor.
- Freeze protection.

Regulation type

Proportional + integral + derivative regulation on the evaporator leaving water output probe.

Unit controller

Unit controller built-in terminal has the following features.

- 164x44 dots liquid crystal display with white back lighting. Supports Unicode fonts for multi-lingual.
- Key-pad consisting of 3 keys.
- Push'n'Roll control for an increased usability.
- Memory to protect the data.
- General faults alarm relays.
- Password access to modify the setting.
- Application security to prevent application tampering or hardware usability with third party applications.
- Service report displaying all running hours and general conditions.
- Alarm history memory to allow an easy fault analysis.

Supervising systems (on request)

Unit controller remote communication

Unit controller is able to communicate to BMS (Building Management System) based on the most common protocols as:

- ModbusRTU
- LonWorks, now also based on the international 8040 Standard Chiller Profile and LonMark Technology.
- BacNet BTP certified over IP and MS/TP (class 4) (Native).
- Ethernet TCP/IP.

Additional information related to F-GAS Regulation (EU) No 517/2014 OF THE European Parliament and of the Council of 16 April 2014 on fluorinated greenhouse gases and repealing Regulation (EC) No 842/2006

Unit model	Refrigerant type	Refrigerant GWP	No. of circuits	Refrigerant charge circuit 1 (kg)	Refrigerant charge circuit 1 (TCO2Eq)
EWQQ090G-SS	R410A	2087,5	1	10,0	20,9
EWQQ100G-SS	R410A	2087,5	1	10,0	20,9
EWQQ120G-SS	R410A	2087,5	1	11,0	23,0
EWQQ130G-SS	R410A	2087,5	1	11,0	23,0
EWQQ150G-SS	R410A	2087,5	1	12,0	25,1
EWQQ170G-SS	R410A	2087,5	1	12,0	25,1
EWQQ190G-SS	R410A	2087,5	1	15,0	31,3
EWQQ210G-SS	R410A	2087,5	1	16,0	33,4
EWQQ240G-SS	R410A	2087,5	1	17,0	35,5
EWQQ300G-SS	R410A	2087,5	1	19,0	39,7
EWQQ360G-SS	R410A	2087,5	1	20,0	41,8

Note: Equipment contains fluorinated greenhouse gases. Actual refrigerant charge depends on the final unit construction, details can be found on the unit labels.

Unit model	Refrigerant type	Refrigerant GWP	No. of circuits	Refrigerant charge circuit 1 (kg)	Refrigerant charge circuit 2 (kg)	Refrigerant charge circuit 1 (TCO2Eq)	Refrigerant charge circuit 2 (TCO2Eq)
EWQQ180L-SS	R410A	2087,5	2	10	20,9	10	20,9
EWQQ205L-SS	R410A	2087,5	2	10	20,9	10	20,9
EWQQ230L-SS	R410A	2087,5	2	11	23,0	11	23,0
EWQQ260L-SS	R410A	2087,5	2	11	23,0	11	23,0
EWQQ290L-SS	R410A	2087,5	2	12	25,1	12	25,1
EWQQ330L-SS	R410A	2087,5	2	12	25,1	12	25,1
EWQQ380L-SS	R410A	2087,5	2	15	31,3	15	31,3
EWQQ430L-SS	R410A	2087,5	2	16	33,4	16	33,4
EWQQ480L-SS	R410A	2087,5	2	17	35,5	17	35,5
EWQQ540L-SS	R410A	2087,5	2	17	35,5	17	35,5
EWQQ600L-SS	R410A	2087,5	2	19	39,7	19	39,7
EWQQ660L-SS	R410A	2087,5	2	20	41,8	20	41,8
EWQQ720L-SS	R410A	2087,5	2	20	41,8	20	41,8

Note: Equipment contains fluorinated greenhouse gases. Actual refrigerant charge depends on the final unit construction, details can be found on the unit labels.

Standard Options (supplied on basic unit)

Direct on line starter (DOL)

Double setpoint - Dual leaving water temperature setpoints.

20mm evaporator insulation - The external shell is covered with a 20mm closed cell insulation material.

Evaporator electric heater - Electric heater (controlled by a thermostat) to protect the evaporator from freezing.

Electronic expansion valve

Options (on request)

General fault contactor

Hour run meter

Main switch interlock door

MECHANICAL

Heat Pump version reversing on water side

Evaporator and condenser victaulic kit- Hydraulic joint with gasket for an easy and quick water connection.

Water filter(*) - The water filter removes impurities from water by means of a fine physical barrier.

Evaporator and Condenser flow switch ()**

20mm condenser insulation - The external shell is covered with a 20mm closed cell insulation material.

Partial heat recovery - Plate to plate heat exchangers for hot water production.

Brine version - Allows the unit to operate down to -10°C leaving liquid temperature (antifreeze required). Recommended below +4°C

Suction and discharge line shut-off valve - Installed on the suction and discharge ports of the compressor's tandem to facilitate maintenance operation.

High and low pressure side manometers

Sound Proof System (Compressor jacket)

Sound Proof System (Compressor Enclosure)

One centrifugal pump (low lift- 100 kPa available static pressure) - Hydronic kit consists of: single direct driven centrifugal pump, water filling system with pressure gauge, safety valve, drain valve. The motor pump is protected by a circuit breaker installed in control panel. The kit is assembled and wired to the control panel.

One centrifugal pump (high lift- 200 kPa available static pressure) Hydronic kit consists of: single direct driven centrifugal pump, water filling system with pressure gauge, safety valve, drain valve. The motor pump is protected by a circuit breaker installed in control panel. The kit is assembled and wired to the control panel.

Double pressure relief valve with diverter

(*) the installation of the filter is mandatory.

(**) the installation of the flow switch is mandatory on evaporator side.

ELECTRICAL / CONTROL

Phase monitor - Device that monitors input voltage and stops the chiller in case of phase loss or wrong phase sequence.

Under / Over voltage control - Electronic device that monitors and displays input voltage, and stops the chiller in case of phase loss, wrong phase sequence, or voltage exceeding minimum and maximum allowed values.

Energy meter - Device installed inside the control box that displays all chiller electrical power parameters at line input such as line voltage and phase current, input active and reactive power, active and reactive energy. An integrated RS485 module allows a Modbus communication to an external BMS.

Capacitors for power factor correction - Devices that increase the power factor of the unit. The capacitors are "dry" self-regenerating type with over pressure disconnecting safety device insulated with a no toxic dielectric mix without PCB or PCT.

Setpoint reset, Demand limit and Alarm from external device - Setpoint Reset: The leaving water temperature set-point can be overwritten with an external 4-20mA, through the ambient temperature, or through the evaporator water temperature ΔT . Demand Limit: Chiller capacity can be limited through an external 4-20mA signal or via network. Alarm from external device: The unit controller is able to receive an external alarm signal. The user can decide whether this alarm signal will stop the unit or not.

Compressors circuit breakers Safety devices that include in a single device all safety functions otherwise provided by standard fuses and optional thermal relays, such as protection against overcurrent, overload, current unbalance.

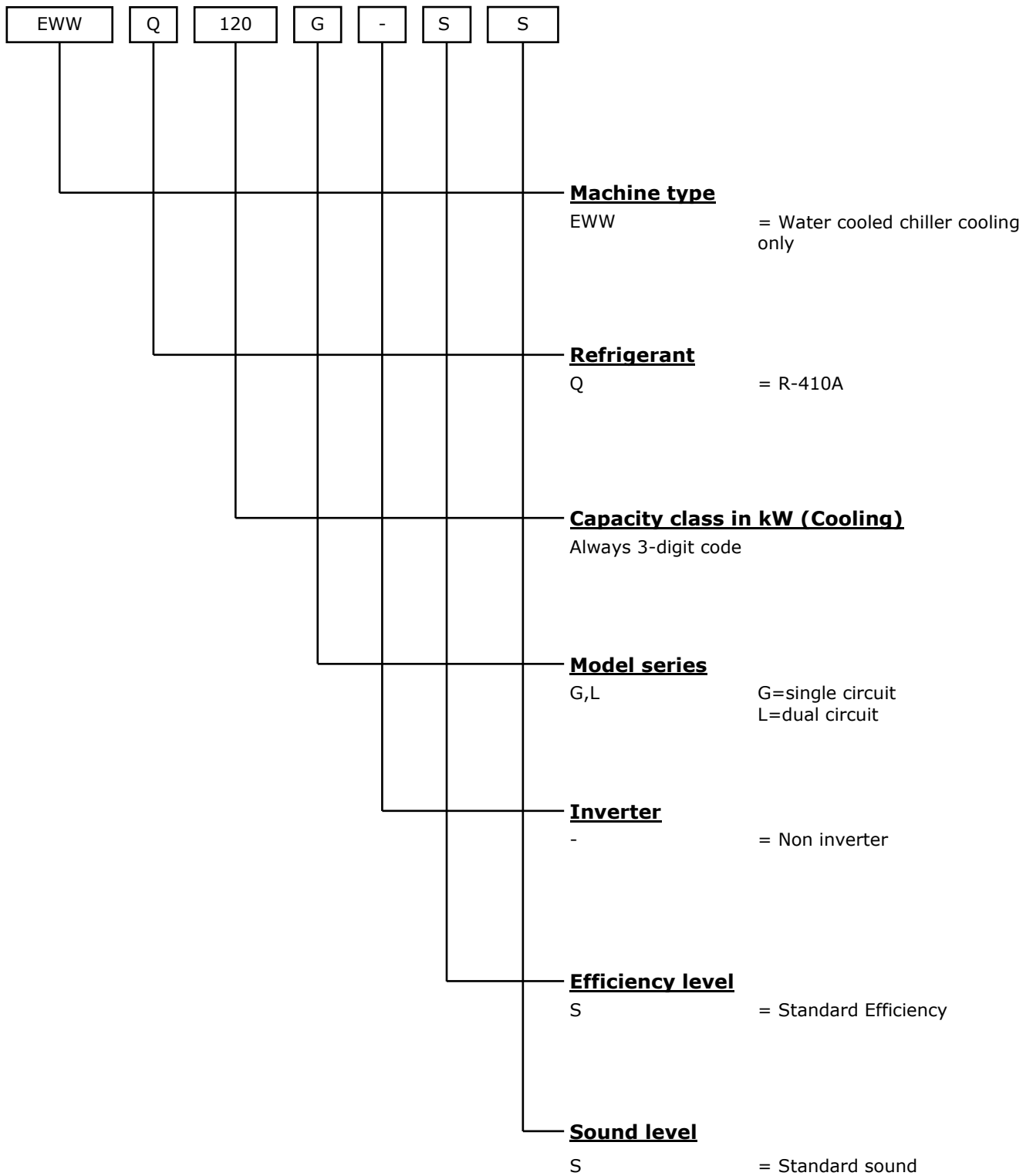
INSTALLATION

Rubber anti vibration mounts - Supplied separately, these are positioned under the base of the unit during installation. Ideal to reduce the vibrations when the unit is floor mounted.

Container Kit: wooden pallet structure positioned below the unit specially designed to ease the chiller (un)load in the container with a forklift.

Witness test

Acoustic test



EWVQ G-SS

MODEL		090	100	120	130	150	170	190	210
Capacity - Cooling (1)	kW	93.7	106	119	136	150	172	194	221
Capacity control - Type	---	Step	Step	Step	Step	Step	Step	Step	Step
Capacity control - Minimum capacity	%	50.0	43.0	50.0	44.0	50.0	45.0	50.0	43.0
Unit power input - Cooling (1)	kW	21.3	24.0	26.9	30.5	33.9	38.9	43.8	51.2
EER (1)	---	4.40	4.40	4.42	4.46	4.42	4.42	4.42	4.31
ESEER	---	5.12	5.21	5.03	5.24	5.16	5.26	5.22	5.18
IPLV	---	6.71	6.79	6.22	6.36	6.22	6.32	6.30	6.25
CASING									
Colour	---	IW	IW	IW	IW	IW	IW	IW	IW
Material (2)	---	GPSS	GPSS	GPSS	GPSS	GPSS	GPSS	GPSS	GPSS
DIMENSIONS									
Height	mm	1066	1066	1066	1066	1066	1066	1066	1066
Width	mm	928	928	928	928	928	928	928	928
Length	mm	2432	2432	2264	2264	2264	2432	2432	2432
WEIGHT									
Unit Weight	kg	555	652	782	821	859	901	946	1010
Operating Weight	kg	516	606	728	762	795	832	871	921
HEAT EXCHANGER - EVAPORATOR									
Type (3)	---	PHE	PHE	PHE	PHE	PHE	PHE	PHE	PHE
Water Volume	l	6	8	8	10	12	13	15	17
Nominal water flow rate	l/s	4.5	5.1	5.7	6.5	7.2	8.2	9.3	10.6
Nominal Water pressure drop	kPa	49	49	39	33	33	35	37	34
Insulation material (4)		CC	CC	CC	CC	CC	CC	CC	CC
HEAT EXCHANGER - CONDENSER									
Type (3)	---	PHE	PHE	PHE	PHE	PHE	PHE	PHE	PHE
Water Volume	l	6	8	8	10	12	13	15	17
Nominal water flow rate	l/s	5.5	6.2	7.1	8.0	8.9	10.2	11.4	13.0
Nominal Water pressure drop	kPa	72	73	60	50	50	52	56	46
COMPRESSOR									
Type	---	Scroll	Scroll	Scroll	Scroll	Scroll	Scroll	Scroll	Scroll
Oil charge	l	7	8	9	11	14	13	13	13
Quantity	No.	2	2	2	2	2	2	2	2
SOUND LEVEL									
Sound Power - Cooling	dB(A)	80	83	85	87	88	88	88	90
Sound Pressure - Cooling (5)	dB(A)	64	67	69	70	72	72	72	74
REFRIGERANT CIRCUIT									
Refrigerant type	---	R410A	R410A	R410A	R410A	R410A	R410A	R410A	R410A
Refrigerant charge	kg	10	10	11	11	12	12	15	16
N. of circuits	No.	1	1	1	1	1	1	1	1
PIPING CONNECTIONS									
Evaporator water inlet/outlet		1" 1/2	1" 1/2	2" 1/2	2" 1/2	2" 1/2	2" 1/2	2" 1/2	2" 1/2
Condenser water inlet/outlet		1" 1/2	1" 1/2	2" 1/2	2" 1/2	2" 1/2	2" 1/2	2" 1/2	2" 1/2

Fluid: Water

(1) Cooling capacity, unit power input and EER are based on the following conditions: evaporator 12.0/7.0°C; condenser 30.0/35.0 °C, unit at full load operation;

(2) GPSS: Galvanized and Painted Steel Sheet; (3) PHE: Plate Heat Exchanger --- S&T: Single Pass Shell & Tube

(4) CC: Closed Cell; (5) The values are according to ISO 3744 and are referred to: evaporator 12.0/7.0°C, condenser 30.0/35.0 °C, full load operation.

EWVQ G-SS

MODEL		240	300	360					
Capacity - Cooling (1)	kW	246	314	370					
Capacity control - Type	---	Step	Step	Step					
Capacity control - Minimum capacity	%	50.0	40.0	50.0					
Unit power input - Cooling (1)	kW	56.6	70.2	84.0					
EER (1)	---	4.34	4.48	4.41					
ESEER	---	4.93	5.19	5.09					
IPLV	---	6.03	6.28	6.16					
CASING									
Colour	---	IW	IW	IW					
Material (2)	---	GPSS	GPSS	GPSS					
DIMENSIONS									
Height	mm	1066	1186	1186					
Width	mm	928	928	928					
Length	mm	2432	2432	2432					
WEIGHT									
Unit Weight	kg	1023	1195	1311					
Operating Weight	kg	934	1083	1181					
HEAT EXCHANGER - EVAPORATOR									
Type (3)	---	PHE	PHE	PHE					
Water Volume	l	17	27	34					
Nominal water flow rate	l/s	11.8	15.1	17.7					
Nominal Water pressure drop	kPa	42	47	47					
Insulation material (4)		CC	CC	CC					
HEAT EXCHANGER - CONDENSER									
Type (3)	---	PHE	PHE	PHE					
Water Volume	l	17	27	34					
Nominal water flow rate	l/s	14.5	18.5	21.8					
Nominal Water pressure drop	kPa	57	69	71					
COMPRESSOR									
Type	---	Scroll	Scroll	Scroll					
Oil charge	l	13	13	13					
Quantity	No.	2	2	2					
SOUND LEVEL									
Sound Power - Cooling	dB(A)	92	93	93					
Sound Pressure - Cooling (5)	dB(A)	76	76	77					
REFRIGERANT CIRCUIT									
Refrigerant type	---	R410A	R410A	R410A					
Refrigerant charge	kg	17	19	20					
N. of circuits	No.	1	1	1					
PIPING CONNECTIONS									
Evaporator water inlet/outlet		2" 1/2	3"	3"					
Condenser water inlet/outlet		2" 1/2	3"	3"					

Fluid: Water

(1) Cooling capacity, unit power input and EER are based on the following conditions: evaporator 12.0/7.0°C; condenser 30.0/35.0 °C, unit at full load operation;

(2) GPSS: Galvanized and Painted Steel Sheet; (3) PHE: Plate Heat Exchanger --- S&T: Single Pass Shell & Tube

(4) CC: Closed Cell; (5) The values are according to ISO 3744 and are referred to: evaporator 12.0/7.0°C, condenser 30.0/35.0 °C, full load operation.

EWVQ L-SS

MODEL		180	205	230	260	290	330	380	430
Capacity - Cooling (1)	kW	187	215	244	273	303	345	387	430
Capacity control - Type	---	Step	Step	Step	Step	Step	Step	Step	Step
Capacity control - Minimum capacity	%	25.0	21.0	25.0	22.0	25.0	23.0	25.0	21.0
Unit power input - Cooling (1)	kW	41.7	47.3	53.1	60.2	67.1	77.1	87.0	97.9
EER (1)	---	4.49	4.55	4.60	4.53	4.52	4.47	4.45	4.39
ESEER	---	5.40	5.49	5.33	5.40	5.38	5.38	5.40	5.36
IPLV	---	6.77	6.84	6.35	6.38	6.31	6.32	6.36	6.31
CASING									
Colour	---	IW	IW	IW	IW	IW	IW	IW	IW
Material (2)	---	GPSS	GPSS	GPSS	GPSS	GPSS	GPSS	GPSS	GPSS
DIMENSIONS									
Height	mm	1970	1970	1970	1970	1970	1970	1970	1970
Width	mm	928	928	928	928	928	928	928	928
Length	mm	2801	2801	2801	2801	2801	2801	2801	2801
WEIGHT									
Unit Weight	kg	957	1156	1401	1469	1575	1641	1723	1851
Operating Weight	kg	877	1062	1285	1347	1439	1498	1559	1673
HEAT EXCHANGER - EVAPORATOR									
Type (3)	---	PHE	PHE	PHE	PHE	PHE	PHE	PHE	PHE
Water Volume	l	35	41	53	53	65	65	76	92
Nominal water flow rate	l/s	9.0	10.3	11.7	13.0	14.5	16.5	18.5	20.6
Nominal Water pressure drop	kPa	28	28	23	28	25	32	32	33
Insulation material (4)		CC	CC	CC	CC	CC	CC	CC	CC
HEAT EXCHANGER - CONDENSER									
Type (3)	---	PHE	PHE	PHE	PHE	PHE	PHE	PHE	PHE
Water Volume	l	19	22	29	29	35	35	41	49
Nominal water flow rate	l/s	5.5	6.3	7.2	8.1	9.0	10.2	11.4	12.7
		5.5	6.3	7.2	8.1	9.0	10.2	11.4	12.7
Nominal Water pressure drop	kPa	72	73	61	49	50	51	55	46
		72	73	61	49	50	51	55	46
COMPRESSOR									
Type	---	Scroll	Scroll	Scroll	Scroll	Scroll	Scroll	Scroll	Scroll
Oil charge	l	14	16	19	23	27	26	25	25
Quantity	No.	4	4	4	4	4	4	4	4
SOUND LEVEL									
Sound Power - Cooling	dB(A)	83	86	88	90	91	91	91	93
Sound Pressure - Cooling (5)	dB(A)	65	68	70	72	74	74	73	76
REFRIGERANT CIRCUIT									
Refrigerant type	---	R410A	R410A	R410A	R410A	R410A	R410A	R410A	R410A
Refrigerant charge	kg	20	20	22	22	24	24	30	32
N. of circuits	No.	2	2	2	2	2	2	2	2
PIPING CONNECTIONS									
Evaporator water inlet/outlet		3"	3"	3"	3"	3"	3"	3"	3"
Condenser water inlet/outlet		1" 1/2	1" 1/2	2" 1/2	2" 1/2	2" 1/2	2" 1/2	2" 1/2	2" 1/2

Fluid: Water

(1) Cooling capacity, unit power input and EER are based on the following conditions: evaporator 12.0/7.0°C; condenser 30.0/35.0 °C, unit at full load operation;

(2) GPSS: Galvanized and Painted Steel Sheet; (3) PHE: Plate Heat Exchanger --- S&T: Single Pass Shell & Tube

(4) CC: Closed Cell; (5) The values are according to ISO 3744 and are referred to: evaporator 12.0/7.0°C, condenser 30.0/35.0 °C, full load operation.

EWWQ L-SS

MODEL		480	540	600	660	720			
Capacity - Cooling (1)	kW	476	549	611	663	721			
Capacity control - Type	---	Step	Step	Step	Step	Step			
Capacity control - Minimum capacity	%	25.0	22.0	20.0	18.0	25.0			
Unit power input - Cooling (1)	kW	110	124	140	154	167			
EER (1)	---	4.34	4.44	4.37	4.31	4.32			
ESEER	---	5.12	5.31	5.22	5.15	5.10			
IPLV	---	6.11	6.29	6.23	6.19	6.18			
CASING									
Colour	---	IW	IW	IW	IW	IW			
Material (2)	---	GPSS	GPSS	GPSS	GPSS	GPSS			
DIMENSIONS									
Height	mm	1970	2090	2210	2210	2210			
Width	mm	928	928	928	928	928			
Length	mm	2801	2801	2801	2801	2801			
WEIGHT									
Unit Weight	kg	1918	2044	2145	2346	2405			
Operating Weight	kg	1722	1842	1926	2105	2229			
HEAT EXCHANGER - EVAPORATOR									
Type (3)	---	PHE	PHE	PHE	PHE	PHE			
Water Volume	l	92	92	115	115	115			
Nominal water flow rate	l/s	22.8	26.3	29.3	31.8	34.6			
Nominal Water pressure drop	kPa	40	51	50	59	69			
Insulation material (4)		CC	CC	CC	CC	CC			
HEAT EXCHANGER - CONDENSER									
Type (3)	---	PHE	PHE	PHE	PHE	PHE			
Water Volume	l	49	49	62	62	62			
Nominal water flow rate	l/s	14.0	14.5	18.0	17.9	21.3			
		14.0	17.8	18.0	21.3	21.3			
Nominal Water pressure drop	kPa	57	43	67	67	68			
		57	66	67	68	68			
COMPRESSOR									
Type	---	Scroll	Scroll	Scroll	Scroll	Scroll			
Oil charge	l	25	25	25	25	25			
Quantity	No.	4	4	4	4	4			
SOUND LEVEL									
Sound Power - Cooling	dB(A)	95	95	95	96	96			
Sound Pressure - Cooling (5)	dB(A)	77	77	78	78	78			
REFRIGERANT CIRCUIT									
Refrigerant type	---	R410A	R410A	R410A	R410A	R410A			
Refrigerant charge	kg	34	34	38	40	40			
N. of circuits	No.	2	2	2	2	2			
PIPING CONNECTIONS									
Evaporator water inlet/outlet		3"	3"	3"	3"	3"			
Condenser water inlet/outlet		2" 1/2	3"	3"	3"	3"			

Fluid: Water

(1) Cooling capacity, unit power input and EER are based on the following conditions: evaporator 12.0/7.0°C; condenser 30.0/35.0 °C, unit at full load operation;

(2) GPSS: Galvanized and Painted Steel Sheet; (3) PHE: Plate Heat Exchanger --- S&T: Single Pass Shell & Tube

(4) CC: Closed Cell; (5) The values are according to ISO 3744 and are referred to: evaporator 12.0/7.0°C, condenser 30.0/35.0 °C, full load operation.

EWQ G-SS

MODEL		090	100	120	130	150	170	190	210
Power supply									
Phases	---	3	3	3	3	3	3	3	3
Frequency	Hz	50	50	50	50	50	50	50	50
Voltage	V	400	400	400	400	400	400	400	400
Voltage tolerance Minimum	%	-10%	-10%	-10%	-10%	-10%	-10%	-10%	-10%
Voltage tolerance Maximum	%	+10%	+10%	+10%	+10%	+10%	+10%	+10%	+10%
Unit									
Maximum starting current	A	204	255	261	308	316	354	368	466
Nominal running current cooling	A	42	45	48	54	61	68	76	86
Maximum running current	A	59	66	72	80	88	102	116	131
Maximum current for wires sizing	A	65	72	79	88	96	112	128	144
Compressors									
Phases	No.	3	3	3	3	3	3	3	3
Voltage	V	400	400	400	400	400	400	400	400
Voltage tolerance Minimum	%	-10%	-10%	-10%	-10%	-10%	-10%	-10%	-10%
Voltage tolerance Maximum	%	+10%	+10%	+10%	+10%	+10%	+10%	+10%	+10%
Maximum running current	A	59	66	72	80	88	102	116	131
Starting method	---	DOL	DOL	DOL	DOL	DOL	DOL	DOL	DOL

EWQ G-SS

MODEL		240	300	360					
Power supply									
Phases	---	3	3	3					
Frequency	Hz	50	50	50					
Voltage	V	400	400	400					
Voltage tolerance Minimum	%	-10%	-10%	-10%					
Voltage tolerance Maximum	%	+10%	+10%	+10%					
Unit									
Maximum starting current	A	481	640	677					
Nominal running current cooling	A	95	118	143					
Maximum running current	A	145	183	221					
Maximum current for wires sizing	A	160	201	243					
Compressors									
Phases	No.	3	3	3					
Voltage	V	400	400	400					
Voltage tolerance Minimum	%	-10%	-10%	-10%					
Voltage tolerance Maximum	%	+10%	+10%	+10%					
Maximum running current	A	145	183	221					
Starting method	---	DOL	DOL+PW	PW					

Fluid: Water

Allowed voltage tolerance ± 10%. Voltage unbalance between phases must be within ± 3%.

Maximum starting current: starting current of biggest compressor + current of the compressor at 75% maximum load

Nominal current in cooling mode is referred to the following conditions: evaporator 12/7°C; condenser 30/35°C; compressors current

Maximum running current is based on max compressor absorbed current in its envelope

Maximum unit current for wires sizing is based on minimum allowed voltage

Maximum current for wires sizing: (compressors full load ampere) x 1,1.

EWWQ L-SS

MODEL		180	205	230	260	290	330	380	430
Power supply									
Phases	---	3	3	3	3	3	3	3	3
Frequency	Hz	50	50	50	50	50	50	50	50
Voltage	V	400	400	400	400	400	400	400	400
Voltage tolerance Minimum	%	-10%	-10%	-10%	-10%	-10%	-10%	-10%	-10%
Voltage tolerance Maximum	%	+10%	+10%	+10%	+10%	+10%	+10%	+10%	+10%
Unit									
Maximum starting current	A	263	320	333	388	403	456	484	597
Nominal running current cooling	A	83	89	96	109	121	137	151	171
Maximum running current	A	118	131	144	160	175	205	232	262
Maximum current for wires sizing	A	130	144	159	176	193	225	255	288
Compressors									
Phases	No.	3	3	3	3	3	3	3	3
Voltage	V	400	400	400	400	400	400	400	400
Voltage tolerance Minimum	%	-10%	-10%	-10%	-10%	-10%	-10%	-10%	-10%
Voltage tolerance Maximum	%	+10%	+10%	+10%	+10%	+10%	+10%	+10%	+10%
Maximum running current	A	59	66	72	80	88	102	116	131
		59	66	72	80	88	102	116	131
Starting method	---	DOL	DOL	DOL	DOL	DOL	DOL	DOL	DOL

EWWQ L-SS

MODEL		480	540	600	660	720			
Power supply									
Phases	---	3	3	3	3	3			
Frequency	Hz	50	50	50	50	50			
Voltage	V	400	400	400	400	400			
Voltage tolerance Minimum	%	-10%	-10%	-10%	-10%	-10%			
Voltage tolerance Maximum	%	+10%	+10%	+10%	+10%	+10%			
Unit									
Maximum starting current	A	626	785	822	860	898			
Nominal running current cooling	A	189	210	236	260	284			
Maximum running current	A	290	328	366	403	441			
Maximum current for wires sizing	A	319	361	402	444	485			
Compressors									
Phases	No.	3	3	3	3	3			
Voltage	V	400	400	400	400	400			
Voltage tolerance Minimum	%	-10%	-10%	-10%	-10%	-10%			
Voltage tolerance Maximum	%	+10%	+10%	+10%	+10%	+10%			
Maximum running current	A	145	145	183	183	221			
		145	183	183	221	221			
Starting method	---	DOL	DOL	DOL+PW	DOL+PW	PW			

Fluid: Water

Allowed voltage tolerance ± 10%. Voltage unbalance between phases must be within ± 3%.

Maximum starting current: starting current of biggest compressor + current of the compressor at 75% maximum load

Nominal current in cooling mode is referred to the following conditions: evaporator 12/7°C; condenser 30/35°C; compressors current

Maximum running current is based on max compressor absorbed current in its envelope

Maximum unit current for wires sizing is based on minimum allowed voltage

Maximum current for wires sizing: (compressors full load ampere) x 1,1.

EWWQ G-SS

MODEL	Sound pressure level at 1 m from the unit (rif. 2 x 10 ⁻⁵ Pa)									Power
	63 Hz	125 Hz	250 Hz	500 Hz	1000 Hz	2000 Hz	4000 Hz	8000 Hz	dB(A)	dB(A)
090	59.0	61.0	50.2	59.9	58.6	56.5	54.3	52.3	64.0	80.0
100	62.4	64.4	60.3	60.3	58.6	63.1	54.5	49.1	67.0	83.0
120	65.2	67.0	63.5	62.1	60.2	66.1	56.2	47.3	69.0	85.0
130	63.0	64.9	62.9	61.8	65.0	66.4	57.9	53.6	70.0	87.0
150	60.8	62.7	63.1	62.2	67.6	67.3	59.6	56.4	72.0	88.0
170	61.1	63.1	65.4	64.4	68.0	67.1	60.0	55.8	72.0	88.0
190	60.6	62.6	66.6	65.6	67.6	65.6	59.6	53.6	72.0	88.0
210	60.7	62.7	66.0	63.9	71.4	68.1	60.2	54.2	74.0	90.0
240	61.1	63.1	65.8	62.1	73.3	69.7	60.9	54.9	76.0	92.0
300	58.8	60.8	62.8	57.9	74.6	69.8	59.0	53.0	76.0	93.0
360	57.9	59.9	61.3	54.9	75.3	70.1	58.5	52.5	77.0	93.0

EWWQ L-SS

MODEL	Sound pressure level at 1 m from the unit (rif. 2 x 10 ⁻⁵ Pa)									Power
	63 Hz	125 Hz	250 Hz	500 Hz	1000 Hz	2000 Hz	4000 Hz	8000 Hz	dB(A)	dB(A)
180	60.6	62.6	51.8	61.5	60.2	58.1	55.9	53.9	65.0	83.0
205	64.0	66.0	62.0	62.0	60.2	64.7	56.1	50.7	68.0	86.0
230	65.6	67.6	64.1	62.7	60.8	66.7	56.8	47.9	70.0	88.0
260	64.6	66.6	64.6	63.4	66.7	68.0	59.6	55.3	72.0	90.0
290	62.3	64.3	64.7	63.8	69.2	68.9	61.2	58.0	74.0	91.0
330	62.6	64.6	66.9	66.0	69.6	68.6	61.6	57.4	74.0	91.0
380	62.2	64.2	68.2	67.2	69.2	67.2	61.2	55.2	73.0	91.0
430	62.3	64.3	67.6	65.5	73.0	69.7	61.8	55.8	76.0	93.0
480	62.7	64.7	67.4	63.7	74.9	71.3	62.5	56.5	77.0	95.0
540	60.9	62.9	65.2	61.0	75.4	70.9	60.9	54.9	77.0	95.0
600	60.1	62.1	64.1	59.2	75.9	71.1	60.3	54.3	78.0	95.0
660	59.8	61.8	63.5	57.9	76.5	71.5	60.2	54.2	78.0	96.0
720	59.5	61.5	62.9	56.5	76.9	71.7	60.1	54.1	78.0	96.0

EWWQ G-SS

MODEL	DISTANCE						
	1 m	5 m	10 m	15 m	20 m	25 m	50 m
090	64.0	54.1	48.8	45.5	43.2	41.3	35.4
100	67.0	57.1	51.8	48.5	46.2	44.3	38.4
120	69.0	59.1	53.7	50.4	48.1	46.2	40.3
130	70.0	60.1	54.7	51.4	49.1	47.2	41.3
150	72.0	62.1	56.7	53.4	51.1	49.2	43.3
170	72.0	62.1	56.8	53.5	51.2	49.3	43.4
190	72.0	62.1	56.8	53.5	51.2	49.3	43.4
210	74.0	64.1	58.8	55.5	53.2	51.3	45.4
240	76.0	66.1	60.8	57.5	55.2	53.3	47.4
300	76.0	66.3	61.0	57.7	55.3	53.5	47.6
360	77.0	67.3	62.0	58.7	56.3	54.5	48.6

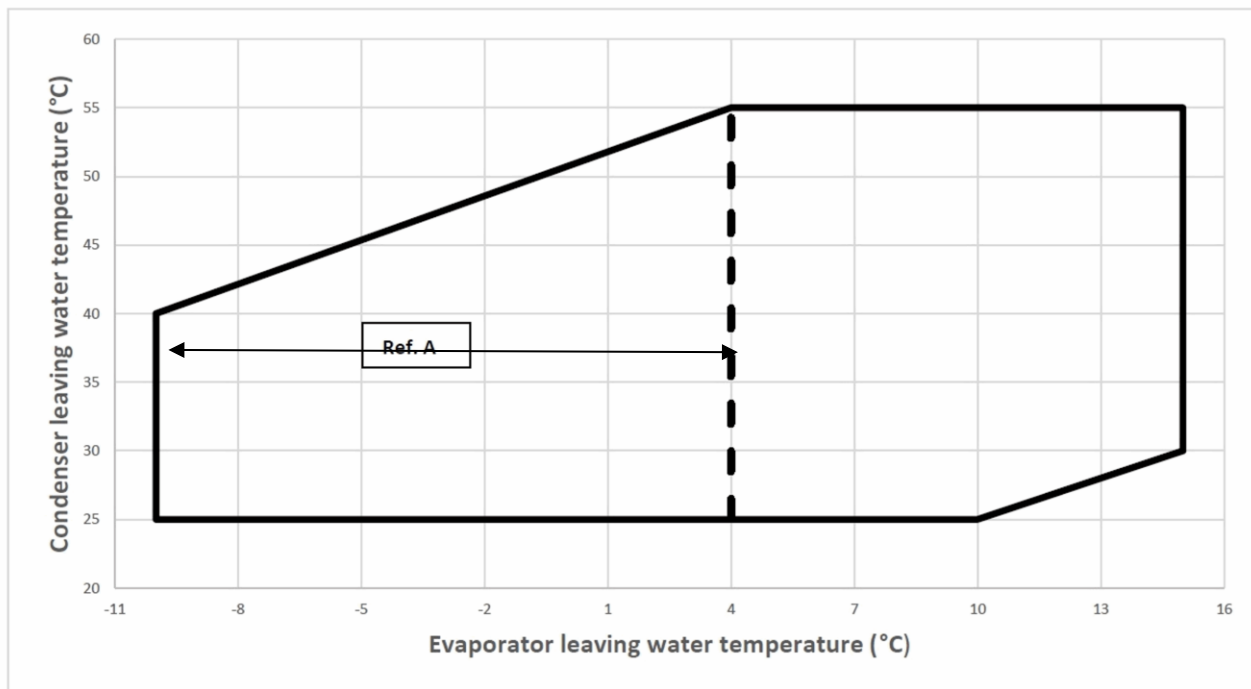
EWWQ L-SS

MODEL	DISTANCE						
	1 m	5 m	10 m	15 m	20 m	25 m	50 m
180	65.0	56.1	50.9	47.8	45.4	43.6	37.8
205	68.0	59.1	53.9	50.8	48.4	46.6	40.8
230	70.0	61.1	55.9	52.8	50.4	48.6	42.8
260	72.0	63.1	57.9	54.8	52.4	50.6	44.8
290	74.0	65.1	59.9	56.8	54.4	52.6	46.8
330	74.0	65.1	59.9	56.8	54.4	52.6	46.8
380	73.0	64.1	58.9	55.8	53.4	51.6	45.8
430	76.0	67.1	61.9	58.8	56.4	54.6	48.8
480	77.0	68.1	62.9	59.8	57.4	55.6	49.8
540	77.0	68.1	63.1	59.9	57.5	55.7	49.9
600	78.0	69.2	64.2	61.0	58.7	56.8	51.0
660	78.0	69.2	64.2	61.0	58.7	56.8	51.0
720	78.0	69.2	64.2	61.0	58.7	56.8	51.0

Fluid: Water

Note: The values are according to ISO 3744 and are referred to: evaporator 12/7° C, air ambient 35°C, full load operation

Operating Limits



Note

The above graphic represents a guideline about the operating limits of the range. Please refer to Chiller Selection Software (CSS) for real operating limits working conditions for each size.

Ref.:

A = operation with glycol (below 4°C Evaporator LWT)

Table 1 - Water heat exchanger - Minimum and maximum water Δt

A - Δt	°C	8
B - Δt	°C	4
C - Δt	°C	8
D - Δt	°C	4

Legend:

- A = Max evaporator water Δt
- B = Min evaporator water Δt
- C = Max condenser water Δt
- D = Min condenser water Δt

Table 2 - Water heat exchanger - Evaporator Fouling factors

A	B	C	D
0.0176	1.000	1.000	1.000
0.0440	0.978	0.986	0.992
0.0880	0.957	0.974	0.983
0.1320	0.938	0.962	0.975

Table 2 - Water heat exchanger - Condenser Fouling factors

A	B	C	D
0.0176	1.006	0.989	1.016
0.0440	1.000	1.000	1.000
0.0880	0.957	0.974	0.983
0.1320	0.938	0.962	0.975

Legend:

- A = Fouling factors (m² °C / kW)
- B = Cooling capacity correction factor
- C = Power input correction factor
- D = EER correction factor

Water content in cooling circuits The cooled water distribution circuits should have minimum water content to avoid excessive compressors start and stop. In fact, each time the compressor starts up, an excessive quantity of oil goes from the compressor sump and simultaneously there is a rise in the temperature of the compressor motor’s stator due to the inrush current during the start-up. To prevent damage to the compressors, have been envisaged the application of a device to limit frequent stops and restarts.

During the span of one hour there will be no more than 6 starts of the compressor. The plant side should therefore ensure that the overall water content allows a more constant functioning of the unit and consequently greater environmental comfort.

Water charge, flow and quality

Items (1) (6)	Cooling System			Cooling Water		Cooled Water		Heated water (2)		Tendency if out of criteria
	Circulating System		Once Flow	Circulating water [Below 20°C]	Supply water (4)	Circulating water [20°C ~ 60°C]	Supply water (4)	Circulating water [60°C ~ 80°C]	Supply water (4)	
	Circulating water	Supply water (4)	Flowing water							
pH	6.5 ~ 8.2	6.0 ~ 8.0	6.0 ~ 8.0	6.8 ~ 8.0	6.0 ~ 8.0	7.0 ~ 8.0	7.0 ~ 8.0	7.0 ~ 8.0	7.0 ~ 8.0	Corrosion + Scale
Items to be controlled:	Electrical conductivity	Below 80	Below 30	Below 80	Below 80	Below 30	Below 30	Below 30	Below 30	Corrosion + Scale
		[µS/cm] at 25°C	[Below 300]	[Below 800]	[Below 800]	[Below 300]	[Below 300]	[Below 300]	[Below 300]	Corrosion + Scale
	Chloride ion	Below 200	Below 50	Below 50	Below 200	Below 50	Below 50	Below 30	Below 30	Corrosion
	Sulfate ion	Below 200	Below 50	Below 50	Below 200	Below 50	Below 50	Below 30	Below 30	Corrosion
	M-alkalinity (pH4.8)	Below 100	Below 50	Below 50	Below 100	Below 50	Below 50	Below 50	Below 50	Scale
	Total hardness	Below 200	Below 70	Below 70	Below 200	Below 70	Below 70	Below 70	Below 70	Scale
	Calcium harness	Below 150	Below 50	Below 50	Below 50	Below 50	Below 50	Below 50	Below 50	Scale
	Silica ion	Below 50	Below 30	Below 30	Below 30	Below 30	Below 30	Below 30	Below 30	Scale
	Oxygen	Below 1.0	Below 1.0	Below 1.0	Below 1.0	Below 1.0	Below 1.0	Below 1.0	Below 1.0	Corrosion
	Particle size	Below 0.5	Below 0.5	Below 0.5	Below 0.5	Below 0.6	Below 0.5	Below 0.6	Below 0.6	Erosion
	Total dissolved solids	Below 1000	Below 1000	Below 1000	Below 1000	Below 1001	Below 1000	Below 1001	Below 1000	Erosion
	Ethylene, Propylene Glycol (weight conc.)	Below 60%	Below 60%	---	Below 60%	Below 60%	Below 60%	Below 60%	Below 60%	---
	Nitrate ion	Below 100	Below 100	Below 100	Below 100	Below 101	Below 100	Below 101	Below 101	Corrosion
	TOC Total organic carbon	Below 1.0	Below 1.0	Below 1.0	Below 1.0	Below 1.0	Below 1.0	Below 1.0	Below 1.0	Scale
	Iron	Below 1.0	Below 0.3	Below 1.0	Below 1.0	Below 0.3	Below 1.0	Below 0.3	Below 0.3	Corrosion + Scale
Copper	Below 0.3	Below 0.1	Below 1.0	Below 1.0	Below 1.0	Below 1.0	Below 0.1	Below 1.0	Corrosion	
Sulfite ion	Not detectable	Not detectable	Not detectable	Not detectable	Not detectable	Not detectable	Not detectable	Not detectable	Corrosion	
Ammonium ion	Below 1.0	Below 0.1	Below 1.0	Below 1.0	Below 0.1	Below 0.3	Below 0.1	Below 0.1	Corrosion	
Remaining chloride	Below 0.3	Below 0.3	Below 0.3	Below 0.3	Below 0.3	Below 0.25	Below 0.3	Below 0.3	Corrosion	
Free carbide	Below 4.0	Below 4.0	Below 4.0	Below 4.0	Below 4.0	Below 0.4	Below 4.0	Below 4.0	Corrosion	
Stability index	6.0 ~ 7.0	---	---	---	---	---	---	---	Corrosion + Scale	
Items to be referred to:										

1 Names, definitions and units are according to JIS K 0101. Units and figures between brackets are old units published as reference only.

2 In case of using heated water (more than 40°C), corrosion is generally noticeable.

Especially when the iron materials is in direct contact with water without any protection shields, it is desirable to give the valid measure for corrosion. E.g. chemical measure

3 In the cooling water using hermetic cooling tower, close circuit water is according to heated water standard, and scattered water is according to cooling water standard.

4 Supply water is considered drink water, industrial water and ground water except for genuine water, neutral water and soft water.

5 The above mentioned items are representable items in corrosion and scale cases.

6 The limits above have to be considered as a general prescription and can not totally assure the absence of corrosion and erosion.

Some particular combinations of elements or the presence of components not listed in the table or factors not considered may trigger corrosion phenomena.

EWVQ G-SS

		090						100					
Twe	Twc	30	35	40	45	50	55	30	35	40	45	50	55
5	CC kW	92.3	88.2	83.7	78.8	73.6	68	104	99.3	94.1	88.6	82.8	76.9
	PI kW	19.2	21	22.9	24.9	27.2	29.8	21.8	23.7	25.8	28.3	31.1	34.5
	qwe l/s	4.4	4.2	4.0	3.8	3.5	3.3	5.0	4.8	4.5	4.2	4.0	3.7
	dpwe kPa	47	43	39	34	30	26	48	43	39	34	30	26
	HC kW	111	108	106	103	100	97.1	125	122	119	116	113	111
	qwc l/s	5.4	5.3	5.1	5.0	4.9	4.8	6.0	5.9	5.8	5.7	5.5	5.4
	dpwc kPa	68	65	62	59	56	53	69	66	63	60	57	55
7	CC kW	98	93.7	89.1	84	78.5	72.6	111	106	100	94.5	88.5	82.2
	PI kW	19.5	21.3	23.2	25.2	27.5	30	22.1	24	26.2	28.6	31.4	34.7
	qwe l/s	4.7	4.5	4.3	4.0	3.8	3.5	5.3	5.1	4.8	4.5	4.2	3.9
	dpwe kPa	53.4	48.8	44.0	39.1	34.1	29.2	53.9	49.0	44.1	39.2	34.3	29.6
	HC kW	117	114	111	108	105	102	132	129	126	122	119	116
	qwc l/s	6	6	5	5	5	5	6	6	6	6	6	6
	dpwc kPa	75	72	69	66	62	58	76	73	70	66	63	60
9	CC kW	104	99.4	94.5	89.3	83.6	77.4	117	112	107	101	94.3	87.8
	PI kW	19.7	21.6	23.5	25.6	27.8	30.3	22.4	24.3	26.5	29	31.8	35
	qwe l/s	5.0	4.8	4.5	4.3	4.0	3.7	5.6	5.4	5.1	4.8	4.5	4.2
	dpwe kPa	60	55	50	44	39	33	61	55	50	45	39	34
	HC kW	123	120	117	114	111	107	139	135	132	129	125	122
	qwc l/s	5.9	5.8	5.7	5.5	5.4	5.2	6.7	6.6	6.4	6.3	6.1	6.0
	dpwc kPa	83	80	76	72	68	64	85	81	77	73	70	66
11	CC kW	110	105	100	94.8	88.8	82.5	124	119	113	107	100	93.6
	PI kW	19.9	21.8	23.8	25.9	28.1	30.6	22.7	24.7	26.9	29.3	32.2	35.4
	qwe l/s	5.3	5.1	4.8	4.6	4.3	4.0	6.0	5.7	5.4	5.1	4.8	4.5
	dpwe kPa	68	62	56	50	44	38	68	62	56	50	45	39
	HC kW	129	126	123	120	116	112	146	142	139	135	132	128
	qwc l/s	6.2	6.1	6.0	5.8	5.7	5.5	7.1	6.9	6.7	6.6	6.4	6.3
	dpwc kPa	92	88	84	80	75	71	94	89	85	81	77	73
13	CC kW	116	111	106	100	94.3	87.7	132	126	120	113	107	99.6
	PI kW	20.1	22.1	24.2	26.2	28.5	31	23.1	25.1	27.3	29.7	32.5	35.7
	qwe l/s	5.6	5.4	5.1	4.8	4.5	4.2	6.3	6.1	5.8	5.5	5.1	4.8
	dpwe kPa	76	70	63	56	50	43	77	70	64	57	50	44
	HC kW	135	132	129	126	122	118	153	150	146	142	138	134
	qwc l/s	6.5	6.4	6.3	6.1	5.9	5.8	7.4	7.2	7.1	6.9	6.7	6.6
	dpwc kPa	101	97	93	88	83	78	103	99	94	89	85	80
15	CC kW	123	118	112	106	99.9	93.1	139	133	127	120	113	106
	PI kW	20.3	22.4	24.5	26.6	28.9	31.3	23.5	25.5	27.7	30.2	33	36.2
	qwe l/s	5.9	5.7	5.4	5.1	4.8	4.5	6.7	6.4	6.1	5.8	5.4	5.1
	dpwe kPa	85	78	71	63	56	48	86	79	71	64	57	50
	HC kW	142	139	136	132	128	123	161	157	153	149	145	141
	qwc l/s	6.8	6.7	6.6	6.4	6.2	6.0	7.8	7.6	7.4	7.2	7.1	6.9
	dpwc kPa	111	107	102	97	91	85	114	109	103	98	93	88

EWVQ G-SS

Twe	Twc	120						130					
		30	35	40	45	50	55	30	35	40	45	50	55
5	CC kW	118	112	105	99.2	92.9	86.4	134	127	120	112	104	95.9
	PI kW	24.4	26.5	29	32	35.5	39.6	27.6	30.1	33	36.3	40.1	44.5
	qwe l/s	5.6	5.3	5.1	4.8	4.4	4.1	6.4	6.1	5.7	5.4	5.0	4.6
	dpwe kPa	38	34	31	27	24	21	32	29	26	23	19	16
	HC kW	141	137	134	131	128	125	161	157	152	148	144	140
	qwc l/s	6.8	6.7	6.5	6.4	6.3	6.2	7.8	7.6	7.4	7.2	7.1	6.9
	dpwc kPa	56	54	51	49	47	45	47	45	42	40	38	36
7	CC kW	125	119	113	106	99.3	92.5	143	136	128	120	112	103
	PI kW	24.8	26.9	29.4	32.3	35.8	39.9	28	30.5	33.4	36.7	40.5	44.9
	qwe l/s	6.0	5.7	5.4	5.1	4.8	4.4	6.9	6.5	6.1	5.8	5.3	4.9
	dpwe kPa	43.3	39.1	34.9	30.9	27.1	23.5	36.7	33.0	29.4	25.7	22.2	18.8
	HC kW	149	145	141	138	134	132	170	166	161	156	151	147
	qwc l/s	7	7	7	7	7	7	8	8	8	8	7	7
	dpwc kPa	63	60	57	54	52	50	53	50	47	45	42	40
9	CC kW	133	127	120	113	106	98.8	152	145	137	128	119	110
	PI kW	25.2	27.3	29.8	32.7	36.2	40.3	28.4	30.9	33.7	37	40.9	45.2
	qwe l/s	6.4	6.1	5.8	5.4	5.1	4.7	7.3	6.9	6.6	6.1	5.7	5.3
	dpwe kPa	49	44	40	35	31	27	42	38	33	29	25	22
	HC kW	158	153	149	145	141	138	180	175	169	164	159	154
	qwc l/s	7.6	7.4	7.3	7.1	6.9	6.8	8.7	8.5	8.3	8.0	7.8	7.6
	dpwc kPa	70	67	63	60	57	55	59	56	52	49	47	44
11	CC kW	142	135	128	120	113	105	162	154	145	136	127	117
	PI kW	25.7	27.7	30.2	33.1	36.6	40.6	28.9	31.3	34.1	37.4	41.2	45.6
	qwe l/s	6.8	6.5	6.1	5.8	5.4	5.1	7.8	7.4	7.0	6.6	6.1	5.6
	dpwe kPa	56	50	45	40	35	31	47	43	38	33	29	25
	HC kW	166	161	157	153	149	145	190	184	179	173	167	162
	qwc l/s	8.1	7.8	7.6	7.5	7.3	7.1	9.2	8.9	8.7	8.4	8.2	7.9
	dpwc kPa	78	74	70	67	63	61	65	62	58	55	51	48
13	CC kW	150	143	136	128	120	112	172	163	154	145	135	125
	PI kW	26.2	28.2	30.7	33.6	37	41	29.4	31.8	34.6	37.9	41.6	46
	qwe l/s	7.2	6.9	6.5	6.2	5.8	5.4	8.3	7.8	7.4	7.0	6.5	6.0
	dpwe kPa	63	57	51	46	40	35	53	48	43	38	33	28
	HC kW	175	170	165	161	156	152	200	194	188	182	176	170
	qwc l/s	8.5	8.3	8.0	7.8	7.7	7.5	9.7	9.4	9.1	8.9	8.6	8.3
	dpwc kPa	87	82	78	74	70	67	73	68	64	61	57	53
15	CC kW	159	152	144	136	128	120	182	173	164	154	144	133
	PI kW	26.7	28.8	31.2	34	37.4	41.5	30	32.4	35.1	38.3	42.1	46.4
	qwe l/s	7.7	7.3	6.9	6.6	6.2	5.8	8.8	8.3	7.9	7.4	6.9	6.4
	dpwe kPa	71	64	58	51	45	40	60	54	48	43	37	32
	HC kW	185	179	174	169	164	160	211	204	198	191	185	178
	qwc l/s	8.9	8.7	8.5	8.2	8.0	7.9	10.2	9.9	9.6	9.3	9.0	8.7
	dpwc kPa	96	91	86	81	77	74	80	76	71	67	63	59

EWVQ G-SS

Twe	Twc	150						170					
		30	35	40	45	50	55	30	35	40	45	50	55
5	CC kW	148	141	133	124	116	106	170	162	153	143	133	122
	PI kW	30.7	33.5	36.7	40.4	44.6	49.2	35.2	38.4	42.1	46.4	51.2	56.8
	qwe l/s	7.1	6.7	6.3	5.9	5.5	5.1	8.1	7.7	7.3	6.8	6.3	5.8
	dpwe kPa	32	29	26	22	19	16	34	30	27	24	21	17
	HC kW	178	173	169	164	159	155	204	199	194	189	183	178
	qwc l/s	8.6	8.4	8.2	8.0	7.8	7.6	9.9	9.7	9.4	9.2	9.0	8.7
	dpwc kPa	47	45	43	41	38	36	49	47	44	42	40	38
7	CC kW	158	150	142	133	123	113	181	172	163	153	142	130
	PI kW	31.1	33.9	37.1	40.8	44.9	49.6	35.7	38.9	42.6	46.8	51.7	57.2
	qwe l/s	7.6	7.2	6.8	6.3	5.9	5.4	8.7	8.2	7.8	7.3	6.8	6.2
	dpwe kPa	36.2	32.6	29.1	25.5	22.0	18.6	38.2	34.5	30.8	27.1	23.4	19.7
	HC kW	188	183	178	173	168	162	216	210	204	199	193	187
	qwc l/s	9	9	9	8	8	8	10	10	10	10	9	9
	dpwc kPa	53	50	47	45	42	40	55	52	49	47	44	42
9	CC kW	168	160	151	141	132	121	193	183	173	163	151	139
	PI kW	31.5	34.3	37.5	41.2	45.3	50	36.3	39.4	43.1	47.3	52.1	57.6
	qwe l/s	8.1	7.7	7.2	6.8	6.3	5.8	9.2	8.8	8.3	7.8	7.2	6.7
	dpwe kPa	41	37	33	29	25	21	43	39	35	31	27	23
	HC kW	198	193	187	182	176	170	228	221	215	209	202	196
	qwc l/s	9.6	9.4	9.1	8.9	8.6	8.3	11.0	10.7	10.5	10.2	9.9	9.6
	dpwc kPa	59	56	53	50	47	44	61	58	55	52	49	46
11	CC kW	178	170	160	151	140	129	204	195	184	173	161	148
	PI kW	32	34.8	38	41.6	45.7	50.3	36.9	40	43.7	47.8	52.6	58.1
	qwe l/s	8.6	8.1	7.7	7.2	6.7	6.2	9.8	9.3	8.8	8.3	7.7	7.1
	dpwe kPa	46	42	38	33	29	24	49	44	40	35	30	26
	HC kW	209	203	197	191	185	178	240	233	227	220	212	205
	qwc l/s	10.1	9.9	9.6	9.3	9.0	8.7	11.6	11.3	11.0	10.7	10.4	10.0
	dpwc kPa	65	62	58	55	52	48	68	64	61	57	54	50
13	CC kW	189	180	170	160	149	137	217	206	195	184	171	157
	PI kW	32.6	35.3	38.4	42	46.1	50.7	37.6	40.7	44.3	48.4	53.2	58.6
	qwe l/s	9.1	8.7	8.2	7.7	7.2	6.6	10.4	9.9	9.4	8.8	8.2	7.6
	dpwe kPa	52	47	42	37	32	28	55	50	45	39	34	29
	HC kW	221	214	208	201	194	187	253	246	238	231	223	215
	qwc l/s	10.7	10.4	10.1	9.8	9.5	9.2	12.2	11.9	11.6	11.2	10.9	10.5
	dpwc kPa	72	68	65	61	57	53	75	71	67	63	59	55
15	CC kW	201	191	181	170	158	146	230	219	207	195	181	167
	PI kW	33.2	35.9	39	42.5	46.5	51.1	38.3	41.4	44.9	49	53.8	59.2
	qwe l/s	9.7	9.2	8.7	8.2	7.6	7.0	11.1	10.5	10.0	9.4	8.7	8.0
	dpwe kPa	59	53	48	42	37	31	62	56	50	44	39	33
	HC kW	232	225	218	211	204	196	266	258	250	242	234	225
	qwc l/s	11.2	10.9	10.6	10.3	10.0	9.6	12.9	12.5	12.2	11.8	11.4	11.0
	dpwc kPa	80	76	71	67	63	58	83	79	74	69	65	60

EWVQ G-SS

Twe	Twc	190						210						
		30	35	40	45	50	55	30	35	40	45	50	55	
5	CC	kW	191	182	172	162	151	140	218	207	196	183	170	156
	PI	kW	39.6	43.2	47.4	52.3	57.8	64.2	46.6	50.6	55.1	60.4	66.5	73.6
	qwe	l/s	9.1	8.7	8.2	7.7	7.2	6.7	10.4	9.9	9.4	8.8	8.1	7.5
	dpwe	kPa	36	32	29	26	22	19	33	30	27	23	20	17
	HC	kW	230	224	219	213	208	204	264	257	250	243	236	229
	qwc	l/s	11.1	10.8	10.6	10.4	10.1	9.9	12.7	12.4	12.0	11.7	11.4	11.1
	dpwc	kPa	52	50	48	46	44	42	44	42	40	37	35	33
7	CC	kW	204	194	184	173	162	150	232	221	209	196	182	167
	PI	kW	40.2	43.8	48	52.8	58.3	64.7	47.3	51.2	55.7	60.9	67	74
	qwe	l/s	9.8	9.3	8.8	8.3	7.7	7.2	11.1	10.6	10.0	9.4	8.7	8.0
	dpwe	kPa	40.5	36.7	32.9	29.2	25.5	21.9	37.4	33.8	30.2	26.5	22.9	19.3
	HC	kW	242	236	230	225	219	214	278	271	263	256	248	240
	qwc	l/s	12	11	11	11	11	10	13	13	13	12	12	12
	dpwc	kPa	59	56	53	51	48	46	49	46	44	41	39	37
9	CC	kW	216	206	196	184	172	160	247	235	222	208	194	178
	PI	kW	40.8	44.4	48.6	53.4	58.9	65.2	48	52	56.4	61.6	67.5	74.5
	qwe	l/s	10.4	9.9	9.4	8.8	8.3	7.7	11.8	11.3	10.6	10.0	9.3	8.5
	dpwe	kPa	46	42	38	33	29	25	42	38	34	30	26	22
	HC	kW	256	249	243	236	230	224	294	285	277	269	260	251
	qwc	l/s	12.3	12.1	11.8	11.5	11.2	10.9	14.1	13.7	13.4	13.0	12.6	12.2
	dpwc	kPa	65	62	59	56	53	51	55	52	49	46	43	40
11	CC	kW	230	219	208	196	184	170	262	250	236	221	206	189
	PI	kW	41.5	45.1	49.2	54	59.5	65.8	48.9	52.7	57.1	62.3	68.1	75
	qwe	l/s	11.0	10.5	10.0	9.4	8.8	8.2	12.6	12.0	11.3	10.6	9.9	9.1
	dpwe	kPa	52	47	42	38	33	29	48	43	39	34	30	25
	HC	kW	270	263	256	249	242	235	310	301	292	282	273	263
	qwc	l/s	13.0	12.7	12.4	12.1	11.8	11.5	14.9	14.5	14.1	13.6	13.2	12.8
	dpwc	kPa	72	69	65	62	59	56	61	57	54	51	47	44
13	CC	kW	244	233	221	208	195	181	278	265	250	235	219	202
	PI	kW	42.3	45.8	49.9	54.7	60.2	66.4	49.7	53.5	57.9	63	68.8	75.6
	qwe	l/s	11.7	11.2	10.6	10.0	9.4	8.7	13.4	12.7	12.0	11.3	10.5	9.7
	dpwe	kPa	59	53	48	43	37	32	54	49	44	39	33	28
	HC	kW	284	277	269	262	254	247	326	317	307	297	286	276
	qwc	l/s	13.7	13.4	13.0	12.7	12.4	12.0	15.7	15.2	14.8	14.3	13.8	13.4
	dpwc	kPa	80	76	72	69	65	61	67	64	60	56	52	48
15	CC	kW	258	246	234	221	207	193	295	281	266	250	232	214
	PI	kW	43.2	46.7	50.7	55.4	60.9	67.1	50.6	54.3	58.7	63.7	69.5	76.2
	qwe	l/s	12.4	11.9	11.3	10.6	10.0	9.3	14.2	13.5	12.8	12.0	11.2	10.3
	dpwe	kPa	66	60	54	48	42	37	61	55	49	44	38	32
	HC	kW	299	291	283	275	267	259	344	333	323	312	300	289
	qwc	l/s	14.4	14.1	13.7	13.3	13.0	12.6	16.5	16.0	15.5	15.0	14.5	14.0
	dpwc	kPa	89	85	80	76	71	67	75	70	66	62	57	53

EWVQ G-SS

Twe	Twc	240						300						
		30	35	40	45	50	55	30	35	40	45	50	55	
5	CC	kW	242	231	219	207	193	179	309	295	280	265	248	230
	PI	kW	51.2	55.6	60.7	66.5	73	80.4	63.5	69.1	75.6	83.1	91.6	101
	qwe	l/s	11.6	11.1	10.5	9.9	9.2	8.6	14.8	14.1	13.4	12.6	11.9	11.0
	dpwe	kPa	41	37	33	29	26	22	45	41	37	33	29	25
	HC	kW	292	286	279	272	265	259	371	362	354	346	338	330
	qwc	l/s	14.1	13.8	13.5	13.2	12.9	12.6	17.9	17.5	17.1	16.8	16.4	16.1
	dpwc	kPa	54	52	49	47	45	43	65	62	60	57	54	52
	7	CC	kW	258	246	233	220	206	191	329	314	299	282	265
PI	kW	52.3	56.6	61.7	67.4	73.9	81.2	64.7	70.2	76.6	84	92.5	102	
qwe	l/s	12.4	11.8	11.2	10.5	9.9	9.2	15.8	15.1	14.3	13.5	12.7	11.8	
dpwe	kPa	46.0	41.8	37.7	33.5	29.4	25.3	51.3	46.8	42.2	37.7	33.1	28.6	
HC	kW	309	301	294	286	279	272	392	382	373	364	355	346	
qwc	l/s	15	15	14	14	14	13	19	19	18	18	17	17	
dpwc	kPa	60	57	55	52	49	47	72	69	66	63	60	57	
9	CC	kW	274	261	248	234	220	204	349	334	318	301	282	263
	PI	kW	53.4	57.7	62.7	68.4	74.8	82.1	66	71.4	77.7	85.1	93.4	103
	qwe	l/s	13.1	12.5	11.9	11.2	10.5	9.8	16.8	16.0	15.2	14.4	13.5	12.6
	dpwe	kPa	52	47	43	38	33	29	58	53	48	43	38	33
	HC	kW	326	318	309	301	293	285	413	403	393	383	374	364
	qwc	l/s	15.7	15.3	14.9	14.6	14.2	13.8	19.9	19.5	19.0	18.6	18.1	17.7
	dpwc	kPa	67	64	61	58	55	52	81	77	73	70	66	63
	11	CC	kW	291	278	264	249	234	217	371	355	338	320	300
PI	kW	54.7	58.9	63.8	69.4	75.8	83.1	67.5	72.8	79	86.2	94.5	104	
qwe	l/s	14.0	13.3	12.7	12.0	11.2	10.4	17.8	17.0	16.2	15.4	14.4	13.4	
dpwe	kPa	59	54	48	43	38	33	65	60	54	49	43	37	
HC	kW	343	335	326	317	308	299	435	425	414	404	393	382	
qwc	l/s	16.5	16.1	15.7	15.3	14.9	14.5	21.0	20.5	20.0	19.6	19.1	18.6	
dpwc	kPa	74	71	67	64	60	57	90	85	81	77	73	70	
13	CC	kW	308	294	280	265	248	231	393	376	358	340	320	298
	PI	kW	56.1	60.2	65	70.5	76.8	84.1	69.1	74.2	80.3	87.4	95.6	105
	qwe	l/s	14.8	14.1	13.4	12.7	11.9	11.1	18.9	18.1	17.2	16.3	15.4	14.3
	dpwe	kPa	66	60	55	49	43	37	74	68	61	55	49	42
	HC	kW	362	352	343	333	324	314	459	447	436	424	413	401
	qwc	l/s	17.4	17.0	16.6	16.1	15.7	15.2	22.1	21.6	21.1	20.6	20.0	19.5
	dpwc	kPa	83	79	74	70	67	63	99	95	90	86	81	77
	15	CC	kW	326	312	297	281	264	246	416	398	380	360	339
PI	kW	57.6	61.6	66.3	71.7	78	85.1	70.9	75.9	81.8	88.8	96.9	106	
qwe	l/s	15.7	15.0	14.3	13.5	12.7	11.8	20.0	19.2	18.3	17.3	16.3	15.2	
dpwe	kPa	74	68	61	55	48	42	83	76	69	62	55	48	
HC	kW	381	371	361	350	340	329	483	471	458	446	433	421	
qwc	l/s	18.3	17.9	17.4	16.9	16.5	16.0	23.3	22.7	22.2	21.6	21.0	20.5	
dpwc	kPa	92	87	82	78	73	69	110	105	100	94	89	84	

EWVQ G-SS

		360						
Twe	Twc	30	35	40	45	50	55	
5	CC kW	364	348	331	312	293	272	
	PI kW	75.9	82.9	91	100	111	123	
	qwe l/s	17.4	16.6	15.8	14.9	14.0	13.0	
	dpwe kPa	45	41	37	33	29	25	
	HC kW	438	429	420	411	402	393	
	qwc l/s	21.1	20.7	20.3	19.9	19.5	19.1	
	dpwc kPa	67	64	62	59	57	54	
7	CC kW	387	370	352	333	312	291	
	PI kW	77.2	84	92	101	112	124	
	qwe l/s	18.6	17.7	16.9	15.9	14.9	13.9	
	dpwe kPa	51.3	46.8	42.3	37.8	33.3	28.8	
	HC kW	462	452	442	432	422	412	
	qwc l/s	22	22	21	21	21	20	
	dpwc kPa	74	71	68	65	63	60	
9	CC kW	411	394	375	354	333	310	
	PI kW	78.5	85.2	93.1	102	113	125	
	qwe l/s	19.7	18.9	18.0	17.0	15.9	14.9	
	dpwe kPa	58	53	48	43	38	33	
	HC kW	487	476	465	454	443	433	
	qwc l/s	23.5	23.0	22.5	22.0	21.5	21.0	
	dpwc kPa	83	79	76	72	69	66	
11	CC kW	436	418	398	377	355	331	
	PI kW	80.1	86.6	94.4	103	114	126	
	qwe l/s	21.0	20.1	19.1	18.1	17.0	15.9	
	dpwe kPa	65	60	54	49	43	37	
	HC kW	513	501	489	478	466	454	
	qwc l/s	24.7	24.2	23.7	23.1	22.6	22.1	
	dpwc kPa	92	88	84	80	76	72	
13	CC kW	462	443	422	400	377	352	
	PI kW	81.7	88.1	95.7	105	115	127	
	qwe l/s	22.2	21.3	20.3	19.2	18.1	16.9	
	dpwe kPa	74	67	61	55	49	43	
	HC kW	540	527	514	502	489	476	
	qwc l/s	26.0	25.4	24.9	24.3	23.7	23.1	
	dpwc kPa	102	97	92	88	84	80	
15	CC kW	489	469	447	424	400	374	
	PI kW	83.6	89.8	97.2	106	116	128	
	qwe l/s	23.6	22.6	21.5	20.4	19.2	18.0	
	dpwe kPa	83	76	69	62	55	48	
	HC kW	568	554	541	527	513	499	
	qwc l/s	27.4	26.8	26.1	25.5	24.9	24.3	
	dpwc kPa	112	107	102	97	92	87	

Fluid: Water

Twe: Evaporator leaving water temperature (Δt 5°C); Twc: Condenser leaving water temperature (Δt 5°C);

HC: Heat capacity at condenser; qwc: Fluid flow rate at condenser; dpwc: Fluid pressure drop at condenser

qwc: Fluid flow rate at condenser; dpwc: Fluid pressure drop at condenser

* For working condition where dpw value is "Italic-Red Color" please contact factory

EWVQ L-SS

Twe	Twc	180						205					
		30	35	40	45	50	55	30	35	40	45	50	55
5	CC kW	185	176	167	158	147	136	212	202	191	180	168	156
	PI kW	37.6	41.2	44.9	49	53.5	58.7	42.8	46.7	51	56	61.7	68.4
	qwe l/s	8.8	8.4	8.0	7.5	7.0	6.5	10.1	9.6	9.1	8.6	8.1	7.5
	dpwe kPa	27	25	22	20	17	15	27	24	22	19	17	15
	HC kW	221	216	211	205	199	193	253	247	241	235	229	223
	qwc l/s	5.3	5.2	5.1	5.0	4.9	4.7	6.1	6.0	5.9	5.7	5.6	5.5
	dpwc kPa	68	65	62	59	56	53	69	66	63	60	57	55
7	CC kW	196	187	178	168	157	145	226	215	204	192	180	167
	PI kW	38	41.7	45.5	49.6	54.1	59.2	43.4	47.3	51.7	56.6	62.3	68.9
	qwe l/s	9.4	9.0	8.5	8.0	7.5	6.9	10.8	10.3	9.8	9.2	8.6	8.0
	dpwe kPa	30.7	28.0	25.3	22.4	19.6	16.8	30.4	27.6	24.8	22.0	19.3	16.6
	HC kW	232	227	222	216	209	203	267	261	254	247	241	235
	qwc l/s	5.6	5.5	5.4	5.3	5.1	5.0	6.5	6.3	6.2	6.0	5.9	5.8
	dpwc kPa	75	72	69	65	62	58	77	73	70	66	63	60
9	CC kW	208	199	189	178	167	155	240	229	217	205	192	179
	PI kW	38.4	42.2	46.1	50.2	54.7	59.7	43.9	47.9	52.3	57.2	62.9	69.5
	qwe l/s	10.0	9.5	9.1	8.6	8.0	7.4	11.5	11.0	10.4	9.8	9.2	8.6
	dpwe kPa	35	32	29	25	22	19	34	31	28	25	22	19
	HC kW	245	239	233	227	220	213	282	275	267	260	253	246
	qwc l/s	5.9	5.8	5.7	5.5	5.4	5.2	6.8	6.7	6.5	6.4	6.2	6.1
	dpwc kPa	83	80	76	72	68	64	85	81	77	73	70	66
11	CC kW	221	211	201	190	178	165	255	243	231	218	204	190
	PI kW	38.7	42.7	46.6	50.8	55.3	60.3	44.6	48.6	53	57.9	63.5	70.1
	qwe l/s	10.6	10.1	9.6	9.1	8.5	7.9	12.2	11.6	11.1	10.4	9.8	9.1
	dpwe kPa	39	36	32	29	25	22	39	35	32	28	25	22
	HC kW	257	252	245	239	231	223	297	289	282	274	266	259
	qwc l/s	6.2	6.1	6.0	5.8	5.6	5.5	7.2	7.0	6.9	6.7	6.5	6.4
	dpwc kPa	92	88	84	80	75	70	94	90	86	81	77	73
13	CC kW	234	224	213	201	189	175	270	258	245	231	217	203
	PI kW	39	43.2	47.2	51.4	56	60.9	45.2	49.3	53.8	58.7	64.3	70.7
	qwe l/s	11.2	10.7	10.2	9.6	9.1	8.4	13.0	12.4	11.8	11.1	10.4	9.7
	dpwe kPa	44	40	36	32	29	25	44	40	36	32	28	25
	HC kW	270	264	258	251	243	234	312	304	296	288	279	271
	qwc l/s	6.5	6.4	6.3	6.1	5.9	5.7	7.6	7.4	7.2	7.0	6.8	6.7
	dpwc kPa	101	97	93	88	83	77	105	100	95	90	85	80
15	CC kW	247	237	225	213	200	186	286	273	260	246	231	215
	PI kW	39.4	43.6	47.8	52.1	56.6	61.6	46	50.1	54.6	59.5	65.1	71.5
	qwe l/s	11.9	11.4	10.8	10.2	9.6	8.9	13.7	13.1	12.5	11.8	11.1	10.4
	dpwe kPa	49	45	41	37	32	28	49	45	40	36	32	28
	HC kW	284	278	271	263	255	246	329	320	311	302	294	285
	qwc l/s	6.9	6.7	6.6	6.4	6.2	6.0	8.0	7.8	7.6	7.4	7.2	7.0
	dpwc kPa	112	107	102	97	91	85	116	110	105	99	94	88

EWVQ L-SS

		230						260					
Twe	Twc	30	35	40	45	50	55	30	35	40	45	50	55
5	CC kW	241	229	216	204	190	177	270	256	241	226	210	193
	PI kW	48.1	52.4	57.4	63.3	70.3	78.5	54.5	59.5	65.2	71.8	79.5	88.3
	qwe l/s	11.5	10.9	10.3	9.7	9.1	8.5	12.9	12.2	11.5	10.8	10.0	9.2
	dpwe kPa	22	20	18	16	14	12	27	25	22	19	17	14
	HC kW	288	280	272	265	259	254	323	314	305	297	288	280
	qwc l/s	7.0	6.8	6.7	6.5	6.4	6.3	7.8	7.6	7.5	7.3	7.1	6.9
	dpwc kPa	58	55	52	50	48	46	47	44	42	40	38	36
7	CC kW	257	244	231	217	204	190	287	273	257	241	224	207
	PI kW	48.8	53.1	58.1	64	70.9	79.1	55.3	60.2	65.9	72.5	80.2	88.9
	qwe l/s	12.3	11.7	11.1	10.4	9.7	9.1	13.7	13.0	12.3	11.5	10.7	9.9
	dpwe kPa	25.1	22.6	20.2	17.9	15.7	13.6	31.1	28.0	25.0	21.9	19.0	16.1
	HC kW	304	296	287	280	273	267	341	331	322	312	303	294
	qwc l/s	7.4	7.2	7.0	6.9	6.7	6.6	8.3	8.1	7.9	7.7	7.5	7.3
	dpwc kPa	64	61	58	55	53	51	52	49	47	44	42	40
9	CC kW	274	260	246	232	217	203	305	290	274	257	239	220
	PI kW	49.6	53.8	58.8	64.7	71.6	79.8	56	61	66.7	73.3	80.9	89.6
	qwe l/s	13.1	12.5	11.8	11.1	10.4	9.7	14.6	13.9	13.1	12.3	11.4	10.6
	dpwe kPa	29	26	23	20	18	16	35	32	28	25	22	18
	HC kW	321	312	303	295	287	281	360	349	339	329	319	309
	qwc l/s	7.8	7.6	7.4	7.2	7.1	6.9	8.7	8.5	8.3	8.1	7.8	7.6
	dpwc kPa	72	68	64	61	58	56	58	55	52	49	46	44
11	CC kW	291	277	262	247	232	216	324	308	291	274	255	235
	PI kW	50.5	54.7	59.6	65.4	72.4	80.5	56.9	61.8	67.4	74	81.6	90.3
	qwe l/s	13.9	13.3	12.6	11.8	11.1	10.4	15.6	14.8	14.0	13.1	12.2	11.3
	dpwe kPa	32	29	26	23	20	18	40	36	32	28	25	21
	HC kW	339	329	320	311	302	295	379	368	357	346	335	324
	qwc l/s	8.2	8.0	7.8	7.6	7.4	7.3	9.2	9.0	8.7	8.5	8.2	8.0
	dpwc kPa	80	76	72	68	65	62	64	61	57	54	51	48
13	CC kW	309	294	279	263	247	231	344	327	310	291	271	250
	PI kW	51.4	55.6	60.5	66.3	73.1	81.2	57.9	62.7	68.3	74.8	82.3	91
	qwe l/s	14.8	14.1	13.4	12.6	11.8	11.1	16.5	15.7	14.9	14.0	13.0	12.0
	dpwe kPa	36	33	30	26	23	20	45	41	36	32	28	24
	HC kW	358	347	337	327	318	310	400	388	376	364	352	340
	qwc l/s	8.7	8.4	8.2	8.0	7.8	7.7	9.7	9.4	9.2	8.9	8.6	8.4
	dpwc kPa	89	84	79	75	71	68	71	67	64	60	56	53
15	CC kW	327	312	296	279	263	245	365	347	328	309	288	266
	PI kW	52.5	56.6	61.5	67.2	74	82.1	59	63.7	69.2	75.6	83.1	91.7
	qwe l/s	15.7	15.0	14.2	13.4	12.6	11.8	17.5	16.7	15.8	14.8	13.8	12.8
	dpwe kPa	41	37	33	30	26	23	51	46	41	36	32	27
	HC kW	377	366	355	344	334	325	421	408	395	382	369	356
	qwc l/s	9.1	8.9	8.7	8.4	8.2	8.0	10.2	9.9	9.6	9.3	9.1	8.8
	dpwc kPa	98	93	88	83	79	75	79	75	70	66	62	58

EWVQ L-SS

		290						330					
Twe	Twc	30	35	40	45	50	55	30	35	40	45	50	55
5	CC kW	300	285	269	252	234	215	340	324	306	287	267	245
	PI kW	60.7	66.4	72.8	80.2	88.5	97.8	69.7	76.2	83.7	92.2	102	113
	qwe l/s	14.3	13.6	12.8	12.0	11.2	10.3	16.3	15.5	14.6	13.7	12.8	11.7
	dpwe kPa	24	22	20	17	15	13	31	28	25	22	19	16
	HC kW	359	349	340	331	321	311	408	398	388	378	368	357
	qwc l/s	8.7	8.5	8.3	8.1	7.9	7.7	9.9	9.7	9.5	9.2	9.0	8.8
	dpwc kPa	47	45	43	41	39	36	48	46	44	42	40	38
7	CC kW	319	303	286	269	250	229	362	345	326	306	285	262
	PI kW	61.5	67.1	73.6	80.9	89.2	98.5	70.7	77.1	84.6	93	103	114
	qwe l/s	15.3	14.5	13.7	12.8	11.9	11.0	17.3	16.5	15.6	14.6	13.6	12.5
	dpwe kPa	27.8	25.1	22.4	19.7	17.0	14.3	35.6	32.2	28.8	25.4	22.0	18.6
	HC kW	379	369	358	348	337	327	431	420	409	397	386	374
	qwc l/s	9.2	9.0	8.7	8.5	8.3	8.0	10.4	10.2	10.0	9.7	9.5	9.2
	dpwc kPa	53	50	48	45	43	40	54	51	49	46	44	41
9	CC kW	339	323	305	286	266	245	385	366	347	326	303	279
	PI kW	62.3	67.9	74.3	81.6	89.9	99.2	71.8	78.1	85.5	93.9	104	115
	qwe l/s	16.3	15.4	14.6	13.7	12.7	11.7	18.4	17.5	16.6	15.6	14.5	13.4
	dpwe kPa	32	29	25	22	19	16	40	37	33	29	25	21
	HC kW	399	389	377	366	354	342	454	442	430	418	405	392
	qwc l/s	9.7	9.4	9.2	8.9	8.7	8.4	11.0	10.7	10.5	10.2	9.9	9.6
	dpwc kPa	59	56	53	50	47	44	60	57	54	51	48	45
11	CC kW	360	343	324	304	283	261	408	389	368	346	322	297
	PI kW	63.3	68.8	75.1	82.3	90.6	99.9	73	79.3	86.5	94.9	105	115
	qwe l/s	17.3	16.4	15.5	14.6	13.6	12.5	19.6	18.6	17.6	16.6	15.4	14.2
	dpwe kPa	36	32	29	25	22	19	46	41	37	33	28	24
	HC kW	421	409	397	385	372	359	479	466	452	439	425	411
	qwc l/s	10.2	9.9	9.7	9.4	9.1	8.8	11.6	11.3	11.0	10.7	10.4	10.1
	dpwc kPa	65	62	58	55	52	48	66	63	59	56	53	50
13	CC kW	382	364	344	323	301	278	433	412	390	367	342	316
	PI kW	64.3	69.7	76	83.2	91.3	101	74.3	80.5	87.7	96	106	116
	qwe l/s	18.4	17.5	16.5	15.5	14.4	13.3	20.8	19.8	18.7	17.6	16.4	15.1
	dpwe kPa	40	36	33	29	25	21	51	47	42	37	32	27
	HC kW	444	431	418	404	391	377	504	490	475	461	446	430
	qwc l/s	10.7	10.5	10.2	9.9	9.6	9.3	12.2	11.9	11.6	11.2	10.9	10.6
	dpwc kPa	72	68	65	61	57	53	73	69	66	62	58	54
15	CC kW	405	386	365	343	320	295	458	437	414	389	363	335
	PI kW	65.5	70.8	77	84.1	92.2	101	75.7	81.9	89	97.2	107	118
	qwe l/s	19.5	18.5	17.5	16.5	15.4	14.2	22.0	21.0	19.9	18.7	17.4	16.1
	dpwe kPa	45	41	37	32	28	24	58	52	47	41	36	31
	HC kW	467	453	439	425	410	395	531	515	500	484	467	450
	qwc l/s	11.3	11.0	10.7	10.4	10.0	9.7	12.8	12.5	12.2	11.8	11.4	11.1
	dpwc kPa	80	76	71	67	63	58	81	77	72	68	64	60

EWVQ L-SS

		380						430					
Twe	Twc	30	35	40	45	50	55	30	35	40	45	50	55
5	CC kW	381	363	344	324	303	281	425	404	382	359	333	306
	PI kW	78.6	85.9	94.3	104	115	128	89	96.7	105	116	127	141
	qwe l/s	18.2	17.3	16.4	15.5	14.5	13.4	20.3	19.3	18.3	17.1	15.9	14.6
	dpwe kPa	31	28	25	22	20	17	32	29	26	23	20	17
	HC kW	458	447	436	426	416	407	512	499	486	473	459	445
	qwc l/s	11.1	10.8	10.6	10.4	10.1	10.0	12.3	12.1	11.8	11.5	11.2	10.9
	dpwc kPa	52	50	48	45	43	42	43	41	39	37	35	33
7	CC kW	406	387	367	345	323	300	452	430	407	382	355	327
	PI kW	79.8	87	95.4	105	116	129	90.3	97.9	107	117	128	142
	qwe l/s	19.4	18.5	17.5	16.5	15.4	14.3	21.6	20.6	19.5	18.3	17.0	15.6
	dpwe kPa	35.2	31.9	28.7	25.4	22.2	19.2	36.2	32.8	29.3	25.9	22.4	18.9
	HC kW	483	472	460	448	437	427	540	526	512	497	482	467
	qwc l/s	11.7	11.4	11.1	10.9	10.7	10.4	13.0	12.7	12.4	12.0	11.7	11.4
	dpwc kPa	58	55	53	50	48	46	48	46	44	41	39	36
9	CC kW	432	412	390	368	344	320	480	457	433	406	378	348
	PI kW	81.1	88.3	96.5	106	117	130	91.8	99.3	108	118	129	143
	qwe l/s	20.7	19.7	18.7	17.6	16.5	15.3	23.0	21.9	20.7	19.5	18.1	16.6
	dpwe kPa	40	36	33	29	25	22	41	37	33	29	25	22
	HC kW	510	497	484	472	459	448	569	554	538	522	506	489
	qwc l/s	12.3	12.0	11.7	11.5	11.2	10.9	13.7	13.4	13.0	12.7	12.3	11.9
	dpwc kPa	65	62	59	56	53	50	54	51	48	45	43	40
11	CC kW	459	437	415	391	366	341	510	485	459	432	402	370
	PI kW	82.5	89.6	97.8	107	118	131	93.3	101	109	119	130	144
	qwe l/s	22.0	21.0	19.9	18.8	17.6	16.3	24.5	23.3	22.0	20.7	19.3	17.7
	dpwe kPa	45	41	37	33	29	25	46	42	38	33	29	24
	HC kW	538	524	510	496	482	469	600	583	566	548	530	512
	qwc l/s	13.0	12.7	12.4	12.1	11.8	11.5	14.5	14.1	13.7	13.3	12.9	12.5
	dpwc kPa	72	68	65	62	58	55	60	56	53	50	47	44
13	CC kW	486	464	441	416	390	362	540	515	487	458	427	394
	PI kW	84	91.1	99.2	109	120	132	94.8	102	111	120	132	145
	qwe l/s	23.4	22.3	21.1	20.0	18.7	17.4	26.0	24.7	23.4	22.0	20.5	18.9
	dpwe kPa	51	46	42	37	33	28	52	47	42	37	33	28
	HC kW	567	552	537	521	507	492	632	614	595	576	556	536
	qwc l/s	13.7	13.3	13.0	12.7	12.3	12.0	15.2	14.8	14.4	14.0	13.5	13.1
	dpwc kPa	80	76	72	68	64	61	66	63	59	55	52	48
15	CC kW	515	492	467	441	414	385	572	545	516	485	453	418
	PI kW	85.6	92.6	101	110	121	134	96.5	104	112	122	133	146
	qwe l/s	24.8	23.6	22.5	21.2	19.9	18.5	27.5	26.2	24.8	23.3	21.7	20.0
	dpwe kPa	57	52	47	42	37	32	59	53	48	42	37	31
	HC kW	597	581	564	548	532	516	665	645	625	604	583	561
	qwc l/s	14.4	14.0	13.7	13.3	12.9	12.6	16.0	15.6	15.1	14.6	14.2	13.7
	dpwc kPa	88	84	79	75	71	67	73	69	65	61	57	53

EWVQ L-SS

		480						540					
Twe	Twc	30	35	40	45	50	55	30	35	40	45	50	55
5	CC kW	469	447	425	401	376	349	540	517	492	465	437	407
	PI kW	98.9	108	117	129	142	156	112	122	133	146	161	178
	qwe l/s	22.4	21.4	20.3	19.2	17.9	16.6	25.8	24.7	23.5	22.2	20.9	19.4
	dpwe kPa	39	36	32	29	25	22	50	45	41	37	33	28
	HC kW	565	553	540	527	515	503	649	636	622	609	595	582
	qwc l/s	13.6	13.3	13.1	12.8	12.5	12.2	14.0	13.7	13.5	13.2	12.9	12.6
	dpwc kPa	53	51	49	47	45	42	41	39	37	36	34	33
7	CC kW	498	476	452	427	400	372	573	549	523	495	465	434
	PI kW	101	110	119	130	143	157	114	124	135	148	162	179
	qwe l/s	23.8	22.8	21.6	20.4	19.1	17.8	27.5	26.3	25.0	23.7	22.3	20.8
	dpwe kPa	44.3	40.4	36.5	32.5	28.6	24.7	56.2	51.4	46.6	41.8	36.9	32.1
	HC kW	596	582	569	555	541	527	684	669	655	640	625	610
	qwc l/s	14.4	14.0	13.7	13.4	13.1	12.8	14.8	14.5	14.2	13.9	13.5	13.2
	dpwc kPa	59	57	54	52	49	47	45	43	42	40	38	36
9	CC kW	528	505	480	454	426	396	608	582	555	526	495	462
	PI kW	103	112	121	132	145	159	116	126	137	150	164	181
	qwe l/s	25.3	24.2	23.0	21.7	20.4	19.0	29.2	27.9	26.6	25.2	23.7	22.1
	dpwe kPa	50	46	41	37	32	28	63	58	53	47	42	36
	HC kW	628	613	598	583	568	553	721	705	688	672	656	640
	qwc l/s	15.1	14.8	14.5	14.1	13.8	13.4	15.6	15.3	14.9	14.6	14.2	13.9
	dpwc kPa	66	63	60	57	54	51	51	48	46	44	42	40
11	CC kW	560	536	509	482	452	421	645	618	589	558	526	491
	PI kW	105	114	123	134	147	161	119	128	139	151	166	182
	qwe l/s	26.9	25.7	24.4	23.1	21.7	20.2	31.0	29.7	28.3	26.8	25.2	23.6
	dpwe kPa	56	52	47	42	37	32	71	66	59	53	47	41
	HC kW	662	646	629	613	596	579	759	742	724	706	688	671
	qwc l/s	15.9	15.6	15.2	14.8	14.5	14.1	16.5	16.1	15.7	15.3	14.9	14.6
	dpwc kPa	73	70	66	63	60	56	56	54	51	48	46	43
13	CC kW	593	567	540	511	480	448	683	654	624	592	558	522
	PI kW	108	116	125	136	149	163	121	130	141	154	168	184
	qwe l/s	28.5	27.3	25.9	24.5	23.0	21.5	32.8	31.5	30.0	28.4	26.8	25.0
	dpwe kPa	63	58	52	47	41	36	80	74	67	60	53	47
	HC kW	697	679	662	644	626	607	799	780	761	741	722	703
	qwc l/s	16.8	16.4	16.0	15.6	15.2	14.8	17.3	16.9	16.5	16.1	15.7	15.3
	dpwc kPa	81	77	73	69	66	62	62	59	56	54	51	48
15	CC kW	628	600	572	541	509	475	722	692	661	627	591	554
	PI kW	111	119	128	139	151	165	124	133	144	156	170	186
	qwe l/s	30.2	28.9	27.5	26.0	24.5	22.8	34.8	33.3	31.8	30.2	28.4	26.6
	dpwe kPa	71	65	59	53	47	41	90	83	75	68	60	53
	HC kW	733	714	695	676	656	637	841	820	799	778	757	736
	qwc l/s	17.7	17.2	16.8	16.4	15.9	15.5	18.3	17.8	17.4	16.9	16.5	16.0
	dpwc kPa	90	85	81	77	72	68	69	66	62	59	56	53

EWVQ L-SS

		600						660					
Twe	Twc	30	35	40	45	50	55	30	35	40	45	50	55
5	CC kW	601	575	547	517	485	451	652	624	594	562	528	492
	PI kW	126	138	151	166	183	202	139	152	166	183	202	224
	qwe l/s	28.8	27.5	26.1	24.7	23.2	21.6	31.2	29.9	28.4	26.9	25.3	23.5
	dpwe kPa	48	44	40	35	31	27	57	52	47	42	37	32
	HC kW	724	709	694	680	665	651	788	772	757	742	728	713
	qwc l/s	17.4	17.1	16.8	16.5	16.1	15.8	17.3	17.0	16.7	16.4	16.1	15.7
	dpwc kPa	63	61	58	56	54	52	63	61	58	56	54	52
7	CC kW	639	611	581	550	517	481	692	663	632	598	563	525
	PI kW	129	140	153	168	185	204	141	154	168	185	204	226
	qwe l/s	30.6	29.3	27.8	26.3	24.7	23.0	33.2	31.8	30.3	28.6	26.9	25.1
	dpwe kPa	54.2	49.5	44.9	40.1	35.4	30.7	64.5	59.1	53.6	48.0	42.4	36.9
	HC kW	763	747	730	714	698	682	829	813	796	779	763	747
	qwc l/s	18.4	18.0	17.7	17.3	16.9	16.6	18.3	17.9	17.6	17.2	16.8	16.5
	dpwc kPa	70	67	65	62	59	57	70	67	65	62	59	57
9	CC kW	677	648	618	585	550	513	734	703	670	635	598	558
	PI kW	131	142	155	170	186	206	144	156	170	187	206	227
	qwe l/s	32.5	31.1	29.6	28.0	26.3	24.6	35.2	33.7	32.2	30.5	28.7	26.8
	dpwe kPa	61	56	51	45	40	35	73	67	61	54	48	42
	HC kW	804	786	768	750	733	715	873	855	836	818	800	782
	qwc l/s	19.4	19.0	18.6	18.2	17.8	17.4	19.2	18.9	18.5	18.1	17.7	17.3
	dpwc kPa	78	75	71	68	65	62	78	75	71	68	65	62
11	CC kW	718	687	655	621	584	546	778	745	711	674	635	594
	PI kW	134	144	157	172	188	207	147	159	173	189	208	229
	qwe l/s	34.5	33.0	31.5	29.8	28.0	26.2	37.4	35.8	34.1	32.4	30.5	28.5
	dpwe kPa	69	63	57	51	46	40	82	75	68	61	54	48
	HC kW	846	827	807	788	768	749	919	899	878	858	839	819
	qwc l/s	20.4	19.9	19.5	19.1	18.6	18.2	20.3	19.8	19.4	19.0	18.5	18.1
	dpwc kPa	86	82	79	75	72	68	86	82	79	75	72	68
13	CC kW	760	728	694	658	620	580	823	789	753	714	674	631
	PI kW	137	147	160	174	191	209	150	162	175	192	210	231
	qwe l/s	36.5	35.0	33.4	31.6	29.8	27.8	39.6	38.0	36.2	34.3	32.4	30.3
	dpwe kPa	77	71	64	58	51	45	92	84	77	69	61	54
	HC kW	890	869	848	827	806	785	967	945	922	900	879	857
	qwc l/s	21.4	21.0	20.5	20.0	19.6	19.1	21.3	20.8	20.4	19.9	19.4	19.0
	dpwc kPa	95	91	87	83	79	75	95	91	87	83	79	75
15	CC kW	803	770	735	697	658	615	871	835	797	757	714	669
	PI kW	140	150	162	176	193	212	153	165	178	194	213	234
	qwe l/s	38.7	37.1	35.3	33.5	31.6	29.6	42.0	40.2	38.4	36.4	34.3	32.2
	dpwe kPa	87	79	72	65	58	51	103	95	86	78	69	61
	HC kW	936	913	891	868	845	822	1016	992	968	945	921	897
	qwc l/s	22.5	22.0	21.5	21.0	20.5	20.0	22.4	21.9	21.4	20.9	20.4	19.9
	dpwc kPa	106	101	96	91	87	82	106	101	96	91	87	82

EWVQ L-SS

		720						
Twe	Twc	30	35	40	45	50	55	
5	CC kW	709	679	647	613	576	537	
	PI kW	151	165	181	199	220	244	
	qwe l/s	34.0	32.5	31.0	29.3	27.6	25.7	
	dpwe kPa	67	62	56	50	44	38	
	HC kW	856	840	824	809	793	778	
	qwc l/s	20.6	20.3	20.0	19.6	19.3	19.0	
	dpwc kPa	64	62	60	58	55	54	
7	CC kW	753	721	687	651	613	572	
	PI kW	153	167	183	201	222	246	
	qwe l/s	36.1	34.6	32.9	31.2	29.4	27.4	
	dpwe kPa	75.7	69.4	63.1	56.6	50.1	43.6	
	HC kW	901	883	866	849	831	814	
	qwc l/s	21.7	21.3	21.0	20.6	20.2	19.9	
	dpwc kPa	71	68	66	63	61	59	
9	CC kW	798	764	729	692	652	609	
	PI kW	156	169	185	203	224	248	
	qwe l/s	38.3	36.7	35.0	33.2	31.3	29.2	
	dpwe kPa	85	78	71	64	57	50	
	HC kW	948	928	909	890	871	852	
	qwc l/s	22.9	22.4	22.0	21.6	21.2	20.8	
	dpwc kPa	79	75	73	70	67	64	
11	CC kW	845	810	773	734	692	647	
	PI kW	159	172	187	205	226	250	
	qwe l/s	40.7	39.0	37.1	35.2	33.2	31.1	
	dpwe kPa	96	88	80	72	64	56	
	HC kW	998	976	954	934	913	892	
	qwc l/s	24.1	23.6	23.1	22.6	22.2	21.7	
	dpwc kPa	87	83	80	77	73	70	
13	CC kW	894	858	819	777	733	687	
	PI kW	162	175	190	208	228	252	
	qwe l/s	43.1	41.3	39.4	37.4	35.3	33.0	
	dpwe kPa	108	99	90	81	72	63	
	HC kW	1049	1026	1002	979	956	933	
	qwc l/s	25.3	24.8	24.3	23.7	23.2	22.7	
	dpwc kPa	96	92	88	84	81	77	
15	CC kW	945	907	866	823	777	729	
	PI kW	166	178	193	211	231	254	
	qwe l/s	45.6	43.7	41.8	39.6	37.4	35.0	
	dpwe kPa	121	111	101	91	81	71	
	HC kW	1103	1078	1052	1027	1001	976	
	qwc l/s	26.6	26.0	25.5	24.9	24.3	23.8	
	dpwc kPa	106	102	97	93	88	84	

Fluid: Water

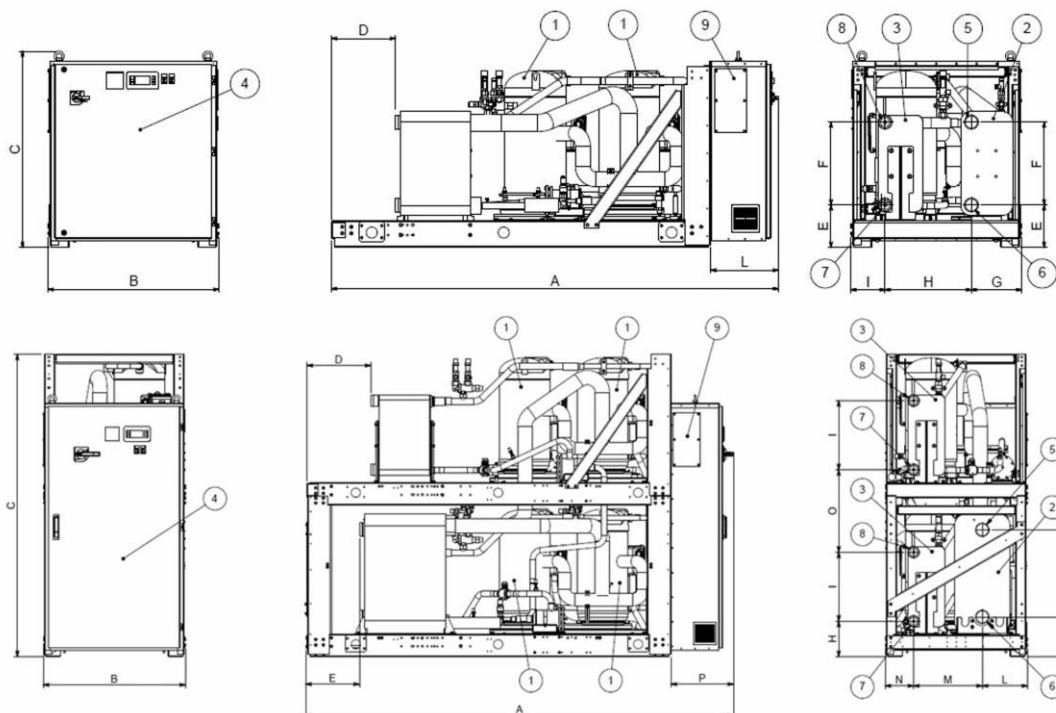
Twe: Evaporator leaving water temperature (Δt 5°C); Twc: Condenser leaving water temperature (Δt 5°C);

HC: Heat capacity at condenser; qwc: Fluid flow rate at condenser; dpwc: Fluid pressure drop at condenser

qwc: Fluid flow rate at condenser; dpwc: Fluid pressure drop at condenser

* For working condition where dpw value is "Italic-Red Color" please contact factory

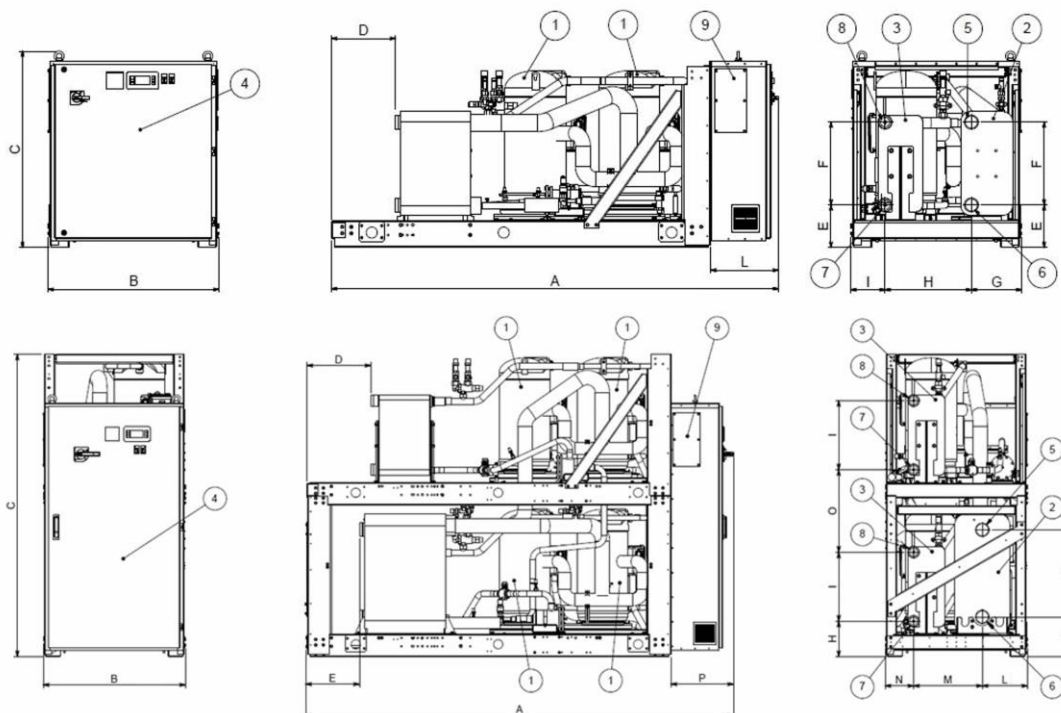




LEGEND

- 1: COMPRESSOR
- 2: EVAPORATOR
- 3: CONDENSER
- 4: ELECTRICAL PANEL
- 5: EVAPORATOR WATER INLET CONNECTION (VICTAULIC AS OPTION)
- 6: EVAPORATOR WATER OUTLET CONNECTION (VICTAULIC AS OPTION)
- 7: CONDENSER WATER INLET CONNECTION (VICTAULIC AS OPTION)
- 8: CONDENSER WATER OUTLET CONNECTION (VICTAULIC AS OPTION)
- 9: POWER CONNECTIONS SLOT 150X200

	A N	B O	C	D	E	F	G	H	I	L	M
EWQ090G-SS	2432 0	928 0	1066	426	227	470	221	469	238	371	0
EWQ100G-SS	2432 0	928 0	1066	372	227	470	221	469	238	371	0
EWQ120G-SS	2264 0	928 0	1066	343	231	450	273	469	185	371	0
EWQ130G-SS	2264 0	928 0	1066	306	231	450	273	469	185	371	0
EWQ150G-SS	2264 0	928 0	1066	279	231	450	273	469	185	371	0
EWQ170G-SS	2432 0	928 0	1066	415	231	450	273	469	185	371	0
EWQ190G-SS	2432 0	928 0	1066	383	231	450	273	469	185	371	0
EWQ210G-SS	2432 0	928 0	1066	346	231	450	273	469	185	371	0
EWQ240G-SS	2432 0	928 0	1066	346	231	450	273	469	185	371	0
EWQ300G-SS	2432 0	928 0	1186	348	242	597	330	433	165	371	0
EWQ360G-SS	2432 0	928 0	1186	275	242	597	330	433	165	371	0
EWQ180L-SS	2801 238	928 421	1970	643	258	568	295	245	150	1352	395
EWQ205L-SS	2801 238	928 421	1970	613	258	568	295	245	150	1352	395
EWQ230L-SS	2801 185	928 421	1970	553	258	568	295	245	150	1352	448
EWQ260L-SS	2801 185	928 421	1970	553	258	568	295	245	150	1352	448



LEGEND

- 1: COMPRESSOR
- 2: EVAPORATOR
- 3: CONDENSER
- 4: ELECTRICAL PANEL
- 5: EVAPORATOR WATER INLET CONNECTION (VICTAULIC AS OPTION)
- 6: EVAPORATOR WATER OUTLET CONNECTION (VICTAULIC AS OPTION)
- 7: CONDENSER WATER INLET CONNECTION (VICTAULIC AS OPTION)
- 8: CONDENSER WATER OUTLET CONNECTION (VICTAULIC AS OPTION)
- 9: POWER CONNECTIONS SLOT 150X200

	A N	B O	C	D	E	F	G	H	I	L	M
EWQ290L-SS	2801 185	928 421	1970	492	258	568	295	245	150	1352	448
EWQ330L-SS	2801 185	928 421	1970	492	258	568	295	245	150	1352	448
EWQ380L-SS	2801 185	928 421	1970	432	258	568	295	245	150	1352	448
EWQ430L-SS	2801 185	928 421	1970	351	258	568	295	245	150	1352	448
EWQ480L-SS	2801 185	928 421	1970	351	258	568	295	245	150	1352	448
EWQ540L-SS	2801 165	928 421	2090	351	258	568	295	245	150	1352	468
EWQ600L-SS	2801 165	928 421	2210	230	258	568	295	245	150	1352	468
EWQ660L-SS	2801 165	928 421	2210	230	258	568	295	245	150	1352	468
EWQ720L-SS	2801 165	928 421	2210	230	258	568	295	245	150	1352	468

Warning Installation and maintenance of the unit must be performed only by qualified personnel who have knowledge with local codes and regulations, and experience with this type of equipment. Must be avoided the unit installation in places that could be considered dangerous for all the maintenance operations.

Handling Avoid bumping and/or jolting during loading/unloading unit from the truck and moving it. Do not push or pull the unit from any part other than the basis. Secure the unit inside the truck to prevent it from moving and causing damages. Do not allow any part of the unit to fall during transportation or loading/unloading. Use extreme caution when handling the unit to prevent damage to the control or the refrigerant piping. The unit must be lifted by inserting a hook in each corner, where there are holes for lifting (see the following drawings instruction). During the lifting phase to verify that the ropes and / or the lifting chains do not touch the electrical panel and / or piping. If moving the machine, you had the sleds or skates, push only on the basis of the machine without touching the pipes of copper, steel, compressors and / or the electrical panel.

Location All units are designed for indoor installation. A leveled and sufficiently strong floor is required. If necessary, additional structural members should be provided to transfer the weight of the unit to nearest beams. Rubber-in-shear isolators can be furnished and field placed under each corner of the package. A rubber anti-skid pad should be used under isolators if hold-down bolts are not used. Vibration isolator in all water piping connected to the chiller is recommended to avoid straining the piping and transmitting vibration and noise.

Space requirements Every side of the machine must be accessible for all post-installation maintenance activities. The minimum space required is shown on the following drawing:

Acoustic protection When noise level must meet special requirements, it is necessary to pay the maximum attention to ensure the perfect insulation of the unit from the support base by applying appropriate vibration-dampening devices on the unit, on the water pipes and on the electrical connections.

Storage The environment conditions have to be in the following limits:

Minimum ambient temperature:	-20°C
Maximum ambient temperature:	+57°C
Maximum R.H.:	95% not condensing

The above recommended information are representative of a general installation. A specific evaluation should be done by the contractor case by case.
For complete information refer to the installation manual.

General The unit will be designed and manufactured in accordance with the following European directives:

- Construction of pressure vessel 97/23/EC (PED)
- Machinery Directive 2006/42/EC
- Low Voltage 2006/95/EC
- Electromagnetic Compatibility 2004/108/EC
- Electrical & Safety codes EN 60204-1 / EN 60335-2-40
- Manufacturing Quality Standards UNI – EN ISO 9001:2004

To avoid any losses, the unit will be tested at full load in the factory (at the nominal working conditions and water temperatures). The chiller will be delivered to the job site completely assembled and charged with refrigerant and oil. The installation of the chiller must comply with the manufacturer's instructions for rigging and handling equipment.

The unit will be able to start up and operate (as standard) at full load with:

- evaporator leaving fluid temperature between °C and °C
- condenser leaving fluid temperature between °C and °C

Refrigerant Only HFC 410A can be used.

Performance The unit shall supply the following performances:

- Number : unit(s)
 - Cooling capacity for single unit : kW
 - Power input for single chiller in cooling mode : kW
 - Evaporator heat exchanger entering water temperature in cooling mode : °C
 - Evaporator heat exchanger leaving water temperature in cooling mode : °C
 - Evaporator heat exchanger water flow : l/s
 - Condenser heat exchanger entering water temperature in cooling mode : °C
 - Condenser heat exchanger leaving water temperature in cooling mode : °C
 - Condenser heat exchanger water flow : l/s
- Operating voltage range should be 400V ±10%, 3ph, 50Hz, voltage unbalance maximum 3%, without neutral conductor and shall only have one power connection point.

Unit description The unit shall include as standard: one or two refrigerant circuit, two or four hermetic type rotary scroll compressors (according to the capacity), electronic expansion device (EEXV), refrigerant direct expansion plate to plate heat exchangers, R-410A refrigerant, motor starting components, control system and all components necessary for a safe and stable unit operation.

The chiller will be factory assembled on a robust base frame made of galvanized steel, protected by an epoxy paint.

Sound level and vibrations Sound pressure level at 1 meter distance in free field, hemispheric conditions, shall not exceeddB(A). The sound pressure levels must be rated in accordance to ISO 3744 (other types of rating can not be used). Vibration on the base frame should not exceed 2 mm/s.

Dimensions Unit dimensions shall not exceed following indications:

- Unit length mm
- Unit width mm
- Unit height mm

Compressors The units shall be equipped with:

- High performance hermetic scroll compressors optimized to work with R410a, with reduced vibration and sound emissions. High efficiency values shall be guaranteed:
 - by high volumetric efficiency in the whole range of application, through the continuous contact between the fixed and the orbiting scroll deleting the dead space and the re-expansion of the refrigerant gas;
 - by low pressure drops due to the absence of inlet and discharge valves and to the uniform compression cycle;
 - reduction of the heat exchange between the gas during suction and discharge due to the separation of gas flows;
- The reduced noise shall be obtained:
 - for the absence of the inlet and discharge valves
 - for the uniform compression cycle
 - for the absence of pistons which ensures reduced vibration and pulsation of the refrigerant
- The engine shall be cooled by the suction refrigerant fluid.
- The terminal shall be contained in a casing with protection degree IP 54.
- The compressors shall be provided with crankcase heater to prevent the dilution of refrigerant and oil the during the stops of the unit;
- Shall be present an electronic thermal protection for the three phases complete with sensors on the stator windings to avoid overheating caused by lack of phase, insufficient cooling, mechanical locks, power supply out of tolerance;
- The compressors shall be connected in Tandem on a single refrigerating circuit.
- The compressors shall be fitted on rubber antivibration mounts.
- The compressors shall be provided complete with oil charge.

Evaporator (PHE) The units shall be equipped with a direct expansion plate to plate type evaporator.

- The evaporator will be made of stainless steel brazed plates closed cell polyurethane insulation material (20-mm thick).
- The evaporator will have 1 or 2 refrigerant circuit.
- The evaporator will be manufactured in accordance to PED approval.
- Flow switch must be installed on plant.
- Water filter must be installed on plant.

Condenser (PHE) The units shall be equipped with a plate to plate type condenser.

- The condenser will be made of stainless steel brazed
- The condenser will have 1 refrigerant circuit.
- The condenser will be manufactured in accordance to PED approval.
- Water filter must be installed on plant.

Refrigerant circuit The unit shall have one or two refrigerant circuits according to the capacity.

- The circuits shall include as standard: electronic expansion device piloted by unit's microprocessor control, liquid line shut-off valve, sight glass with moisture indicator, filter drier, charging valves, high pressure switch, high and low pressure transducers and insulated suction line.

Condensation control The controller automatically unloads the circuit when abnormal high condensing pressure is detected. This to prevent the shutdown of the refrigerant circuit (shutdown of the unit) due to a high pressure fault.

Hydronic kit options (on request) The hydronic module shall be integrated in the unit chassis without increasing its dimensions and includes the following elements: centrifugal pump with motor protected by a circuit breaker installed in control panel with pressure gauge, safety valve, drain valve.

- The hydronic module shall be assembled and wired to the control panel.
- The water piping shall be protected against corrosion and insulated to prevent condensation.

Electrical control panel Power and control shall be located in the main panel that will be manufactured to ensure protection against all weather conditions.

- The electrical panel shall be IP54 and (when opening the doors) internally protected against possible accidental contact with live parts.
- The main panel shall be fitted with a main switch interlocked door that shuts off power supply when opening.
- The power section will include compressors and fans protection devices, compressors and fans starters and control circuit power supply.

Controller The controller will be installed as standard and it will be used to modify unit set-points and check control parameters.

- A built-in display will show chiller operating status plus temperatures and pressures of water, refrigerant and air, programmable values, set-points.
- A sophisticated software with predictive logic, will select the most energy efficient combination of compressors, EEXV and condenser fans to keep stable operating conditions to maximize chiller energy efficiency and reliability.
- The controller will be able to protect critical components based on external signals from its system (such as motor temperatures, refrigerant gas and oil pressures, correct phase sequence, pressure switches and evaporator). The input coming from the high pressure switch cuts all digital output from the controller in less than 50ms, this will be an additional security for the equipment.
- Fast program cycle (200ms) for a precise monitoring of the system.

Controller main features Controller shall be guarantee following minimum functions:

- Management of the circuit capacity.
- Chiller enabled to work in partial failure condition (for 2 circuit units).
- Full routine operation at condition of:
 - high thermal load
 - high evaporator entering water temperature (start-up)
- Display of evaporator entering/leaving water temperature.
- Display of condensing-evaporating temperature and pressure, suction superheat for each circuit.
- Leaving water evaporator temperature regulation.
- Compressor and evaporator pumps hours counter.
- Display of Status Safety Devices.
- Number of starts and compressor working hours.
- Optimized management of compressor load.
- Fan management according to condensing pressure (for condenserless units).
- Re-start in case of power failure (automatic / manual).
- Soft Load (optimized management of the compressor load during the start-up).
- Start at high evaporator water temperature.
- Return Reset (Set Point Reset based on return water temperature).
- Set point Reset (optional).
- Application and system upgrade with commercial SD cards.
- Ethernet port for remote or local servicing using standard web browsers.

High Level Communications Interface (on request) The chiller shall be able to communicate to BMS (Building Management System) based on the most common protocols as:

- ModbusRTU
- LonWorks, now also based on the international 8040 Standard Chiller Profile and LonMark Technology
- BacNet BTP certified over IP and MS/TP (class 4) (Native)
- Ethernet TCP/IP.



The present leaflet is drawn up by way of information only and does not constitute an offer binding upon Daikin Europe N.V. Daikin Europe N.V. has compiled the content of this leaflet to the best of its knowledge. No express or implied warranty is given for the completeness, accuracy, reliability or fitness for particular purpose of its content and the products and services presented therein. Specifications are subject to change without prior notice. Daikin Europe N.V. explicitly rejects any liability for any direct or indirect damage, in the broadest sense, arising from or related to the use and/or interpretation of this leaflet. All content is copyrighted by Daikin Europe N.V.



www.eurovent-certification.com
www.certiflash.com

Daikin products are distributed by: